

BIG JAKE™ DUMP TRUCK

**POWER
WHEELS®**



**PLEASE READ THIS MANUAL AND KEEP IT
FOR FUTURE REFERENCE**

This manual contains important information
that you will need to reference.
Please be sure to save your sales receipt.

**IF YOU HAVE QUESTIONS OR NEED ASSISTANCE,
PLEASE CALL TOLL-FREE:
POWER WHEELS CUSTOMER SERVICE
1-800-348-0751**

**Trained Customer Service Representatives
are available to take your call in
English or Spanish.**

**Este manual también
disponible en español.**

FOR MODELS 85700 / 4550 / 74550

TABLE OF CONTENTS

4	ABOUT YOUR OWNER'S MANUAL	17	BATTERY CARE
5	HOW TO OPERATE YOUR BIG JAKE™ DUMP TRUCK	18	BATTERY DISPOSAL
7	RULES FOR SAFE DRIVING	19	ANSWERS TO COMMON QUESTIONS
10	DUMP BED	20	TROUBLE-SHOOTING
12	VEHICLE PERFORMANCE	21	STATEMENT OF LIMITED WARRANTY
12	VEHICLE MAINTENANCE	22	PARTS DIAGRAM
13	BATTERY	23	PARTS LISTING
13	BATTERY HANDLING	24	SERVICE CENTERS
14	BATTERY CHARGING	31	INDEX
16	BATTERY REPLACEMENT		
16	PRESERVING THE BATTERY		

⚠ WARNING

ADULT SUPERVISION NECESSARY.
An unsupervised child operating the vehicle could be seriously, even fatally, injured. Children do not have the judgment necessary to avoid many accidents. Be sure that children operating this vehicle are supervised at all times.



Thank you for buying a Power Wheels® Big Jake™ Dump Truck!

For over twenty-five years, Power Wheels has manufactured high-quality, battery-powered vehicles for children. Our constant goal is to provide your youngster with an enjoyable - and safe - driving experience. To help achieve this goal, ***it is extremely important that you read this entire manual, and share the appropriate information with your child.***

About Your Owner's Manual

Locating Information

For easy reference, your manual contains:

- (1) Table of contents - for quick reference to general topics.
- (2) Index - located at the back of the manual - for quick reference to specific topics listed alphabetically.

Safety Messages and Vehicle Information Notices

Throughout this manual you will find important messages as follows. Please read all of them carefully.

WARNING

WARNING - SIGNALS SOMETHING THAT COULD HURT YOUR CHILD OR YOU. The message explains the hazard and how you can avoid it.

CAUTION

CAUTION - SIGNALS SOMETHING THAT COULD DAMAGE THE VEHICLE. The message explains the risk and how you can avoid it.

NOTE: Is used to highlight useful information about the vehicle.

! CAUTION

Do not operate the vehicle until you have inserted the thermal fuse and charged the BATTERY FOR A MINIMUM OF 18 HOURS THE FIRST TIME.

Failure to do so will permanently damage your BATTERY and VOID YOUR WARRANTY.

! CAUTION

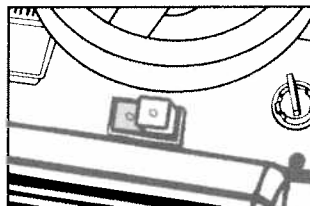
To avoid damage to motors and gears:

- Don't overload the vehicle. The maximum load is one child
- Maximum weight is 65 lbs.
- Maximum load in dump bed is 20 lbs.

! WARNING

- Do not allow children to sit in the dump bed
- Do not tow anything behind the Big Jake™ Dump Truck. The extra weight may overload the vehicle

Make sure the FORWARD/REVERSE switch is in **FORWARD**. (Push the left side of the switch.)



TO GO FORWARD:

Press down on the foot-pedal. Vehicle goes forward at 3-1/2 mph.



TO STOP:

Lift the foot off the foot-pedal. Your Big Jake Dump Truck has a patented, electronic braking system that automatically stops the vehicle when the foot is lifted from the pedal.



Have the child practice so that he or she becomes familiar with the forward speed and automatically knows how to stop.

HOW TO OPERATE YOUR BIG JAKE™ DUMP TRUCK

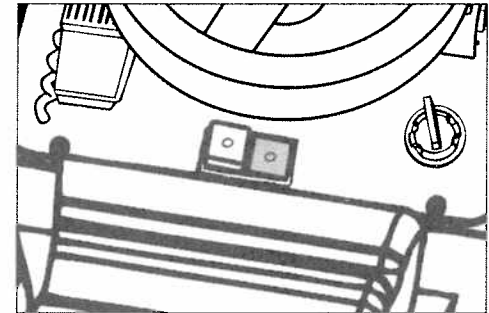
STEERING: You should have your child practice steering to learn how far and how quickly to turn the steering wheel.

Once your child is thoroughly comfortable with operating in the forward mode, introduce the forward/reverse switch.

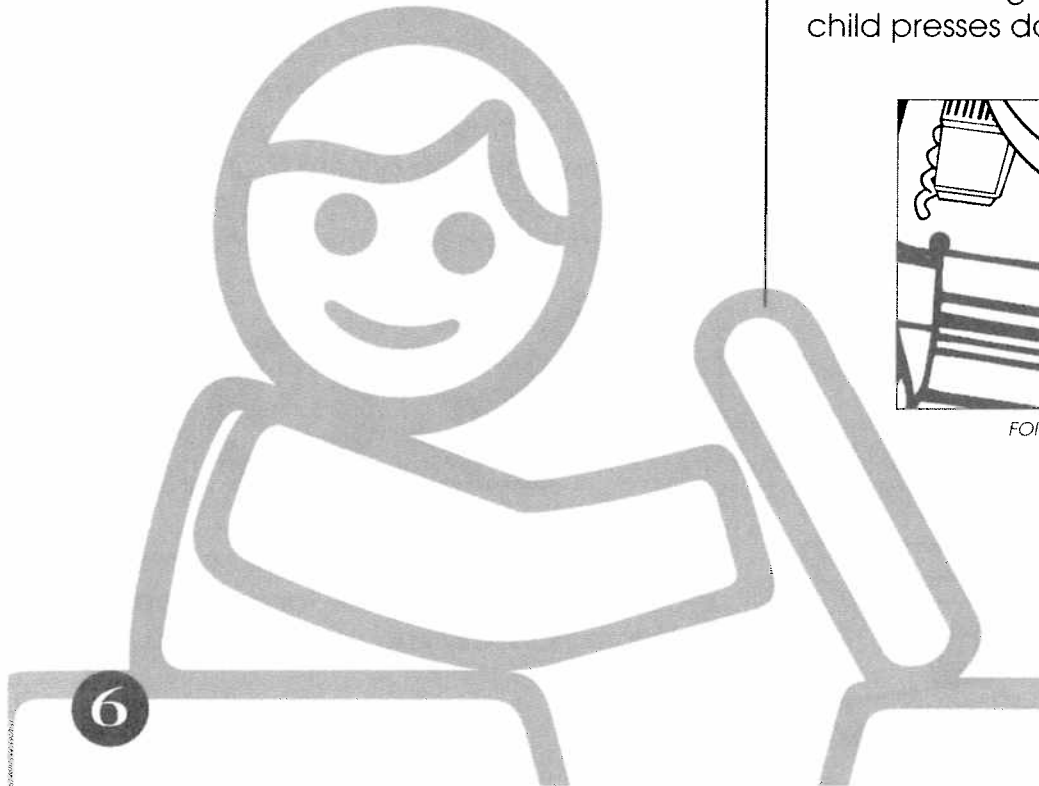
REVERSE: Depress the right side of the forward/reverse switch, and the vehicle is set to go in reverse (3-1/2 mph) when the child presses down on the foot pedal.

Stop vehicle before switching direction.

Depress the left side of the switch. The vehicle will again go forward when the child presses down the foot-pedal.



FORWARD-REVERSE SWITCH



RULES FOR SAFE DRIVING

ADULT SUPERVISION REQUIRED

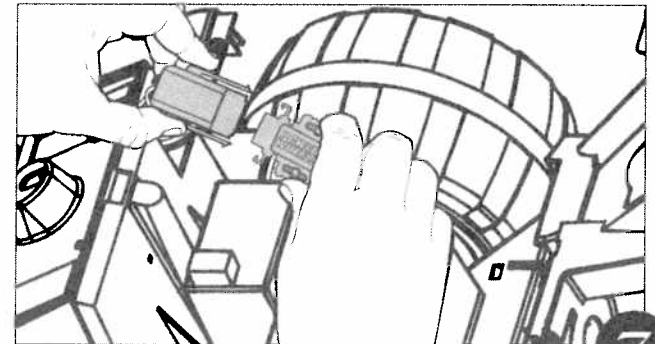
This section of the manual discusses how to help make your child's driving experience enjoyable and safe. Please read this section carefully, and pay special attention to all safety instructions below. While children can quickly develop the skill necessary to drive the vehicle, it is important to remember that their judgment skills are still very immature.

Unsupervised driving by children can lead to serious injury. Children are not always able to recognize or anticipate hazards, even when they have been taught about them. There is no acceptable substitute for adult supervision.

WARNING

Always supervise a child's driving. Improper use of this vehicle could lead to a serious or fatal accident. Allow a child to play with this Big Jake™ Dump Truck only when you have determined that he/she can do so safely. Follow all instructions below to help the child enjoy this vehicle as

Prevent unsupervised use. To prevent unsupervised driving, it is a good idea to disconnect the motor harness from the battery. Just unlatch the front cab and unplug the motor harness.



REVIEW SAFETY RULES WITH CHILDREN

Review appropriate safety rules with your children. These rules should also be reviewed with neighbor children or other playmates who want to drive or ride. Before the children use the Big Jake™ Dump Truck, the adult should carefully evaluate the driving area as well as the children's ability.



1. Do not permit any child to drive the Power Wheels® vehicle in the street or near moving, adult vehicles. Driving the Power Wheels vehicle in areas of motorized traffic is very dangerous. Always supervise the child's driving and monitor the driving area.
2. Do not permit any child to drive near bodies of water (such as pools or creeks), obstructions (such as furniture, low tree limbs or play equipment), or drop-offs (such as stairs or decks).
3. Forbid driving in the dark. A child could encounter unexpected obstacles and have an accident. Operate the vehicle only in the daytime or in a well-lighted area.
4. Teach the child to avoid driving on inclines or slopes. Restrict the child's driving to areas that are level. Driving down a slope, the vehicle may gain unsafe speed even if the foot pedal is released to stop.

RULES FOR SAFE DRIVING

- Driving across a slope, the vehicle may tilt and tip over. The wheels could lose traction causing the vehicle to slip.
 - Driving up an incline the motor may stop and the vehicle could roll backwards at an unsafe speed.
- 5.** Operate this vehicle with no more than one child. Children sitting on other places or standing on the vehicle could fall off the vehicle, cause a tip-over or block the driver's view. A child could be seriously injured.
- 6.** Watch out for moving parts. Children must never put anything near any moving parts while the vehicle is in operation. Rotating parts, such as motors, gear boxes and wheels, can snag fingers, hair, etc., and pull them into compression points causing serious injury. Do not permit operation of vehicle on its side or in an upside-down position.

RULES FOR SAFE DRIVING

MONITOR SAFE DRIVING CONDITIONS

An ideal driving-area maximizes play value and safety. It should be:

- Protected from any and all motorized traffic.
- Flat and level.
- An area with an appropriate surface. The Big Jake™ Dump Truck vehicle can operate on multiple surfaces such as grass, asphalt and hard-packed dirt. Avoid loose dirt, debris, sand and gravel.

- A driving area free of any hazards such as obstructions, drop-offs and bodies of water.

A safe driving-area is far away from flammable vapors (gasoline, paint thinner, acetone, liquid wax, etc.). The foot-pedal switch, like most electrical switches, emit an internal spark when first turned on. In the presence of flammable liquids or vapors, you could have an explosion or a fire. Keep all such products in tightly sealed containers and away from the vehicle.

DUMP BED

The dump feature of this vehicle has been designed with your child's safety in mind. But please remember: **The most important safety device is an alert adult present at all times.**

The Big Jake™ has a self-dumping feature set to trigger automatically if the load in the center of the dump bed exceeds 20 lbs. Overloading can also cause damage to motors and gearboxes or excessive tripping of the circuit breaker.

10



WARNING

Do not try to defeat the self-dumping feature. This could cause too much weight in the dump bed, possibly resulting in instability, tipover and severe injury to a child. Do not allow overly large, sharp or unwieldy items in the dump bed. They could cause instability and injury. Do not modify the Big Jake by adding parts such as a tailgate or by repositioning parts. Modifications could defeat the safety features built into this truck.

DUMP BED

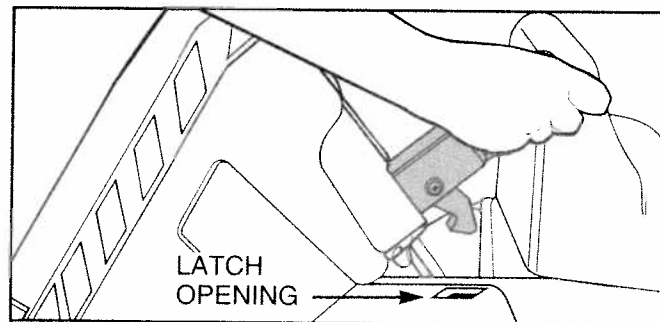
OPERATING THE DUMP FEATURE

Before any child uses the Big Jake, review these guidelines with your children for safer operation of the dump feature:

- No children or animals in the dump bed
- No more than 20 lbs. in the dump bed
- No leaning over dump bed while it is operated
- Nobody standing directly behind the vehicle while loading or dumping
- No parts of your body under dump area or between dump and seat

TO OPERATE

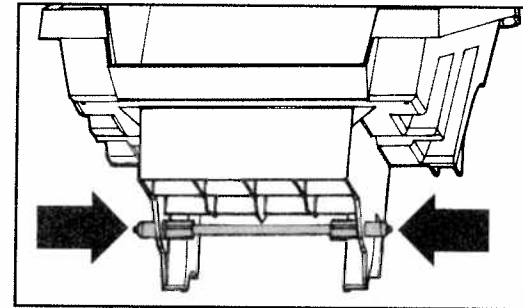
- To dump the load - squeeze handle on the fender, and pull up. Keep fingers out of latch opening (Illustration)
- Before re-loading the dump bed, push down to latch back into place



CLEANING THE DUMP AREA

Regular cleaning under the dump bed area will prevent excessive dirt from coming in contact with motors and gearboxes. To remove dump bed:

- Place dump bed in the dumping position
- Squeeze bullets toward center of dump bed (Illustration)
- Lift dump bed off the vehicle



Clean area with a vacuum or wipe with a cloth. **DO NOT SPRAY WITH WATER.** Replace dump bed by squeezing bullets toward center, align with slots and lock into place.

VEHICLE PERFORMANCE

WARNING

Battery and hood of truck provide weight needed for vehicle stability. Do not move battery to another location. Refasten hood before operating truck.

Several conditions affect the performance of your vehicle and the length of operating time, including:

- Driving surface
- Passenger weight
- How thoroughly the battery is charged

- Whether the vehicle is used intermittently or continuously

SWITCHES

Do not allow the vehicle switches to get wet.

CAUTION

Avoid operating the vehicle in water, and do not spray the vehicle with a hose. Avoid operating the vehicle in loose dirt. Water and/or loose dirt in the switches can cause them to corrode or jam which could cause switch failure.

NOTE: This vehicle has a special circuit-breaker in the wiring to protect the motors and electrical system. If the vehicle is put under extreme load (driving on rough surfaces, too much weight, climbing too steep an incline), the circuit-breaker will shut the electrical system down for up to 20 seconds. However, if the system repeatedly shuts down, the driving conditions may be too demanding (i.e., too steep or the load too heavy).

VEHICLE MAINTENANCE

PERIODIC CHECK-UPS

To ensure that your vehicle stays in good operating order, we recommend that you have your vehicle checked by an Authorized Power Wheels® Service Center. See page 24 for the list of Authorized Service Centers or call 1-800-348-0751 for the location of the Center nearest you.

CLEANING THE VEHICLE

The vehicle can be wiped down with a soft, dry cloth. Do not use automotive wax. Do not spray with a hose.

STORING THE VEHICLE

During snowy or rainy weather, the vehicle should be stored inside or under a protective cover.

BATTERY

WARNING

Alterations to this vehicle could cause a fire resulting in injury. Alterations could also ruin the electrical system. This vehicle and its electrical system should never be altered in any way. Never add unauthorized parts to the vehicle. Never use unauthorized substitute parts. *Use only genuine Power Wheels® replacement parts. Failure to do so may damage the vehicle and void the warranty.*

Your vehicle is powered by a Power Wheels Type H battery, which can be recharged with the Power Wheels Type H charger included with your purchase. **Use only Power Wheels specified batteries, fuses and chargers with Power Wheels vehicles.**

BATTERY HANDLING

WARNING

BATTERY MUST BE HANDLED BY ADULTS ONLY.

The battery is heavy and contains sulfuric acid (electrolyte), and if dropped could result in serious injury.

Read the cautions on the back panel of the battery.

Never permit a child to handle battery.

IF A BATTERY LEAK DEVELOPS:

- Avoid contact with the leaking acid.
- Place the damaged battery in a plastic bag. (See page 18 for proper battery disposal.)

IF ACID COMES IN CONTACT WITH SKIN OR EYES:

- Flush with cool water for at least 15 minutes.
- Call a physician.

IF ACID IS INTERNALLY INGESTED:

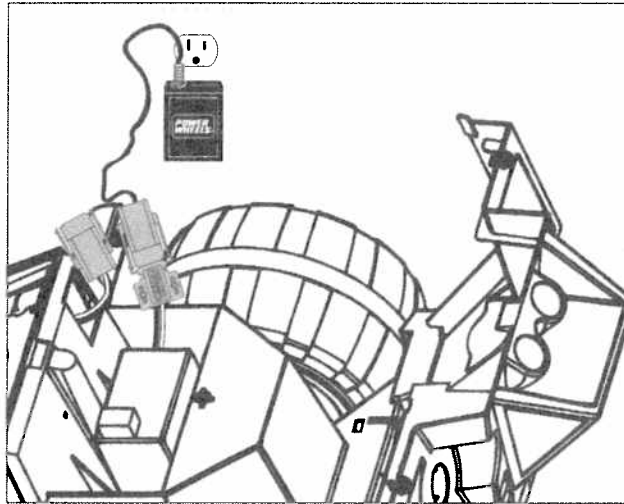
- Give plain water, milk of magnesia or egg whites immediately.
- Do not give emetics or induce vomiting.
- Call a physician.

BATTERY CHARGING

WARNING

**BATTERY CHARGING MUST BE DONE
BY ADULTS ONLY.**

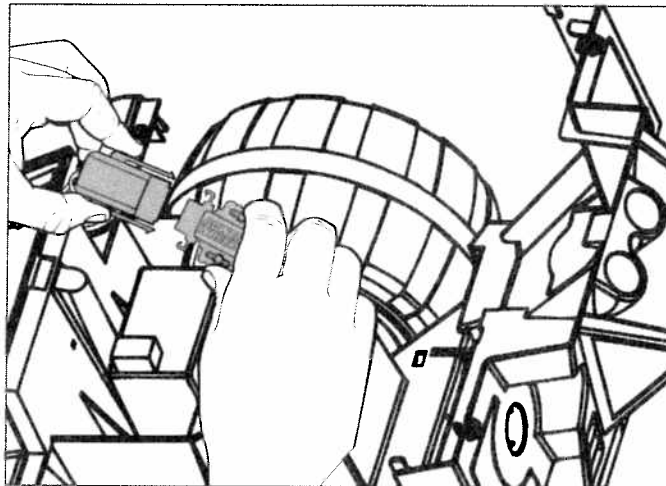
A child could be injured by the
electricity involved in charging a battery.
*Never permit children to
charge the battery.*



BATTERY CHARGING

STEP 1: Unlatch front cab to gain access to the battery. Be sure that a thermal fuse is installed.

STEP 2: Unplug motor harness from battery connector.



STEP 3: Plug connector on charger to connector on battery.

STEP 4: Plug charger into standard 110 volt wall outlet. (If outlet is controlled by a wall switch, be sure it is on.)

STEP 5: Recharge battery for 18 hours before first use, and for a minimum of 14 hours after that. **Do not charge longer than 30 hours.** If charging more than 30 hours is done repeatedly, it will:

- shorten battery life
- decrease vehicle running time

NOTE: While the battery is charging the charger may become warm to the touch. This is a normal condition and does not indicate a problem.

BATTERY REPLACEMENT

Replacement batteries, chargers, and fuses must be specified Power Wheels® parts. To replace these items, contact:

- the store where you purchased the vehicle
- an Authorized Service Center (see page 24), or
- Power Wheels Customer Service: 1-800-348-0751

PRESERVING THE BATTERY

Rechargeable batteries do not last forever. The life of the battery depends on the following factors:

- how well you follow the battery care instructions
- the total number of hours the battery is used



WARNING

Do not lift or carry the battery by the wires or connectors. This can damage the battery and possibly cause a fire. ***Lift and carry the battery by the case only.***



CAUTION

Leaving the battery in a discharged condition will ruin it. Battery must be charged once a month, even if the vehicle is not used. Follow the battery-care instructions carefully to obtain the best battery life.

BATTERY CARE

- Charge new battery for 18 hours before first use.
 - After the first charge, always recharge battery for a minimum of 14 hours.
 - Charge the battery after each use, regardless of how long the vehicle was used. This battery is not a nicad battery and *should not* be run down completely before charging.
 - Do not recharge battery longer than 30 hours. This could shorten battery life and decrease vehicle riding time.
 - Do not allow the battery to run down completely (until the vehicle does not move).
- Charge battery for 18 hours before storing vehicle. Charge battery for 18 hours once a month even if vehicle is not used.
 - Do not store battery in temperatures above 75° F or below -10° F.
 - Never allow the battery to move freely inside the battery compartment. Check the battery each time you recharge the vehicle.
 - Examine charger and battery periodically for wear and damage. If damage is detected, charger and/or battery should not be used and should be replaced.

BATTERY DISPOSAL

- THIS SEALED LEAD-ACID BATTERY MUST BE COLLECTED, RECYCLED OR DISPOSED OF IN AN ENVIRONMENTALLY SOUND MANNER.
- The incineration, landfilling or mixing of sealed lead-acid batteries with the municipal solid waste stream is **PROHIBITED BY LAW** in most areas.
- Return this battery to a federal or state approved lead-acid battery recycler. This may be a Power Wheels® Authorized Service Center or a local seller of automotive batteries. **In MINNESOTA call 1-800-348-0751 if further disposal information is required;** or
- Contact your local waste management officials for other information regarding the environmentally sound collection, recycling and disposal of this battery.

ANSWERS TO COMMON QUESTIONS

- Q.** How often do I need to charge the battery?
- A.** Unlike a nicad battery, the Power Wheels® lead-acid battery has no memory. It's best to charge the battery after each vehicle use, or whenever the vehicle begins to slow down. When the vehicle is not in regular use, recharge the battery once a month until normal use is resumed.
- Q.** How much riding time should I get after recharging the battery?
- A.** From one to three hours of playtime per recharge. The riding time is affected by the riding surface (soft, hard, smooth, rough, flat) and the weight the vehicle carries. Riding time is also affected by how well the battery was recharged.
- Q.** What is the life expectancy of the battery?
- A.** Battery life depends on how well you follow the recharging instructions. It's also affected by the total number of hours the battery is used.
- Q.** Does the fuse have to be in when I'm charging?
- A.** Yes! The battery must have a good fuse installed when recharging and during use.
- Q.** How can I tell if the charger is working?
- A.** If your charger becomes warm to the touch when it is plugged in, then it is probably working. However, some chargers do not get warm. So even if yours is not warm, it still may be working.
- Q.** If I have a problem that I can't solve myself, what should I do?
- A.** Power Wheels has over 300 Authorized Service Center locations. They can repair vehicles under warranty, or out of warranty, or sell you the proper parts for you to do the repair work. These service centers have factory-trained personnel, and use only genuine Power Wheels replacement parts. If there is not an Authorized Service Center in your area, call Power Wheels Customer Service toll-free: 1-800-348-0751.

TROUBLE-SHOOTING

If the vehicle fails to operate, do not return it to the retail store. Complete the following check list.

FIRST: CHECK THE FOLLOWING LIST.

Vehicle is missing parts:

- Call 1-800-348-0751 (See page 22).

Vehicle has stopped running:

- Is thermal fuse installed in the battery?
- Are the wiring connections secure?

Vehicle runs sluggishly:

- Was the battery recharged for 14 hours with a good fuse installed?

Vehicle continuously blows fuse:

- Are you using a thermal fuse?
- Are the motor wires securely attached?
- Are the driving conditions too demanding for the vehicle? (See page 12.)
- Is the child switching from forward to reverse without coming to a complete stop first?

Dump bed unlatches by itself:

- 20** • Is the dump bed over-loaded (with more than 20 lbs.)?

- This is a normal feature of the vehicle as a safety precaution to prevent over-loading.

Traction Difficulties:

- To improve traction, we suggest adding 5 pounds to the compartment under the seat. Add weight **ONLY** under the seat. As the child grows, the extra weight can be decreased or eliminated.

SECOND: If, after completing the checklist, the vehicle still fails to operate, please contact your nearest Authorized Service Center (See page 24). Or contact Power Wheels Customer Service toll-free 1-800-348-0751.

HINT: For faster service when calling Customer Service, charge battery for 18 hours before calling, and have the following available by the phone:

- The vehicle.
- Vehicle model number (see sticker in battery compartment).
- Vehicle production run number (see sticker in battery compartment).
- Phillips and flathead screwdrivers plus pliers.

STATEMENT OF LIMITED WARRANTY

90-DAY LIMITED WARRANTY FOR THE POWER WHEELS® RIDE-ON TOY VEHICLE.

A 6-MONTH BATTERY WARRANTY APPLYING ONLY TO THOSE 6-VOLT BATTERIES WHICH WERE INCLUDED BY POWER WHEELS, WITH THE POWER WHEELS VEHICLE WHEN ORIGINALLY PURCHASED.

This limited warranty covers the Power Wheels ride-on vehicle and the 6-volt battery, purchased from Power Wheels by the original purchaser, against defects in materials and workmanship. This warranty covers normal use and does not cover the Power Wheels vehicle or battery if it has been damaged by unreasonable use, neglect, accident, abuse, misuse, improper service or other causes not arising out of defects in materials or workmanship. This warranty does not cover, and is intended to exclude, any liability on the part of Power Wheels, whether under this warranty or implied by law or any indirect or consequential damages for breach of warranty. Some states do not allow the exclusion or limitation so this limitation may not apply to you.

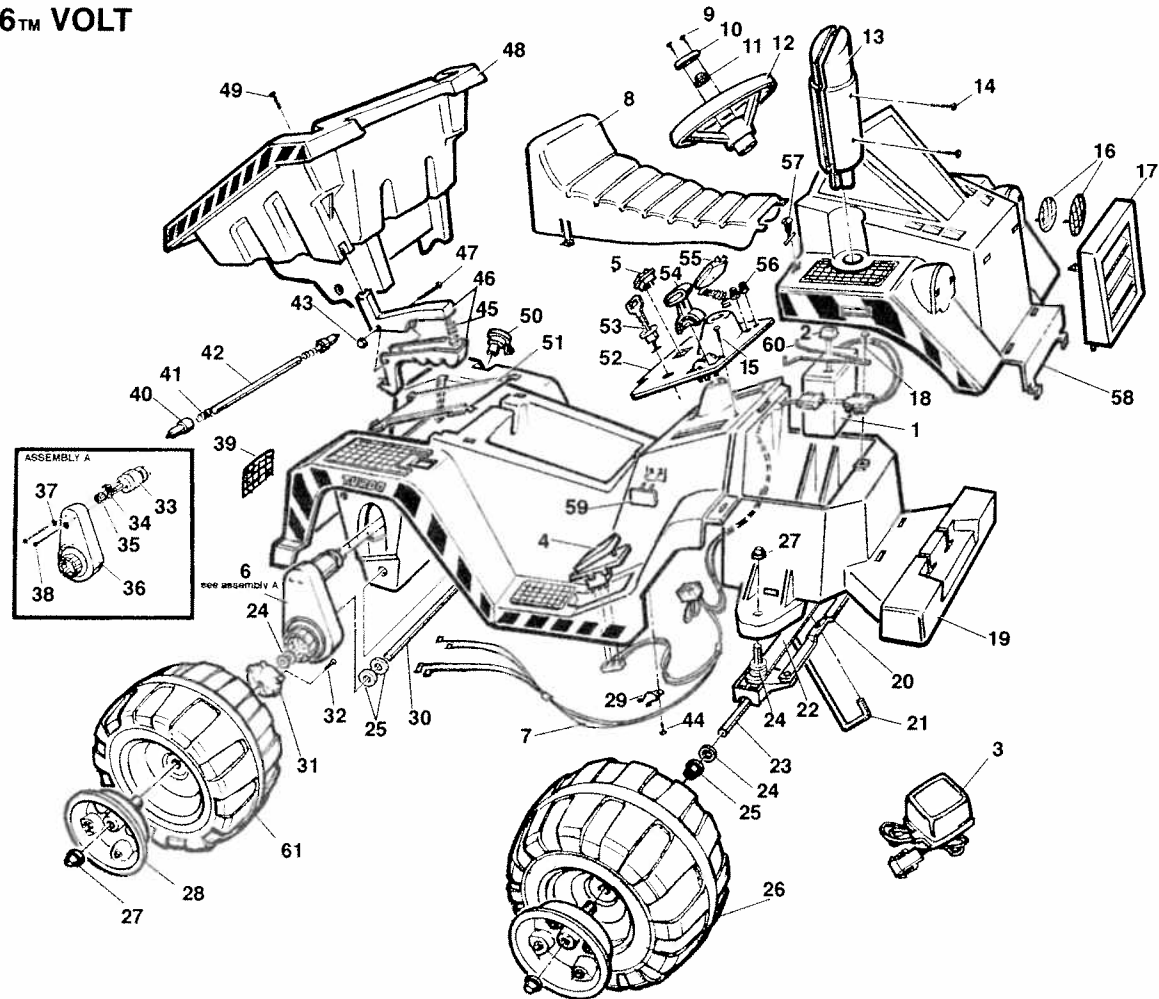
Should you need service or assistance with your vehicle during the warranty period, DO NOT RETURN THE VEHICLE TO THE STORE. Power Wheels has provided a nationwide network of Authorized Service Centers. Please refer to the list in this manual. Power Wheels is continually expanding our Authorized Service Center network. If there is not one in your area, please call Customer Service for information, 1-800-348-0751.

This warranty gives you specific legal rights, and you may also have other rights which may vary from state to state.

YOU MUST FILL OUT AND RETURN THE ENCLOSED WARRANTY REGISTRATION CARD WITHIN SEVEN (7) DAYS FROM THE DATE OF PURCHASE.

PARTS DIAGRAM

BIG JAKE™ DUMP TRUCK FOR MODELS 85700 /4550 /74550 SUPER 6™ VOLT



PARTS LISTING

Item No.	Description	Part No.	Qty.	Item No.	Description	Part No.	Qty.
1	Battery, 6 volt	80110	1	37	Star Washer	61.030010	4
2	Fuse, Thermal	14.17	1	38	Motor Bolt	060023	4
3	Charger, Super 6	040087	1	39	Tail Light Guard Set	300045	1
4	Footboard Assembly	230082	1	40	Hinge Bullet	010395	2
5	Control Switch	140029	1	41	Hinge Spring	660012	2
6	Motor/Gearbox Assembly	260093	2	42	Dump Pivot Pin	010390	1
7	Wiring Harness Assy. (Incl. #5)	640141	1	43	Acorn Nut	400008	1
8	Seat	670042	1	44	#8 x 1/2" Screw	060021	1
9	#8 x 1" Screw	6.080032	2	45	Latch Spring	660013	1
10	Steering Wheel Button	56.098247	1	46	Latch Handle	470043	1
11	.354 Retainer	47.035420	1	47	#10 x 1-1/4" Shoulder Bolt	6.1032408S	1
12	Steering Wheel	560049	1	48	Dump Bed	050265	1
13	Exhaust Stack	010389	1	49	#10 x 1" Screw	060013	1
14	#6 x 1-1/2" Screw	060015	2	50	Gas Cap	010388	1
15	#8 x 3/4" Screw	6.0800248	4	51	Motor Cover	390041	1
16	Headlight Guard/ Lens Assembly Set	300107	1	52	Dash	160041	1
17	Grill	650038	1	53	Key/Housing Assembly	010281	1
18	Truss Hd #8 x 7/8" Screw	6.0800281	2	54	Shift Lever	010444	1
19	Main Body (Incl. #50 & 59)	050299	1	55	Microphone	380009	1
20	Steering Linkage	550075	1	56	Radio Knobs	450018	2
21	Steering Column	540049	1	57	Clip Fastener	470041	2
22	Cross Bar	530015	1	58	Front Body	050267	1
23	Front Axle	250052	2	59	Power Wheels Emblem Set	010422	1
24	7/16" Washer	61.0437	8	60	Battery Retainer	470034	1
25	7/16" Round Bushing	9.4375	6	61	Rear Wheel	620052	2
26	Front Wheel	620051	2	62	#8 x 1/2" Screw	060021	1
27	.437 Retainer	47.043720	6	PARTS NOT SHOWN			
28	Hubcap	330038	4		Decal Sheet	170269	1
29	Harness Retainer	470031	1		Literature Bag	340633	1
30	Rear Axle	460106	1				
31	Driver	010171	2				
32	#10 x 1/2" Screw	060017	2				
33	Motor	390040	2				
34	D-Lock Washer	61.000051	2				
35	Motor Drive Gear	260020	2				
36	Gearbox	260057	2				

INDEX

A					
Adult Supervision		3, 7			
Authorized Service Centers		24 - 29			
Alterations					
Warning notice		13			
B					
Battery					
Acid - contact or ingested		13			
Care caution		16			
Care		17			
Damage warning		16			
Disposal		18			
Handling warning		13			
Leak		13			
Life expectancy		19			
Preserving		16			
Replacement caution		16			
Specified type		13			
Storing		17			
Where to purchase		16			
C					
Charging					
Adults only warning		14			
Charger warmth		15			
First time charge		5, 15			
Minimum charge time		5			
Maximum charge time		15			
How often		19			
How-to-charge steps		15			
Check-ups, Periodic		12			
Circuit Breaker		11			
Cleaning the Dump Bed		11			
Cleaning the Vehicle		12			
Conditions					
Water caution		12			
Loose dirt caution		12			
Customer Service					
Free 800 number		16			
Faster service - hints		20			
D					
Dump Bed					
Cleaning		11			
Maximum load		11			
Operating		11			
Warning		10			
E					
Electrical System					
Alterations warning		13			
F					
Forward/Reverse Switch					
		5			
Fuse					
Caution		5			
Continuously blows		20			
Size, kind		5, 15			
L					
Loading Caution					
		5			
Maximum load		5			
Maximum weight		5			
Towing		5			
N					
Notices - Warning and Caution					
		4			
O					
Operating the Vehicle					
		5, 6			
Forward		5			
Reverse		6			
Steering		6			
Stopping		5			
Operating Time		12			
P					
Parts					
Diagram		22			
Listing		23			
Missing		20			
Replacement		20			
Performance					
Conditions affecting		12			
Passenger weight		12			
Surface		12			
Battery charging		12			
Time used		12			
Problems					
Continuously blows fuse		20			
Customer Service		20			
Dump bed unlatches		20			
Runs sluggishly		20			
Vehicle stops running		20			
R					
Reverse					
Operation		6			
Speed		6			
Switch		6			
Rules for Safe Driving		7 - 10			
Monitor driving conditions		10			
Review with children		8			
S					
Statement of Limited Warranty					
		21			
Supervision of Children Warning					
		3, 7			
Switches					
Forward		5			
Reverse		6			
Water, loose dirt caution		12			
T					
Trouble-Shooting					
		20			
U					
Unsupervised Use					
Prevention of		7			
V					
Vehicle					
Check-ups		12			
Cleaning		12			
Storing		12, 17			
W					
Water					
Caution Notice		12			



**CUSTOMER SERVICE TOLL-FREE 1-800-348-0751
POWER WHEELS, FORT WAYNE, INDIANA 46896-0700**