



Product features and decoration may vary from the picture above.

JEEP and the Jeep grille design are registered trademarks of DaimlerChrysler Corporation and are used under license. ©DaimlerChrysler Corporation.  
Goodyear (and winged foot design) and Wrangler (for tires) are trademarks of The Goodyear Tire and Rubber Company, used with permission.  
Fisher-Price, Power Wheels by Fisher-Price, and Power Lock are U.S. trademarks of Mattel, Inc.

# Jeep *Lil'* WRANGLER 4x4

## Owner's Manual with Assembly Instructions

Please read this manual and save it with your original sales receipt.

For Model 74598

Tools needed for assembly: Phillips Screwdriver, Hammer, Slotted Screwdriver,  
and Safety Scissors (tools not included).

Use only with a Power Wheels® Type H 6 Volt Battery, a Power Wheels® 25 Amp Fuse  
and a Power Wheels® Type H 6 Volt Charger (all included).

[www.fisher-price.com](http://www.fisher-price.com)

# Table of Contents

A	Important Information	.2
B	Warnings and Cautions	.3
C	Parts	.4
D	Parts Diagram	.6
E	Battery Charging	.7
F	Assembly	.9
G	Label Decoration	.15
H	Battery Installation and Battery Clamp (Engine Cover) Assembly	.16
I	Battery Care and Disposal	.17
J	Rules for Safe Driving	.18
K	How to Operate Your Vehicle	.19
L	Caring for Your Vehicle	.19
M	Problems and Solutions Guide	.20
N	Statement of Limited Warranty	.24
O	Authorized Service Centers	.25

## A

## Important Information

- Your new vehicle requires adult assembly. Please set aside at least 45 minutes for assembly.
- You must charge your battery for 18 - 30 hours **before you use your vehicle for the first time**. We recommend that you start charging your battery before beginning assembly. Please see Battery Charging beginning on page 7 for detailed instructions.
- Read this manual carefully for important safety information and operating instructions before using your vehicle. Please keep this manual for future reference as it contains important information.
- This vehicle is designed for use on asphalt and other hard surfaces; on generally level terrain; and by children 1½ - 4 years of age.
- Make sure children know and follow these rules for safe driving and riding:
  - always sit on the seat.
  - always wear shoes.
  - only 1 (one) rider at a time.
- To prevent damaging the motors and gears, teach your child to stop the vehicle before switching between forward and reverse. Do not tow anything behind the vehicle or overload it. Do not exceed the maximum weight capacity of 50 lb (23 kg).
- If you have any questions about your Power Wheels® vehicle, please call our toll-free service lines at **1-800-348-0751** from 8 AM to 6 PM (EST) Monday through Friday. Trained customer service representatives are available to take your call in English or French. Habla Español? Si usted tiene alguna pregunta ónecesita asistencia llame gratis **1-800-348-0755** para los Estados Unidos. Tenemos representantes que hablan español para atender su llamada.
- For your convenience, Power Wheels® maintains an Authorized Service Center Network with more than 400 authorized service centers nationwide. Our authorized service centers will repair or replace parts under warranty at no extra charge, and can perform non-warranty repairs for a minimal charge. Please see the Authorized Service Center list beginning on page 25 to find the authorized service center nearest you, or call **1-800-348-0751**.
- Please complete and return the enclosed Registration Card today, or call **1-800-348-0751** to register your vehicle by phone.

**ELECTRICAL HAZARD** **WARNING**

- Battery can fall out and injure a child if vehicle tips over. Always use battery clamp.
- **PREVENT FIRE**
  - Do not bypass a Power Wheels® fuse. It is a safety device.
  - Use only a Power Wheels® 25 Amp fuse.
  - Never modify the electrical system. Alterations could cause a fire resulting in serious injury and could also ruin the electrical system.
  - Use of the wrong type battery, fuse or charger could cause a fire or explosion resulting in serious injury.
  - Use of Power Wheels® components in products other than Power Wheels® vehicles could cause overheating, fire or explosion.
- The battery must be handled by adults only. The battery is heavy and contains sulfuric acid (electrolyte). Dropping the battery could result in serious injury.
- Never allow children to charge the battery. Battery charging must be done by adults only. A child could be injured by the electricity involved in charging the battery.
- Never lift or carry the battery by the wires or connector. This can damage the battery and possibly cause a fire resulting in serious injury. Lift and carry the battery by the case only.
- Read the safety instructions on the battery.
- Examine the battery, charger and their connectors for excessive wear or damage each time you charge the battery. If damage or excessive wear is detected, do not use the charger or the battery until you have replaced the worn or damaged part.
- **HOT** motors. Handle carefully.

**RIDING HAZARD** **WARNING**

- **Prevent Injuries and Deaths**
  - Direct Adult Supervision Required
  - Keep Children Within Safe Riding Areas.  
These areas must be:
    - away from swimming pools and other bodies of water to prevent drownings
    - generally level to prevent tipovers
    - away from steps, driveways, roads and alleys.

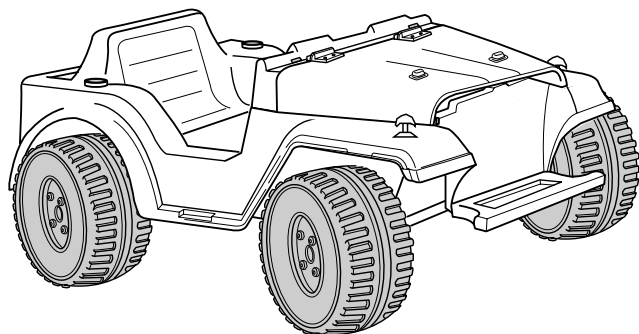
 **CAUTION**

- In the unassembled state, this package contains small parts. Adult assembly is required.
- Use the charger in dry locations only.

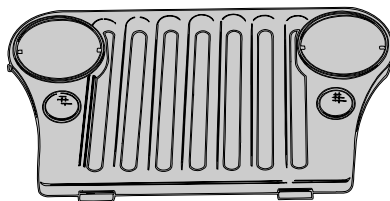
# C

## Parts

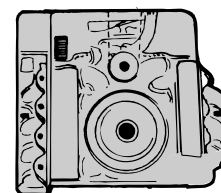
- If you experience a problem with this product, or are missing a part, please call us at **1-800-348-0751**, rather than return this product to the store.
- Please identify all parts before assembly and save all packaging material until assembly is complete to ensure that no parts are discarded.
- Metal parts have been coated with a lubricant to protect them during shipment. Wipe all metal parts with a paper towel to remove any excess lubricant.



Vehicle Body (with Dash and Hood)



Grille



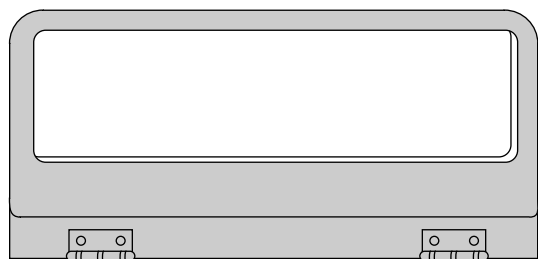
Battery Clamp  
(Engine Cover)



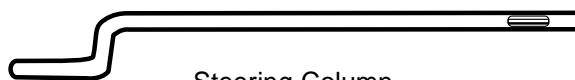
Windshield



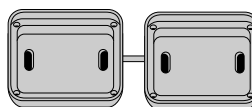
Sport Bar



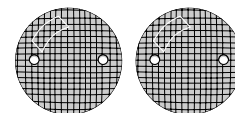
Windshield Frame



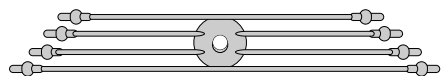
Steering Column



Taillight Housing Set



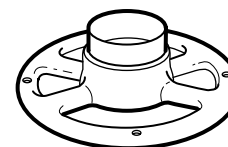
Headlight Lens - 2



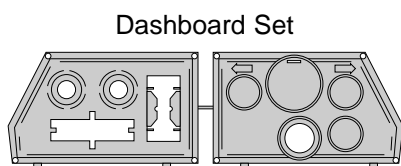
Spark Plug Wires



Sport Bar Cover Set



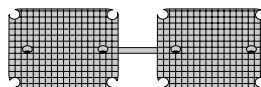
(Bottom Half)



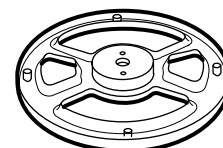
Dashboard Set

Activity  
Panel

Instrument  
Panel



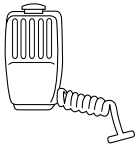
Taillight Lens Set



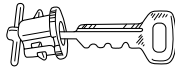
(Top Half)

Steering Wheel

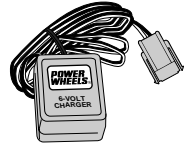
# Parts



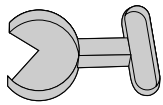
Microphone



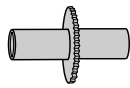
Key Assembly



6 Volt Charger



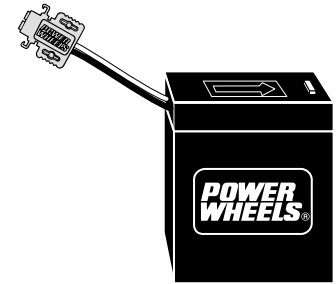
Shifter



Radio Dial



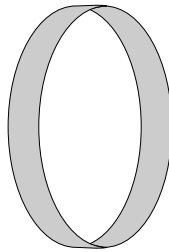
25 Amp Fuse - 1\*



6 Volt Battery



Steering Wheel Cap



Traction Band - 4



Gas Cap Assembly



Radio Knob - 2

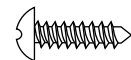
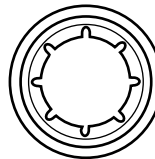
**Not Shown:** Label Sheets - 2



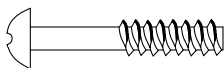
#8 x 1" Screw - 12



Cap Nut - 2\*



#6 x 1/2" Screw - 11



#8 x 18 x 1" Screw - 2



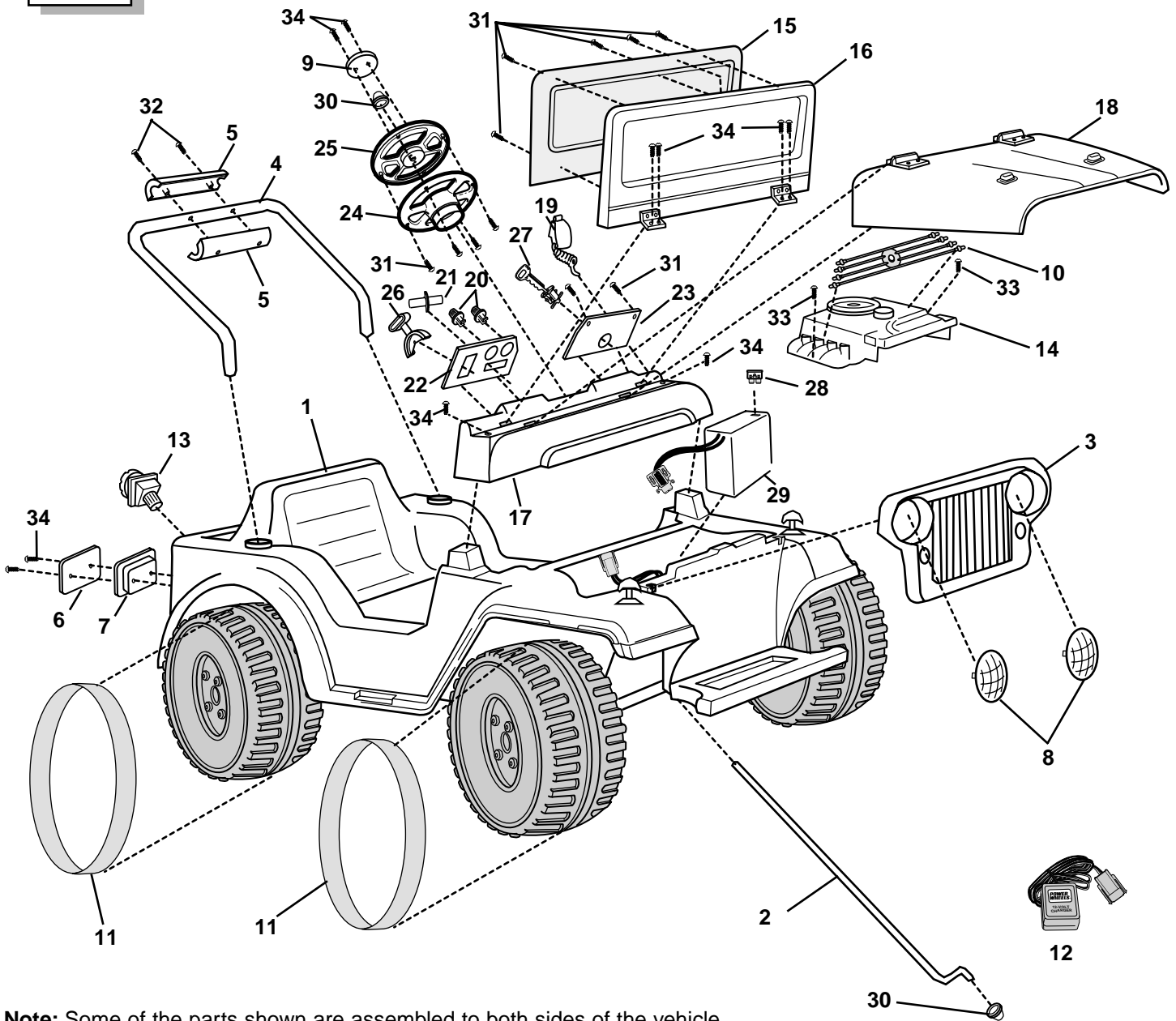
#6 x 1 1/2" Screw - 2

**All Shown Actual Size**

\*For your convenience, an extra 25 amp fuse and cap nut have been included.

# D

## Parts Diagram



**Note:** Some of the parts shown are assembled to both sides of the vehicle.

- |                           |                                  |                            |
|---------------------------|----------------------------------|----------------------------|
| 1. Vehicle Body           | 14. Battery Clamp (Engine Cover) | 26. Shifter                |
| 2. Steering Column        | 15. Windshield                   | 27. Key Assembly           |
| 3. Grille                 | 16. Windshield Frame             | 28. 25 Amp Fuse            |
| 4. Sport Bar              | 17. Dash                         | 29. Type H 6 Volt Battery  |
| 5. Sport Bar Cover Set    | 18. Hood                         | 30. Cap Nut - 2            |
| 6. Taillight Lens - 2     | 19. Microphone                   | 31. #6 x 1/2" Screw - 11   |
| 7. Taillight Housing - 2  | 20. Radio Knob - 2               | 32. #6 x 1 1/2" Screw - 2  |
| 8. Headlight Lens - 2     | 21. Radio Dial                   | 33. #8 x 18 x 1" Screw - 2 |
| 9. Steering Wheel Cap     | 22. Activity Panel               | 34. #8 x 1" - 12           |
| 10. Spark Plug Wires      | 23. Instrument Panel             |                            |
| 11. Traction Band - 4     | 24. Steering Wheel - Bottom Half | <b>Not Shown</b>           |
| 12. Type H 6 Volt Charger | 25. Steering Wheel - Top Half    | Label Sheet - 2            |
| 13. Gas Cap Assembly      |                                  |                            |

**ELECTRICAL HAZARD** **WARNING**

- Battery can fall out and injure a child if vehicle tips over. Always use battery clamp.
- **PREVENT FIRE**
  - Do not bypass a Power Wheels® fuse. It is a safety device.
  - Use only a Power Wheels® 25 Amp fuse.
  - Never modify the electrical system. Alterations could cause a fire resulting in serious injury and could also ruin the electrical system.
  - Use of the wrong type battery, fuse or charger could cause a fire or explosion resulting in serious injury.
  - Use of Power Wheels® components in products other than Power Wheels® vehicles could cause overheating, fire or explosion.
- The battery must be handled by adults only. The battery is heavy and contains sulfuric acid (electrolyte). Dropping the battery could result in serious injury.
- Never allow children to charge the battery. Battery charging must be done by adults only. A child could be injured by the electricity involved in charging the battery.
- Never lift or carry the battery by the wires or connector. This can damage the battery and possibly cause a fire resulting in serious injury. Lift and carry the battery by the case only.
- Read the safety instructions on the battery.
- Examine the battery, charger and their connectors for excessive wear or damage each time you charge the battery. If damage or excessive wear is detected, do not use the charger or the battery until you have replaced the worn or damaged part.

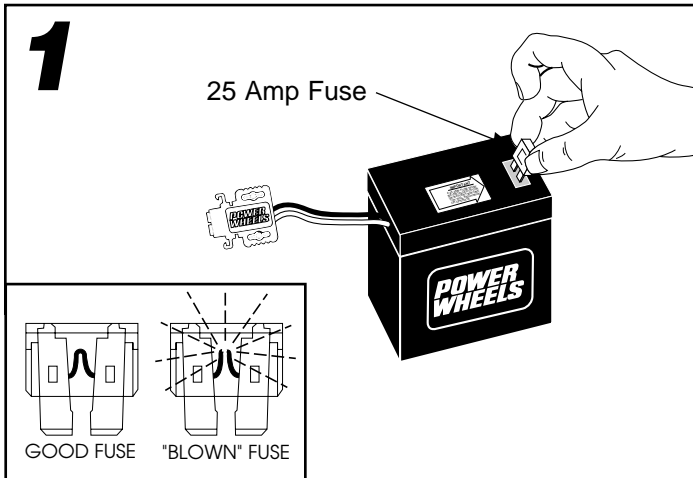
 **CAUTION**

Use the charger in dry locations only.

**Important Notes**

- **Your new battery must be charged for at least 18 hours before you use it in your vehicle for the first time.**
- We recommend that you start charging your battery before beginning assembly of your new vehicle.
- The battery must be upright while charging.
- The charger is not a toy.
- Do not short circuit the battery.
- The battery must be removed from your vehicle for the initial charge in order to complete assembly. You do not need to remove the battery from your vehicle to recharge it.
- Before charging the battery, examine the battery case for cracks and other damage which may cause sulfuric acid (electrolyte) to leak during the charging process. If damage is detected, do not charge the battery or use it in your vehicle. Battery acid is very corrosive and can cause severe damage to surfaces it contacts.
- Do not charge the battery on a surface which could be damaged by the acid contained inside the battery. Take precautions to protect the surface on which you charge your battery.
- Use only a Power Wheels® Type H 6 volt charger (120 VAC 60 Hz 12W with an output of 6 VDC 800mA) to charge your Power Wheels® 6 volt battery.

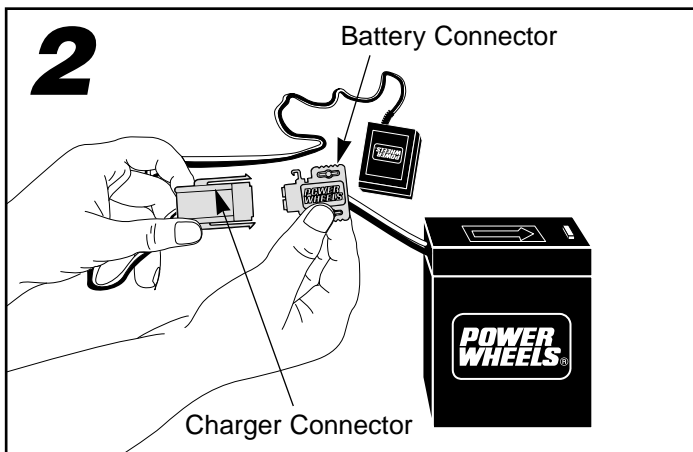
# Battery Charging



- If you are charging the battery for the first time, insert a 25 amp fuse into the battery.

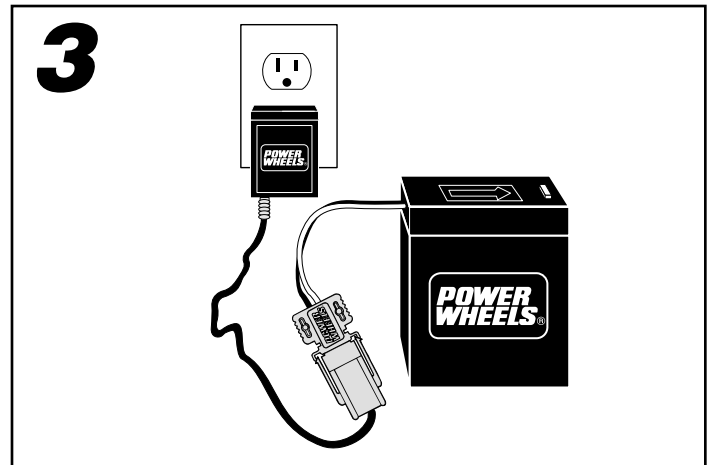
**Note:** The top of the fuse will not be flush with the top of the battery when properly installed.

- If you are recharging your battery, make sure the 25 amp fuse already installed in the battery is in good condition. Remove the fuse from the battery and look at it to make sure it is not blown. Replace a blown fuse with a new Power Wheels® 25 amp fuse.



- Squeeze the connector tabs on the charger connector and plug it into the battery connector.

**IMPORTANT!** If you are recharging your battery, you will first need to remove the pretend engine cover and disconnect the battery connector from the motor harness connector under the hood.



- Plug the charger into a standard wall outlet.

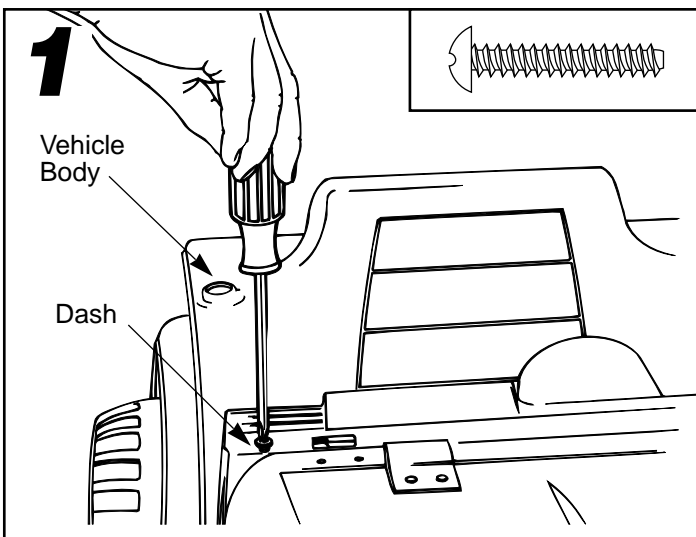
**Note:** If power flow to the wall outlet is controlled by a switch, make sure the switch is "ON".

- **Before first-time use, charge the battery for at least 18 hours.** Never charge the battery longer than 30 hours.
- Recharge the battery for at least 14 hours after each use of your vehicle. Do not charge the battery longer than 30 hours.
- Once the battery is charged, disconnect the charger connector from the battery connector. Unplug the charger from the wall outlet. The battery is now ready to be installed in your vehicle. Please see the Battery Installation section on page 16 for detailed instructions on installing your battery.

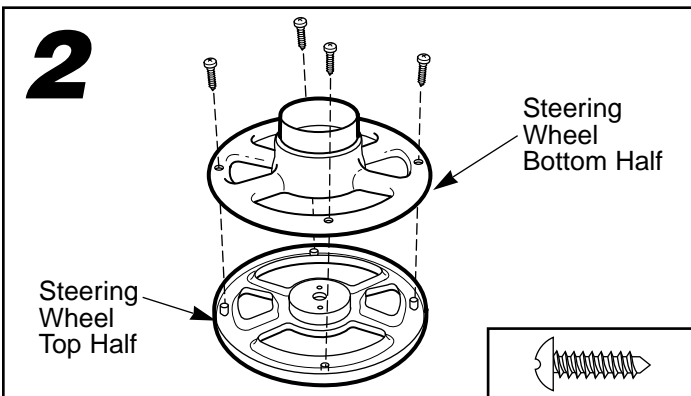


## ⚠ WARNING

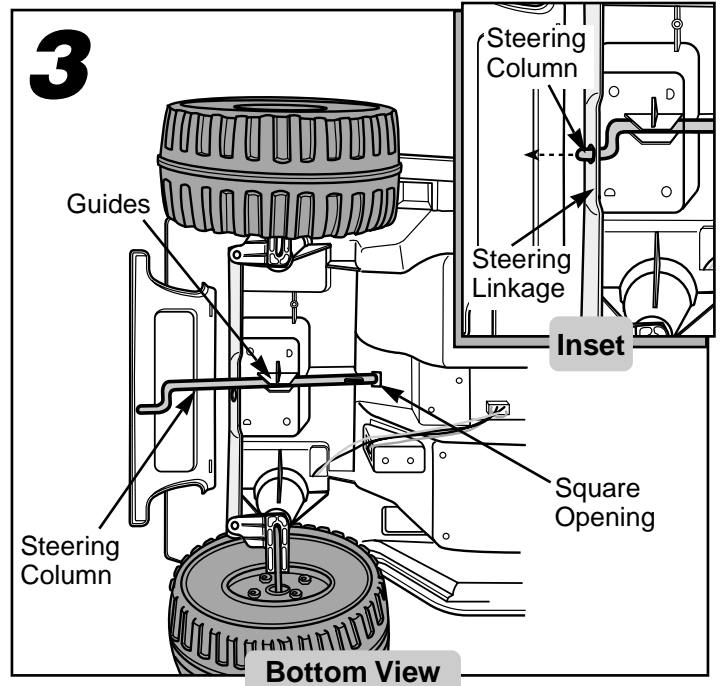
Children can be harmed by small parts, sharp edges and sharp points in the vehicle's unassembled state, or by electrical items. Care should be taken in unpacking and assembly of the vehicle. Children should not handle parts, including the battery, or help in assembly of the vehicle.



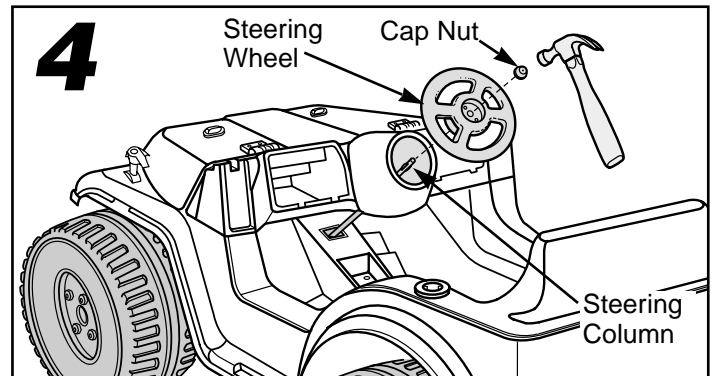
- Insert two #8 x 1" screws through the holes in both sides of the dash and into the vehicle body.
- Tighten the screws with a Phillips screwdriver. Do not over-tighten.



- Fit the top and bottom halves of the steering wheel together.
- Insert four #6 x 1/2" screws through the holes in the bottom half of the steering wheel and into the top half of the steering wheel.
- Tighten the screws with a Phillips screwdriver. Do not over-tighten.
- Set the steering wheel aside.



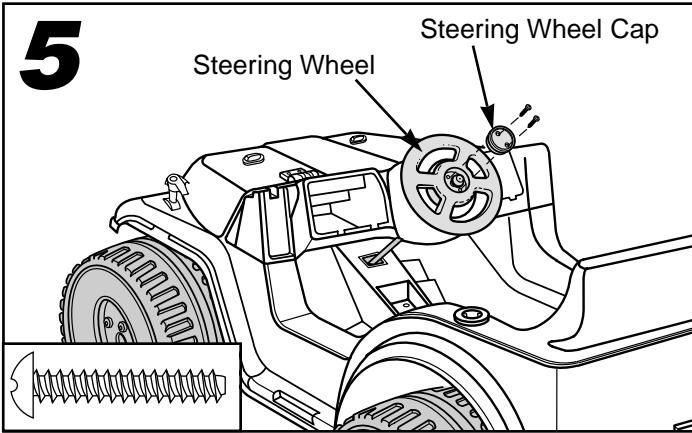
- Position the vehicle body on its side.
- Fit the straight end of the steering column up through the square opening in the vehicle body and out through the large round hole in the dash. **Make sure the steering column is positioned between the guides on the underside of the vehicle body.**
- Insert the end of the steering column through the hole in the steering linkage (see inset).



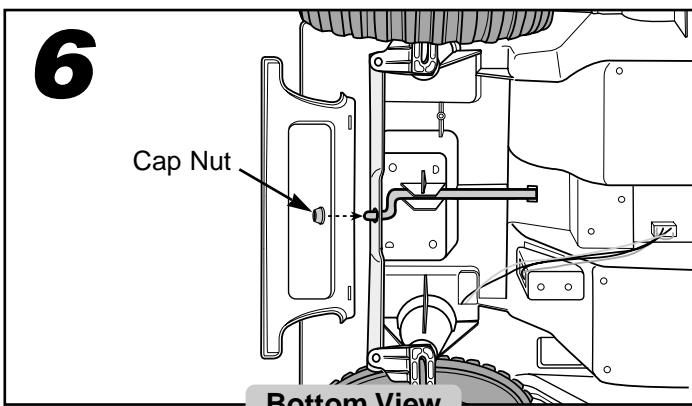
- Turn the vehicle body upright.
- Align the keyed hole in the center of the steering wheel with the ribs on the steering column. Fit the steering wheel onto the steering column. The base of the steering wheel should fit into the large hole in the dash.
- Fit a cap nut onto the end of the steering column.
- Tap the cap nut with a hammer to secure it on the steering column.

**Hint:** You may want the help of another person to support the steering column while you tap the cap nut with the hammer.

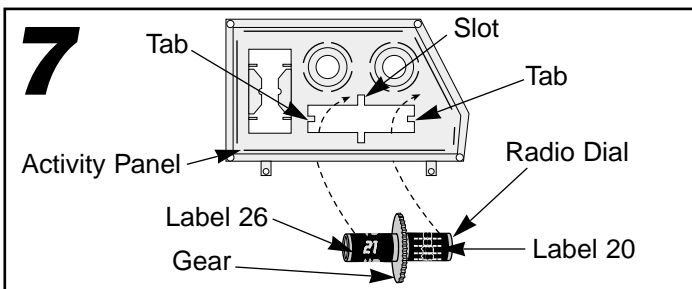
# Assembly



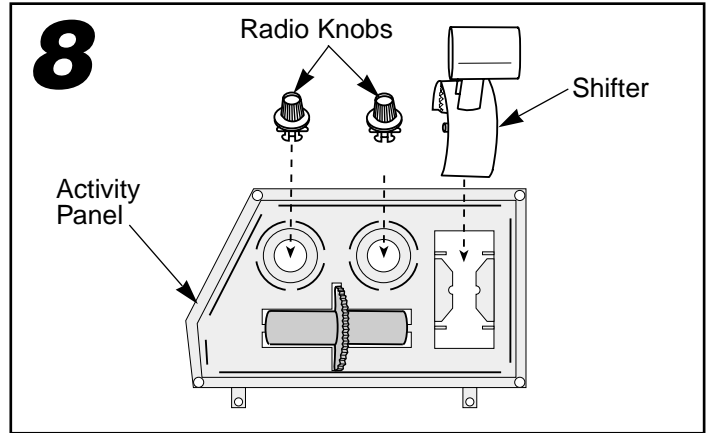
- Fit the steering wheel cap into the center of the steering wheel with the screw holes aligned.
- Insert two #8 x 1" screws through the holes in the steering wheel cap and into the steering wheel.
- Tighten the screws with a Phillips screwdriver. Do not over-tighten.



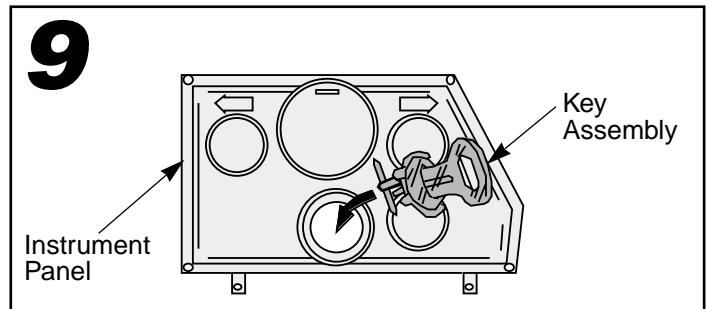
- Position the vehicle body on its side.
- Fit a cap nut onto the end of the steering column.
- While supporting the steering column tap the cap nut with a hammer to secure it on the steering column.
- Turn the vehicle body upright.



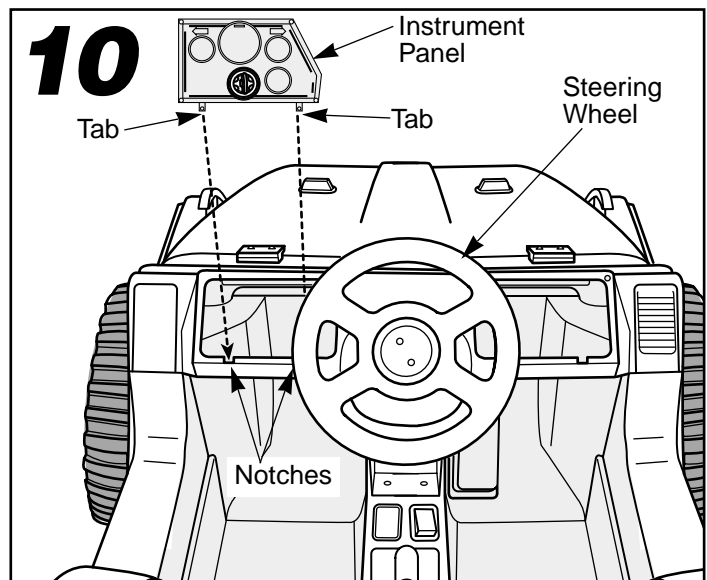
- Using safety scissors, separate the activity panel and the instrument panel. Dispose of the plastic connector.
- Apply labels 20 and 26 to the radio dial.
- From the back of the activity panel: fit one end of the radio dial onto a tab on the activity panel; position the center gear in the slot; and then press firmly to snap in the other end of the radio dial to the other tab on the activity panel.



- From the front of the activity panel, insert and snap the radio knobs.
- With the wide part of the shifter handle outward, insert and snap the shifter into the activity panel.
- Set the activity panel aside.

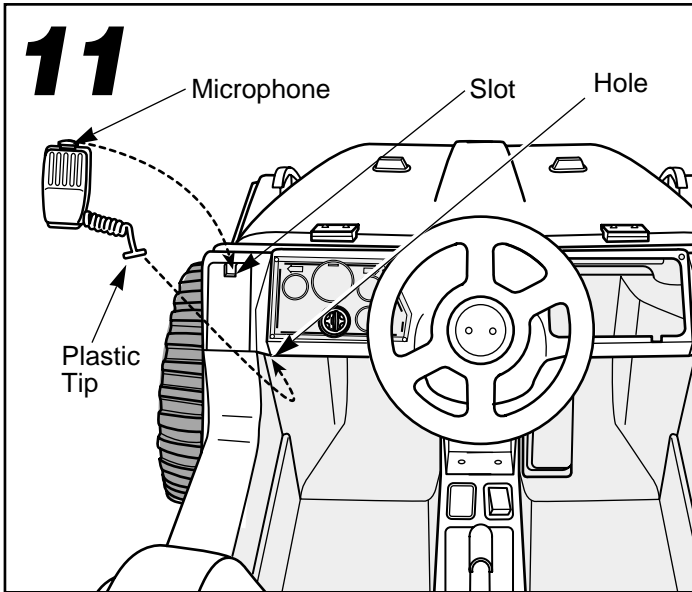


- Insert and snap the key assembly into the hole in the instrument panel.

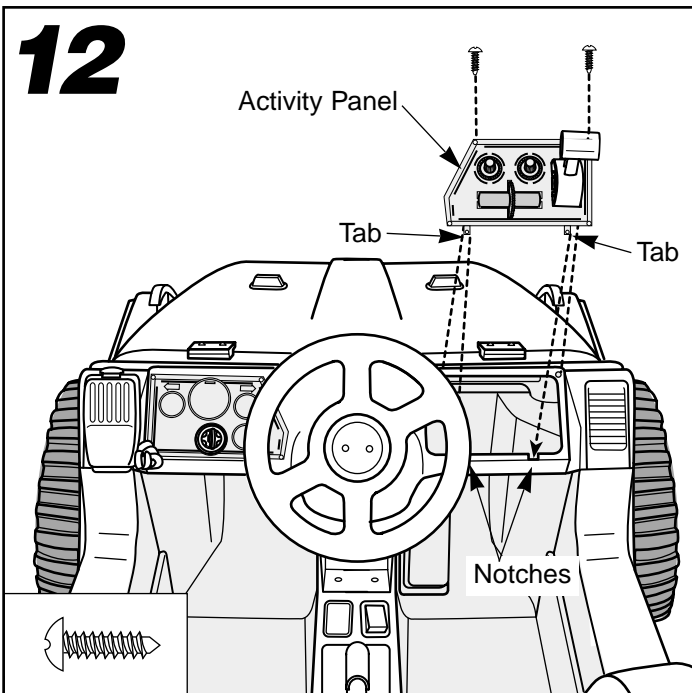


- Fit the tabs on the bottom of the instrument panel into the notches in the dash opening to the left of the steering wheel.
- Press near the top of the instrument panel to snap the top tab on the back of the instrument panel into the dash.

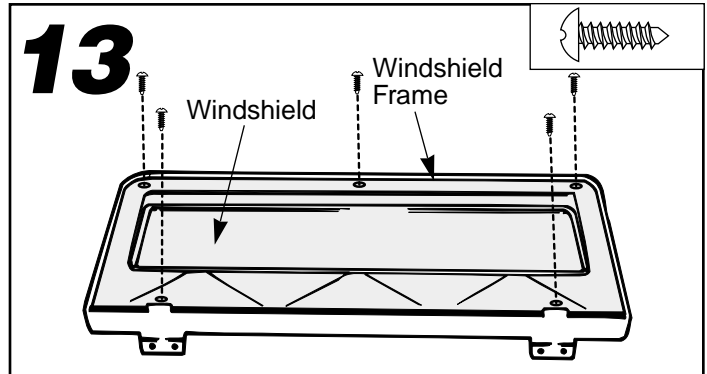
# Assembly



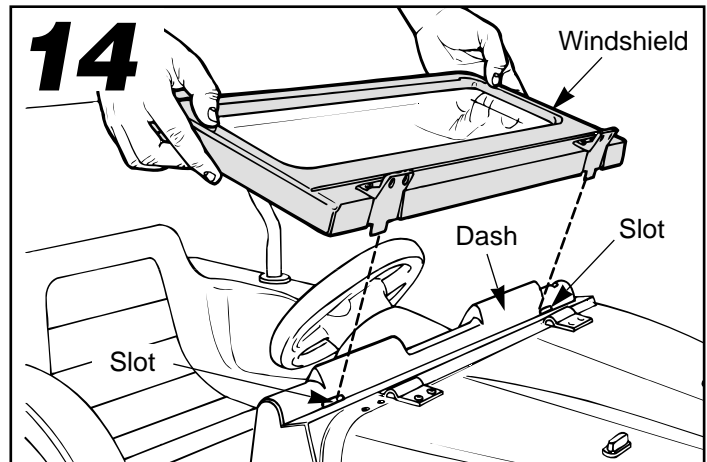
- Bend the plastic tip at the end of the microphone cord to form a "T".
- Insert the plastic tip into the small hole in the left side of the vehicle body. Pull gently on the cord to make sure it is secure.
- Fit the tab on the back of the microphone into the slot in the dash.



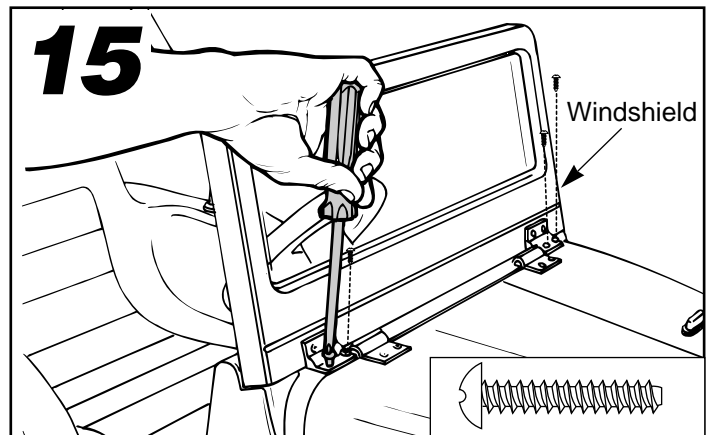
- Fit the tabs on the bottom of the activity panel into the notches in the dash opening to the right of the steering wheel.
- Insert two #6 x 1/2" screws through the holes in the top of the activity panel and into the dash.
- Tighten the screws with a Phillips screwdriver. Do not over-tighten.



- Fit the windshield into the windshield frame.
- Insert five #6 x 1/2" screws through the holes in the windshield and into the windshield frame.
- Tighten the screws with a Phillips screwdriver. Do not over-tighten.

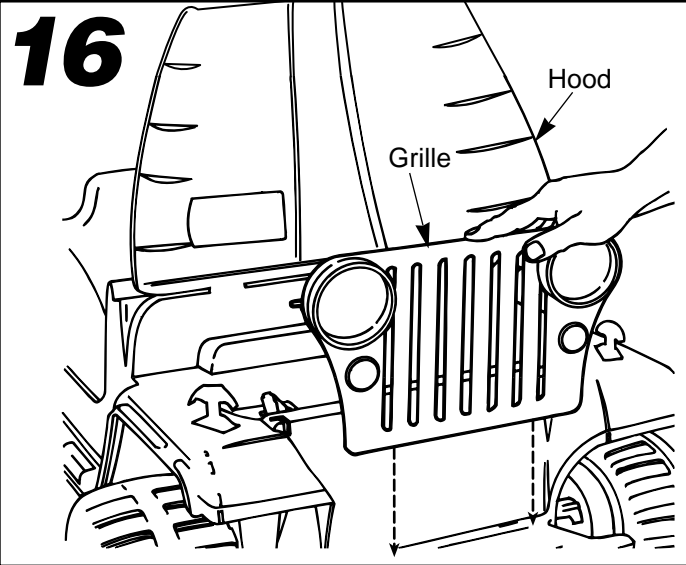


- Fit the tabs on the back of the windshield into the slots in the top of the dash.

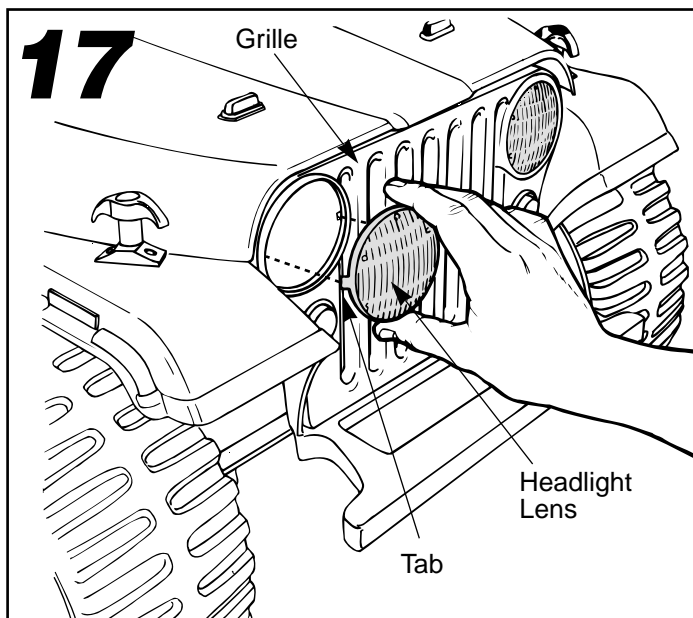


- Rotate the top of the windshield toward the front of the vehicle body.
- Insert four #8 x 1" screws through the holes in the hinge on the windshield and into the vehicle body.
- Tighten the screws with a Phillips screwdriver. Do not over-tighten.

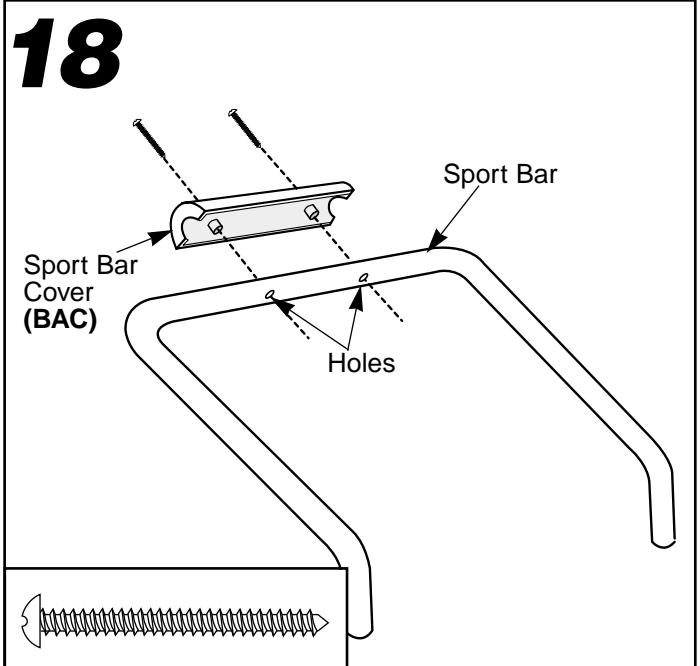
# Assembly



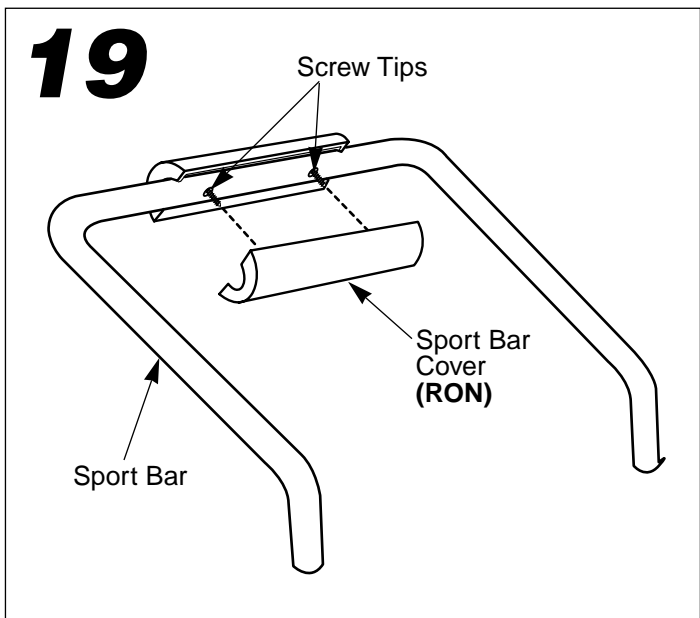
- Lift the hood.
- Fit the tabs at the bottom of the grille into the slots in the vehicle body.
- Press near the top of the grille to snap it into the vehicle body.
- Lower the hood.



- Fit the tab on one side of a headlight lens into the notch in the grille.
- Push firmly to snap the tab on the other side of the headlight lens into the grille.
- Repeat this procedure to assemble the other headlight lens to the grille.

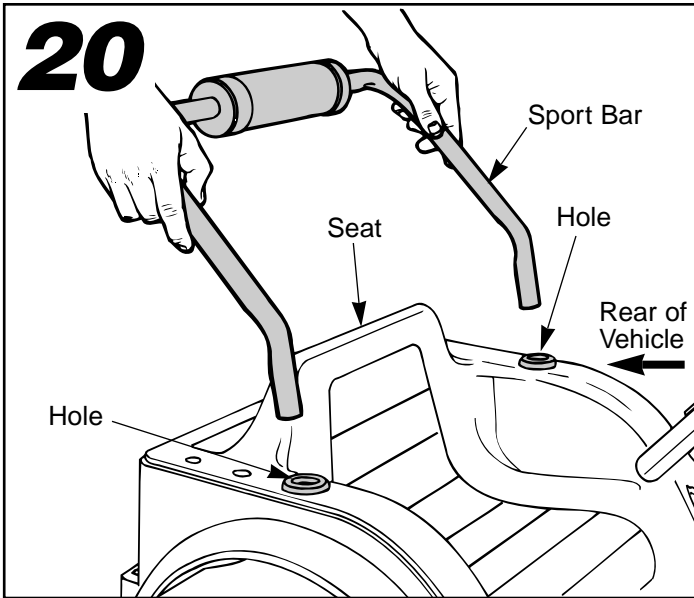


- With the ends of the sport bar angled toward you, fit the sport bar cover marked "BAC" to the sport bar.
- Align the holes in the sport bar with the holes in the sport bar cover.
- Insert two #6 x 1/2" screws through the sport bar cover and into the sport bar, as shown.

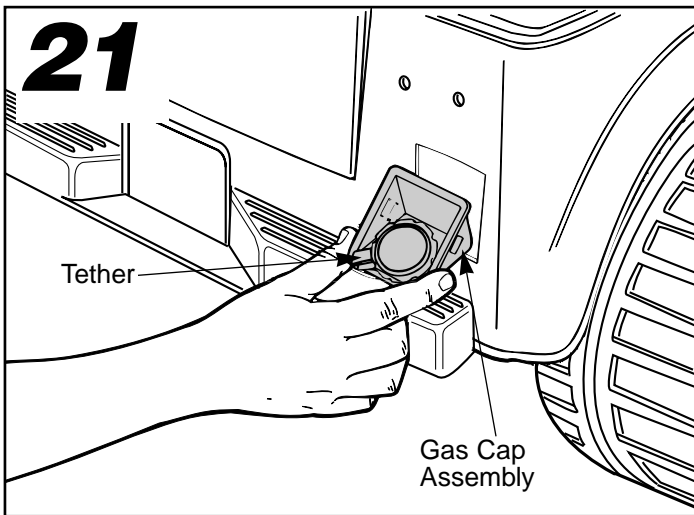


- Align the tips of the screws with the holes in the other sport bar cover marked RON. Fit the two sport bar covers together.
- Tighten the screws with a Phillips screwdriver. Do not over-tighten.

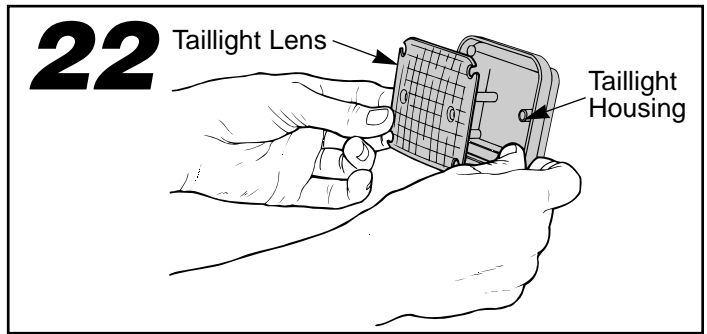
# Assembly



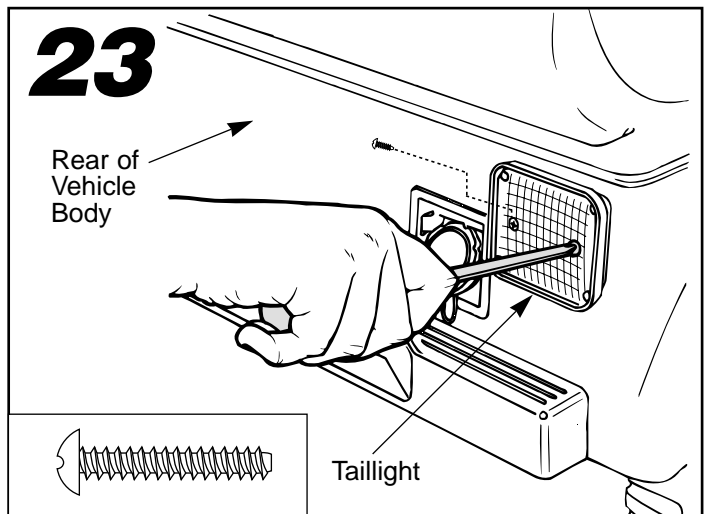
- With the sport bar positioned to angle towards the rear of the vehicle, fit the ends of the sport bar into the holes in the vehicle body on either side of the seat.
- Press firmly on each side of the sport bar to fit it into the vehicle body.



- Face the back of the vehicle.
- With the gas cap tether pointing down, insert and “snap” the gas cap assembly into the square opening in the rear of the vehicle.

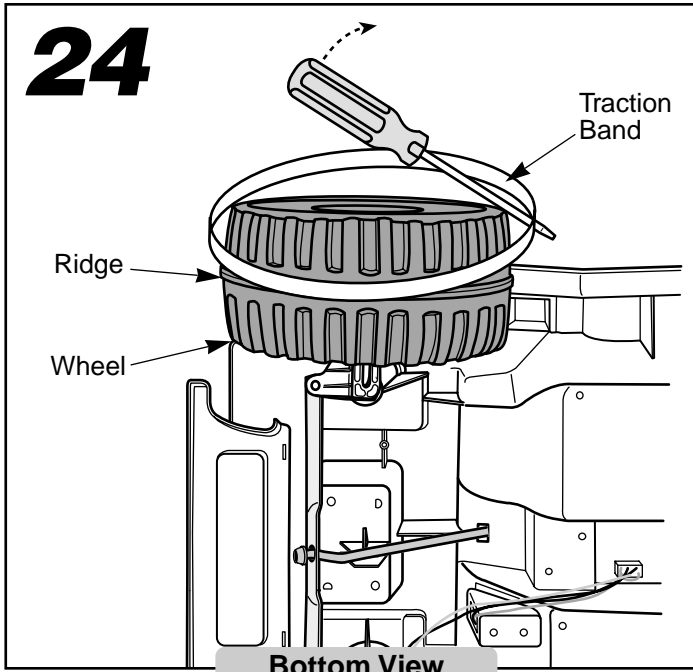


- Using safety scissors, separate the taillight lenses and taillight housings from the plastic connectors. Dispose of the plastic connectors properly.
- Fit a taillight lens in a taillight housing.



- Face the back of the vehicle.
- Align the holes in the taillight with the holes in the vehicle body.
- Insert two #8 x 1" screws through the holes in the taillight and into the vehicle body.
- Tighten the screws with a Phillips screwdriver. Do not over-tighten.
- Repeat steps 22 and 23 to assemble the other taillight lens and taillight housing to the vehicle body.

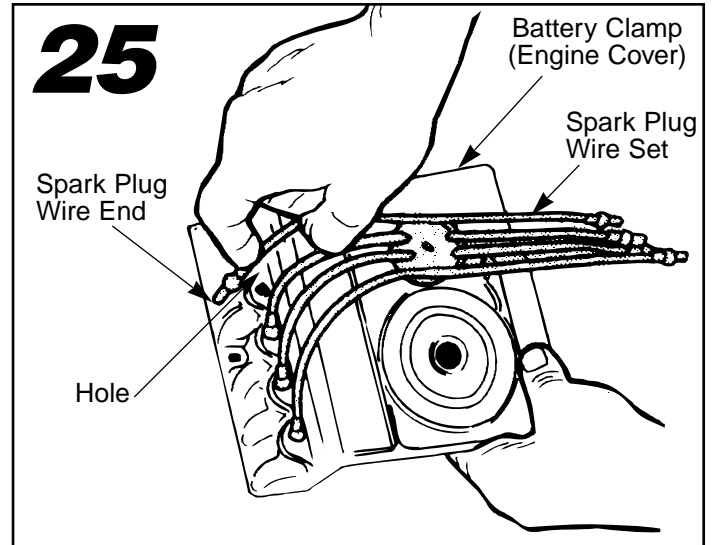
# Assembly



- Turn the vehicle on its side.
- Fit a traction band around a wheel.
- Slide a slotted screwdriver under the traction band to push the traction band onto the ridge in the center of the wheel.

**Hint:** If the traction band is difficult to fit around the wheel, you may want to soak it in warm water to soften it slightly.

- Repeat this procedure to assemble a traction band to each wheel.
- Turn the vehicle upright.



- “Snap” the center of the spark plug wire set onto the battery clamp (engine cover).
- Fit each of the spark plug wire ends into the holes on the sides of the battery clamp (engine cover).

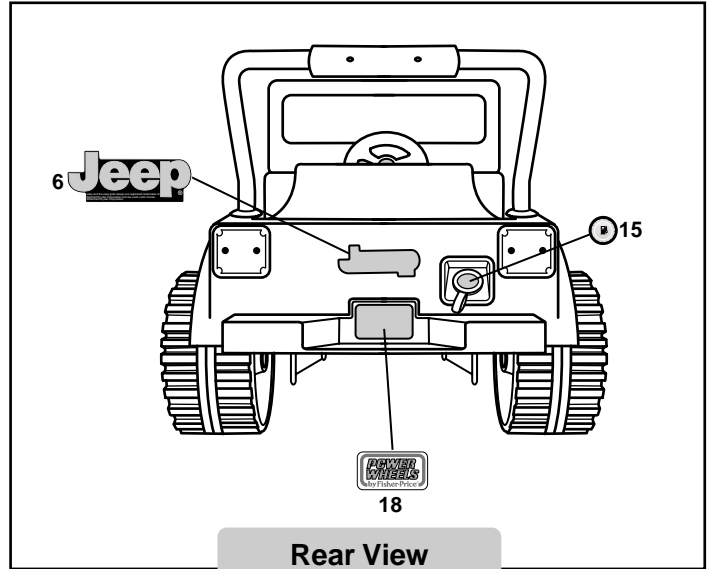
**IMPORTANT!** You must install your Power Wheels® battery in your vehicle before assembling the battery clamp (engine cover) under the hood. Please refer to “Battery Installation” on page 16 for detailed instructions.

# G

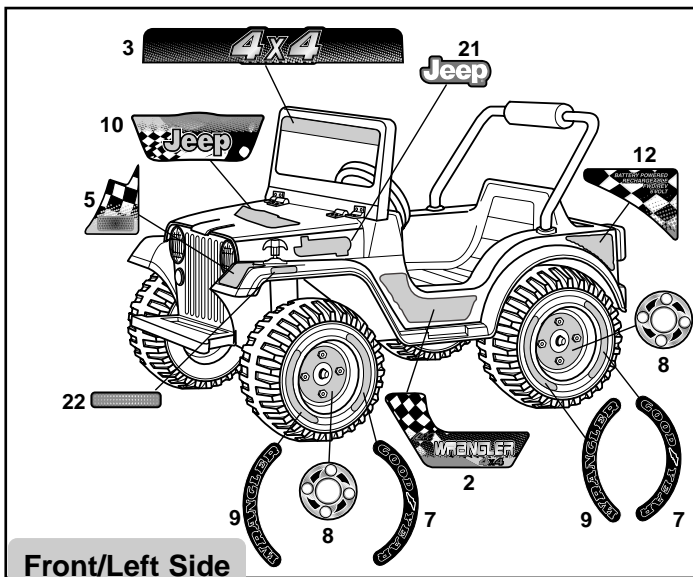
## Label Decoration

Proper label application will help to keep the labels looking their best! Keep the following guidelines in mind when applying labels:

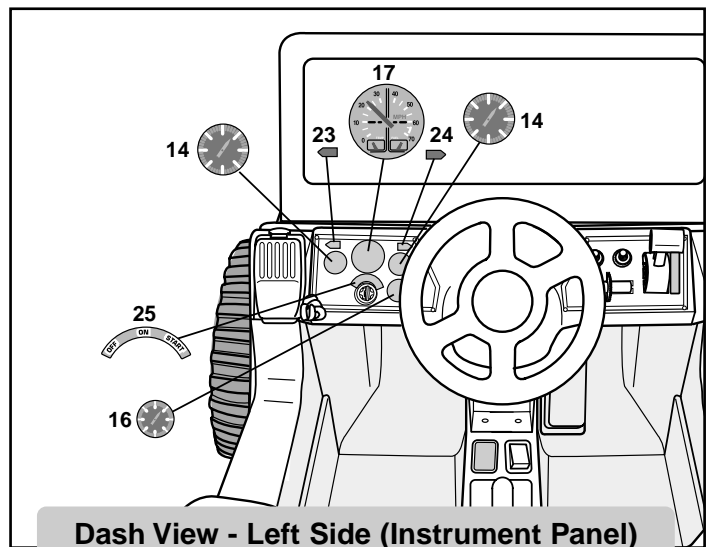
- Wash your hands before applying the labels.
- Before applying the labels, wipe the surface of the vehicle with a clean, dry cloth to remove any dust or oils.
- Place the labels exactly as shown on the label sheet diagrams.
- For best results, avoid repositioning a label once it has been applied to the vehicle.
- After applying a label, rub the label firmly with a clean, dry cloth to make sure the label is adhered to your vehicle. Start at the center of a label and smooth towards the outer edges to remove air bubbles.



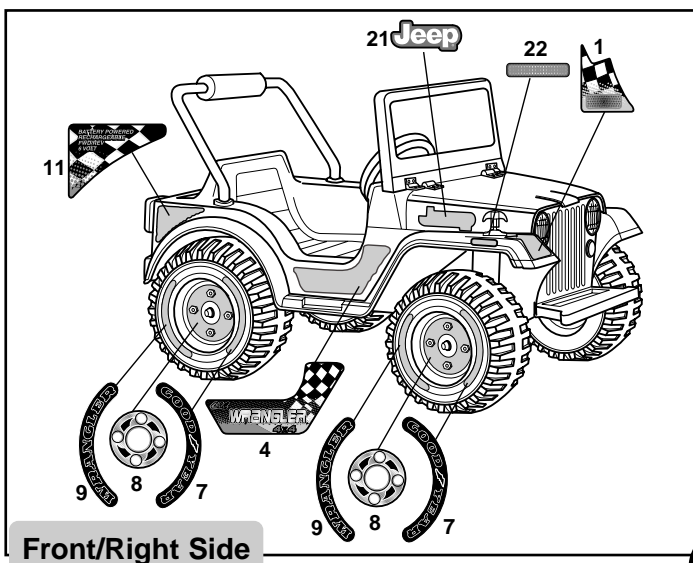
Rear View



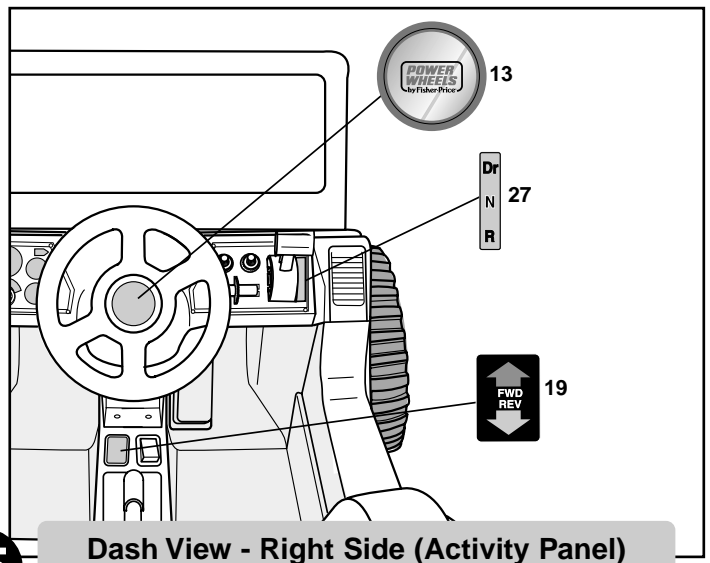
Front/Left Side



Dash View - Left Side (Instrument Panel)



Front/Right Side

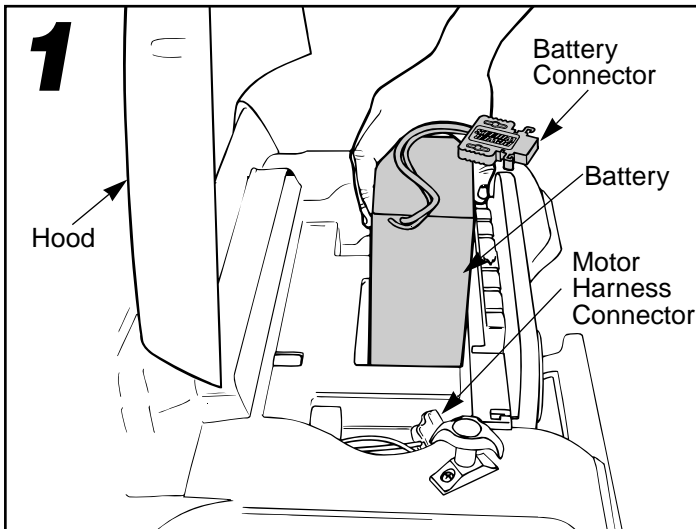


Dash View - Right Side (Activity Panel)

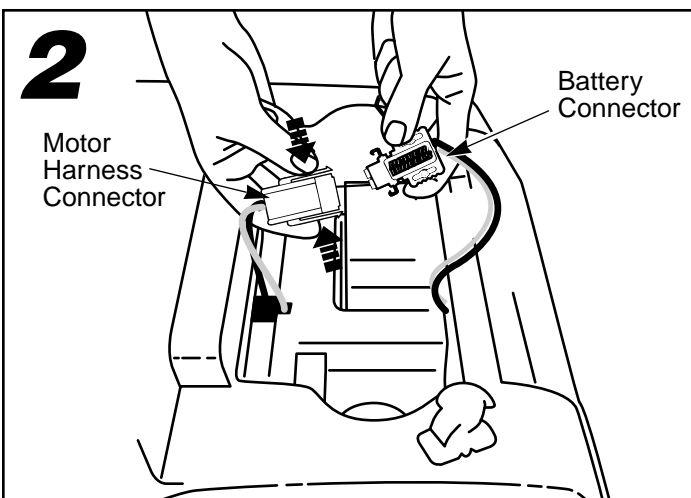
# H

## Battery Installation and Battery Clamp (Engine Cover) Assembly

**IMPORTANT!** Use only a Power Wheels® Type H 6 Volt battery with a Power Wheels® 25 amp fuse installed. Use of any other battery or fuse will damage your vehicle. Make sure that you charge the battery for at least 18 hours using the enclosed Power Wheels® Type H 6 Volt charger before operating your vehicle for the first time. Charge the battery for at least 14 hours after each use of the vehicle. Never charge the battery longer than 30 hours. Failure to follow these instructions may damage your battery and will void your warranty.

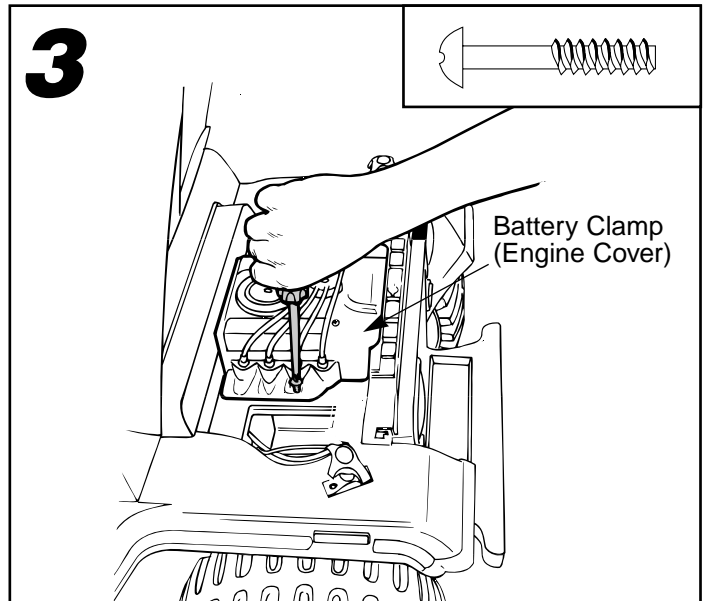


- Lift the hood.
- Place the battery in the battery compartment. Make sure the battery connector extends toward the motor harness connector.

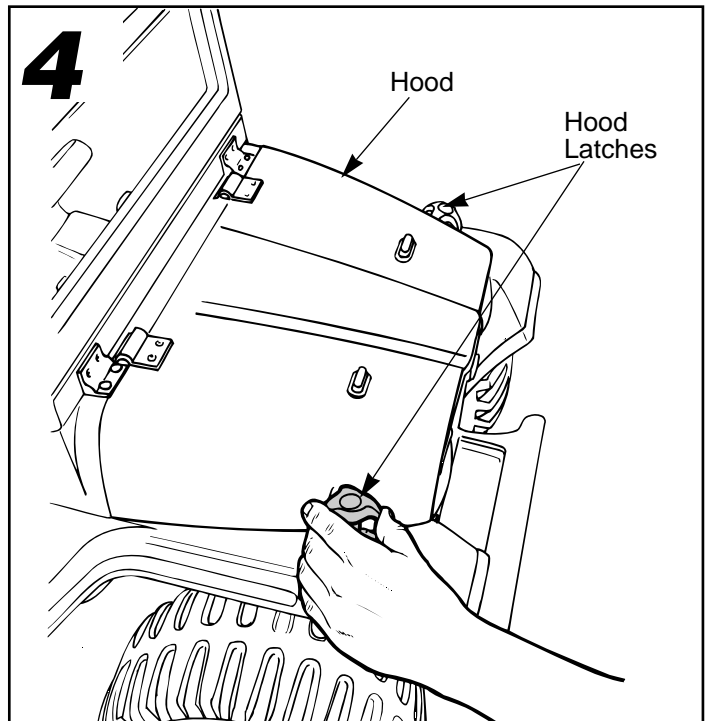


- Squeeze the tabs on each side of the motor harness connector. Plug the battery connector into the motor harness connector.

**Note:** If the battery connector will not plug into the motor harness connector, turn it over and try again. Do not force the battery connector into the motor harness connector.



- Fit the battery clamp (engine cover) over the battery, motor harness connector and battery connector.
- Insert two #8 x 18 x 1" screws through the holes in the battery clamp (engine cover) and into the vehicle body.
- Tighten the screws with a Phillips screwdriver. Do not over-tighten.



- Lower the hood. Lift the hood latches and fit the short tabs onto the notches on the hood to fasten it.



## Care

**If a battery leak develops**, avoid contact with the leaking acid and place the damaged battery in a plastic bag. See information below for proper disposal.

**If acid comes in contact with skin or eyes**, flush with cool water for at least 15 minutes and call a physician.

**If acid is internally ingested**, give water, milk of magnesia or egg whites immediately. Never give emetics or induce vomiting. Call a physician.

- Charge a new battery for at least 18 hours before first use. Never charge the battery longer than 30 hours. Overcharging or undercharging the battery may shorten battery life and decrease vehicle running time.
- After the first charge, recharge the battery for at least 14 hours after each use. Never charge the battery longer than 30 hours. Charge the battery after each use, regardless of how long the vehicle was used.
- Attempting to charge the battery without a 25 Amp fuse or with a blown fuse will not damage the battery, but it will not charge. Check the fuse to make sure it is in good condition each time you charge the battery.
- The battery must be upright while charging.
- Do not allow the battery to run down completely before charging.
- Charge the battery before storing the vehicle.
- Charge the battery at least once per month, even if the vehicle has not been used.
- Leaving the battery in a discharged condition will ruin it.
- Always remove an exhausted battery from the vehicle. Battery leakage and corrosion can damage the vehicle.
- Do not store the battery on a surface which could be damaged by the acid contained inside the battery. Take precautions to protect the surface on which you store the battery.
- Do not store the battery in temperatures above 75° F or below -10° F.
- Prevent the battery from moving freely inside the battery compartment. **Always use the battery clamp (engine cover) to secure the battery in the battery compartment.**
- Examine the battery, charger and their connectors for excessive wear or damage each time you charge the battery. If damage is detected, do not use the charger or the battery until you have replaced the worn or damaged part.

## Disposal

- Your Power Wheels® battery is a sealed lead-acid battery. It must be recycled or disposed of in an environmentally sound manner.
- Do not dispose of a lead-acid battery in your regular, household trash. The incineration, landfilling or mixing of sealed lead-acid batteries with household trash is prohibited by law in most areas.
- Return exhausted batteries to a federal or state approved lead-acid battery recycler, such as a Power Wheels® authorized service center, or a local seller of automotive batteries. For the service center location nearest you, please call 1-800-348-0751. Contact your local waste management officials for other information regarding the environmentally sound collection, recycling and disposal of lead-acid batteries. If you live in the State of Florida or Minnesota, it is prohibited by law for anyone to throw away lead-acid batteries in the municipal waste stream.

## RIDING HAZARD

### WARNING

#### Prevent Injuries and Deaths

- Direct Adult Supervision Required
  - Keep Children Within Safe Riding Areas
- These areas must be:
- away from swimming pools and other bodies of water to prevent drownings
  - generally level to prevent tipovers
  - away from steps, driveways, roads and alleys.

### Teach Safety Rules to Children

While children can quickly develop the skill necessary to drive this vehicle, it is important to remember that their judgment skills are still very immature. Unsupervised driving by children can lead to serious injury. Before children use this vehicle, an adult should carefully evaluate the driving area as well as the children's skill level and ability to drive this vehicle safely. Children are not always able to recognize or anticipate hazards, even when they have been taught about them. **There is no acceptable substitute for direct adult supervision.**

Teach appropriate safety rules to your child before allowing operation of this vehicle. These rules should also be reviewed with neighborhood children or other playmates who want to drive this vehicle.

### Riding Rules

**Make sure children know and follow these rules for safe driving:**

1. Always sit on the seat.
2. Always wear shoes.
3. Only 1 (one) rider at a time. A child who is not sitting on the seat or who is standing on the vehicle could fall off, cause a tip-over or block the driver's view. A child could be seriously injured.
4. Do not allow any child to drive the vehicle in the street or near moving (motorized) vehicles.
5. Do not allow any child to drive near bodies of water (such as pools or creeks), obstructions (such as furniture, low tree limbs or play equipment), or drop-offs (such as stairs or decks).
6. Do not allow any child to drive the vehicle in the dark. A child could encounter unexpected obstacles and have an accident. Operate the vehicle only in the daytime or a well-lit area.



**Use vehicle on generally level ground ONLY!**

7. Do not allow your child to drive on sloped or inclined surfaces. **Restrict your child's driving to generally level ground ONLY!**
8. Do not allow your child to drive down or across a steep slope.
  - The vehicle may gain unsafe speed, even if the pedal is released to stop.
  - The vehicle may tilt and tip over.
  - The wheels could lose traction, causing the vehicle to slip.
9. Do not allow your child to drive up steep inclines. The motor may stop and the vehicle could roll backwards at an unsafe speed.
10. Never put anything near any moving parts. Rotating parts such as motors, gear boxes and wheels can snag fingers, hair, etc., causing serious injury. Do not allow operation of the vehicle when it is on its side or in an upside-down position.
11. Do not operate the vehicle near flammable vapors (gasoline, paint thinner, acetone, liquid wax, etc.). The vehicle's electrical switches, like most electrical switches, emit an internal spark when first turned on or turned off. The presence of flammable liquids or vapors could cause an explosion or a fire. Keep all flammable products in tightly sealed containers and away from the vehicle.
12. Do not allow a child to operate the vehicle without direct adult supervision. To prevent unsupervised use of the vehicle, disconnect the motor harness from the battery when the vehicle is not in use.
 

**To disconnect the motor harness connector an battery connector:**

  - Lift the hood.
  - Remove the battery clamp (engine cover).
  - Squeeze the tabs on the motor harness connector to unplug it from the battery connector.
  - Replace the battery clamp (engine cover).
  - Lower the hood and fasten the hood latches.

# K

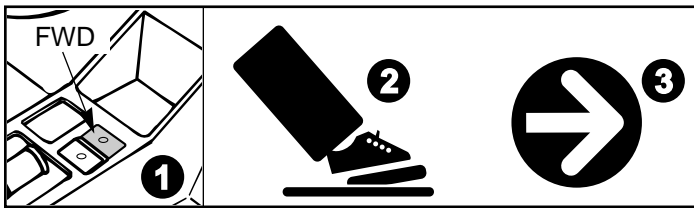
## How to Operate Your Vehicle

# L

## Caring For Your Vehicle

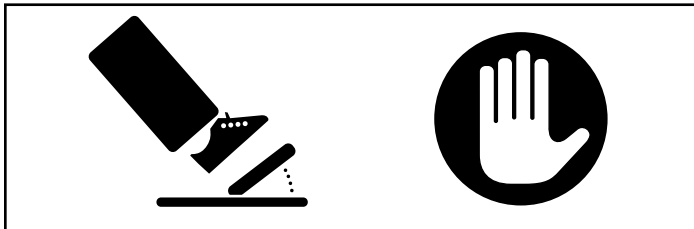
### To Drive

- Push the top button (FWD) on the FORWARD/REVERSE switch to drive forward ① .
- Press down on the foot pedal ② . The vehicle will go forward at a maximum of 2½ mph ③ .
- Help your child practice steering to learn how far and how quickly to turn the steering wheel when driving forward.



### To Stop

- Your vehicle has a patented, electronic braking system that automatically stops the vehicle when your child's foot is lifted from the pedal.

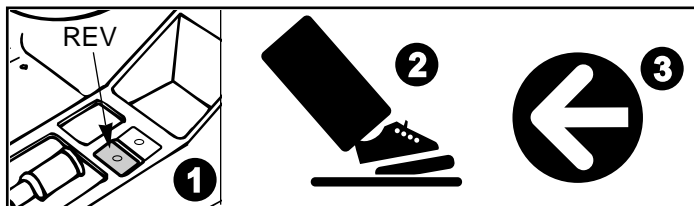


### To Back-Up

- Once your child is comfortable operating the vehicle in FORWARD, introduce REVERSE (REV).

**Note:** To prevent damage to the motors, stop the vehicle before switching between FORWARD and REVERSE.

- Push the bottom button (REV) on the FORWARD/REVERSE switch to drive in reverse ① .
- Press down on the foot pedal ② . The vehicle will go in reverse at a maximum of 2½ mph ③ .
- Help your child practice steering to learn how far and how quickly to turn the steering wheel when driving reverse.



- Check all screws, retainers and protective coverings regularly and tighten as required. Check plastic parts on a regular basis for cracks or broken pieces.
- During snowy or rainy weather, the vehicle should be stored inside or under a protective cover. Remember to charge the battery at least once per month while your vehicle is not in regular use.
- Avoid operating the vehicle in wet or snowy conditions, and do not spray the vehicle with a hose. Do not wash the vehicle with soap and water. Water or moisture in the motor or electrical switches can cause them to corrode, and could cause switch or motor failure.
- Avoid operating the vehicle on sand, loose dirt or gravel. Sand, loose dirt or gravel in the motor or electrical switches can cause them to jam, and could cause switch or motor failure.
- The vehicle can be wiped down with a soft, dry cloth. For a shiny finish, you can wipe plastic parts with a non-wax furniture polish applied to a soft-cloth. Do not use automotive wax. Do not use soap and water or spray the vehicle with a hose.
- To ensure that your vehicle stays in good operating order, we recommend that you periodically have your vehicle checked by a Power Wheels® authorized service center. See page 25 for the list of authorized service centers or call **1-800-348-0751** for the location of the authorized service center nearest you.

**IMPORTANT!** If you experience a problem with your vehicle, first check the Problems and Solutions Guide below. If you still experience a problem, please contact Power Wheels® Consumer Relations, toll-free at **1-800-348-0751** between 8 AM and 6 PM (EST) Monday through Friday. Or, contact your local Power Wheels® authorized service center. For the location nearest you, please refer to the Authorized Service Center list beginning on page 25.

Problem	Possible Cause	Solution
Vehicle does not run	Undercharged battery	Charge the battery. A new battery should have been charged for at least 18 hours before using the vehicle for the first time. After first-time use, recharge the battery for at least 14 hours after each use. Never charge the battery longer than 30 hours.
		Check all connectors. Make sure the battery connector is tightly plugged into the charger connector, and that the charger is plugged into the wall.
		Make sure power flow to the wall outlet is "ON".
	Charger is not working	There is no sure way to tell if your charger is working unless you have a volt meter. If you suspect there is a problem with your charger, contact your local Power Wheels® authorized service center. They can test your charger for you.
	Wrong type or improperly installed fuse	Make sure that the battery has a properly installed Power Wheels® 25 amp fuse before charging. Do not substitute parts.
	Blown fuse	Make sure that the fuse in the battery is in good condition. Replace a blown fuse with a Power Wheels® 25 amp fuse. Do not substitute parts.
	Loose wire or loose connectors	Check all wires and connectors. Make sure the battery connector is tightly plugged into the motor harness connector, and that there are no loose wires around the motors.
	Dead battery	If your battery is old or if you have not followed Battery Care instructions, your battery may be dead. If you are unsure whether or not the battery is dead, you can have it tested at your local Power Wheels® authorized service center.
	Electrical switch damage	The electrical switches can become corroded due to exposure to water or moisture, or can jam due to loose dirt, sand or gravel. Contact your local Power Wheels® authorized service center for diagnosis and repair.
Motor damage	Contact your local Power Wheels® authorized service center for diagnosis and repair.	

# Problems and Solutions Guide

Problem	Possible Cause	Solution
Vehicle was running but suddenly stopped	Loose wire or loose connectors	Check all wires and connectors. Make sure the battery connector is tightly plugged into the motor harness connector, and that there are no loose wires around the motors.
	Wrong type or improperly installed fuse	Make sure that the battery has a properly installed Power Wheels® 25 amp fuse before charging. Do not substitute parts.
	Blown fuse	Make sure that the fuse in the battery is in good condition. Replace a blown fuse with a Power Wheels® 25 amp fuse. Do not substitute parts.
	Vehicle is overloaded	Make sure you do not overload the vehicle by allowing more than 1 rider at one time, by exceeding the 50 lb maximum weight capacity, or by towing objects behind the vehicle.
	Driving conditions are too stressful	Use only on generally level ground. Extreme temperatures can also affect run time.
Short run time	Undercharged battery	Charge the battery. A new battery should have been charged for at least 18 hours before using the vehicle for the first time. After first-time use, recharge the battery for at least 14 hours after each use. Never charge the battery longer than 30 hours.
		Check all connectors. Make sure the battery connector is tightly plugged into the charger connector, and that the charger is plugged into the wall.
		Make sure power flow to the wall outlet is "ON".
	Overcharged battery	Do not charge the battery longer than 30 hours. If you suspect that your battery is damaged as a result of overcharging, contact your local Power Wheels® authorized service center. They can test your battery for you.
	Battery is old and will not accept full charge	Even with proper care, a rechargeable battery does not last forever. Average battery life is 1 to 3 years depending on use conditions. Replace the battery with a Power Wheels® Type H 6 Volt battery. Do not substitute parts.
	Wrong type or improperly installed fuse	Make sure that the battery has a properly installed Power Wheels® 25 amp fuse before charging. Do not substitute parts.
	Driving conditions are too stressful	Use only on generally level ground. Extreme temperatures can also affect run time.

# Problems and Solutions Guide

Problem	Possible Cause	Solution
Vehicle runs sluggishly	Undercharged battery	Charge the battery. A new battery should have been charged for at least 18 hours before using the vehicle for the first time. After first-time use, recharge the battery for at least 14 hours after each use. Never charge the battery longer than 30 hours.
		Check all connectors. Make sure the battery connector is tightly plugged into the charger connector, and that the charger is plugged into the wall.
		Make sure power flow to the wall outlet is "ON".
	Battery needs charging	Be sure to charge the battery after each use.
	Wrong type or improperly installed fuse	Make sure that the battery has a properly installed Power Wheels® 25 amp fuse before charging. Do not substitute parts.
	Battery is old and will not accept full charge	Even with proper care, rechargeable batteries do not last forever. Average battery life is 1 to 3 years depending on the vehicle use and use conditions. Replace the battery with a Power Wheels® Type H 6 Volt battery. Do not substitute parts.
	Vehicle is overloaded	Make sure you do not overload the vehicle by allowing more than 1 rider at one time, exceeding the 50 lb weight capacity, or by towing objects behind the maximum vehicle. If the vehicle is overloaded, the fuse in the battery may blow. Remove the fuse from the battery and check to see if it has blown. Replace a blown fuse with a Power Wheels® 25 amp fuse.
Driving conditions are too stressful	Use only on generally level ground. Extreme temperatures can also affect run time.	
Sometimes the vehicle doesn't run but other times it does	Loose wire or loose connectors	Check all wires and connectors. Make sure the battery connector is tightly plugged into the motor harness connector, and that there are no loose wires around the motors.
	Motor or electrical switch damage	Contact your local Power Wheels® authorized service center for diagnosis and repair.
When the foot pedal is pressed, the vehicle won't run without a push	Loose wire or loose connectors	Check all wires and connectors. Make sure the battery connector is tightly plugged into the motor harness connector, and that there are no loose wires around the motors.
	"Dead Spot" on motor	Contact your local Power Wheels® authorized service center for diagnosis and repair.

# Problems and Solutions Guide

Problem	Possible Cause	Solution
Vehicle constantly blows fuses	Wrong type of fuse used	Your vehicle requires a Power Wheels® 25 amp fuse in the battery. Make sure the Power Wheels® 25 amp fuse is properly installed. Do not substitute parts.
	Child is switching between FORWARD and REVERSE without stopping.	Teach your child to stop the vehicle before switching between FORWARD and REVERSE.
Loud clacking or grinding noise from a motor-gearbox	Broken gears	Contact your local Power Wheels® authorized service center for diagnosis and repair.
Charger gets warm during use	It is normal for some chargers to get warm during use and is not reason for concern. Some chargers do not get warm during use.	No action required.
		If your charger does not get warm during use, it does not mean that it is not working properly.
Battery makes a sizzling or gurgling noise when charging	It is normal for some batteries to make noise and swell slightly while charging and is not reason for concern. Some batteries do not make noise or swell while charging.	No action required.
		If your battery does not make noise or swell slightly during charging, it does not mean that it is not accepting the charge.

If, after reviewing the Problems and Solutions Guide, the vehicle still fails to operate, please contact your nearest authorized service center (see page 25) or contact Power Wheels® Consumer Relations toll-free at **1-800-348-0751**.

**Hint:** For faster service when calling Consumer Relations, completely charge the battery before calling and have the following available by the phone:

- vehicle,
- vehicle model number (see sticker in battery compartment),
- vehicle production run number (see sticker in battery compartment),
- Phillips screwdriver, slotted screwdriver and needle-nose pliers with plastic or rubber handles,
- an extra Power Wheels® 25 amp fuse is helpful.

**\*One year limited warranty from the date of purchase on the Power Wheels® vehicle.**

**Six month limited warranty on 6 volt battery.**

For the original purchaser, this one year limited warranty covers the Power Wheels® ride-on vehicle (purchased from Power Wheels®) against defects in materials and workmanship. The six month limited warranty applies only to the 6 volt battery included by Power Wheels® with the original purchase of the vehicle.

This warranty covers normal use and does not cover the Power Wheels® vehicle or battery if it has been damaged by unreasonable use, neglect, accident, abuse, misuse, improper service or other causes not arising out of defects in materials or workmanship. Evidence of any attempt at consumer repair will void this warranty.

THIS WARRANTY DOES NOT COVER, AND IS INTENDED TO EXCLUDE, ANY LIABILITY ON THE PART OF POWER WHEELS®, WHETHER UNDER THIS WARRANTY OR IMPLIED BY LAW, FOR ANY INDIRECT OR CONSEQUENTIAL DAMAGES FOR BREACH OF WARRANTY. SOME STATES DO NOT ALLOW THE EXCLUSION OR LIMITATION, SO THIS LIMITATION MAY NOT APPLY TO YOU.

Should you need service or assistance with your vehicle during the warranty period, **do not return the vehicle to the store.** Power Wheels® has provided a nationwide network of authorized service centers. Please refer to the list in this manual. Power Wheels® is continually expanding our Authorized Service Center Network. If there is not an authorized service center in your area, please call Consumer Relations for information, **1-800-348-0751**.

This warranty gives you specific legal rights, and you may also have other rights which may vary from state to state.

**Please save your original sales receipt.**





# Authorized Service Centers

We are continually expanding our Authorized Service Center Network. Please check this listing for the Authorized Service Center nearest you. If there is not one in your area, please call Power Wheels® Consumer Relations at 1-800-348-0751.

## ALABAMA

**BIRMINGHAM** - Frigid Service & Sales, 701 Graymont Ave. North, 35203, (205) 323-5831

**BIRMINGHAM** - Frigid Service & Sales, 1861 Centerpoint Rd., 35215, (205) 853-3952

**BIRMINGHAM (HOMEWOOD)** - Frigid Appliance Center, 154 West Valley Ave., 35209, (205) 942-3959

**DECATUR** - Peddler II, 1000 B Beltline Road, 35603, (205) 350-1044

**DOTHAN** - Bill's Appliance Service, 208 Bic Road, P.O. Box 1192, 36303, (334) 792-7746

**DOUGLAS** - Brown Hardware, Highway 75, 35964, (205) 593-6086

**HUNTSVILLE** - C & G Appliance, 307 Jordan Lane, 35805, (205) 837-4551

**MOBILE** - Foster's Appliance Repair, 1660 South Beltline Highway, 36693, (334) 666-2670

**NORTHPORT** - Appliance Connection, 2703 McFarland Blvd, 35476, (205) 339-2774

**TROY** - Specialty Batteries, 1317 S. Brundidge St., P.O. Box 1045, 36081, (334) 670-6800, (800) 477-8230

## ALASKA

**ANCHORAGE** - Ken's Electronics Service, 360 E. Inter-national, Ste. 8, 99518, (907) 562-3443

**FAIRBANKS** - Appliance Service Co. Inc., 700 23rd Ave., 99701, (907) 452-1000

## ARIZONA

**COTTONWOOD** - Blackhills Auto Electric, 951 Blackhills Dr. Suite D, 86326, (520) 634-4159

**GLENDALE** - Elliott Electric Appliance Service, 6242 N. 43rd Avenue, 85301, (623) 937-2613

**SCOTTSDALE** - Elliott Electric, 7515 E. McDowell Road, 85257, (480) 946-7487

**TUCSON** - Arizona Small Appliance Service Co., 5033 E 5th Street, 85711, (520) 325-3988

## ARKANSAS

**FT. SMITH** - Bromley Appliance Service, 614 North 10th Street, 72901, (501) 782-9646

**GLENWOOD** - Gardening Plus, 110 North 2nd Street, 71943, (870) 356-2233

**JONESBORO** - Best Sewing & Vacuum & Repair, 2235 S. Caraway Road, 72401, (501) 935-4739, (800) 844-4739

**LITTLE ROCK** - C & W Tool Repair, 1303 W. Markham, 72201, (501) 374-1911

**ROGERS** - Kressel's Vacuum & Repair, 115 North 5th Street, 72756, (501) 636-7894

**STUTTGART** - Davis Lumber Company, 301 East Michigan, 72160, (501) 673-3601

## CALIFORNIA

**ANDERSON** - Hardware Express/ Do It Best, 2681 Balls Ferry Road, 96007, (916) 365-3783

**BAKERSFIELD** - Southwest TV, 6300 White Lane, Suite B, 93309, (805) 397-4940

**CONCORD** - California Electric Service Center, 1170-G Burnett Avenue, 94520, (610) 827-1011

**COVINA** - California Electric Service Center, 612 Shoppers Lane, 91723, (818) 915-4935

**FORT JONES** - Ft. Jones Frontier Hardware, 11911 Main Street, 96032, (916) 468-2266

**FRESNO** - Valley Small Appliance, 4005 E. Ashlan Avenue, 93726, (209) 224-5530

**FULLERTON** - California Electric Service Center, 1208 E. Ash Avenue, 92631-5020, (714) 870-0900

**LAKE FOREST** - California Electric Service, 22500 Muirlands Suite B, 92630, (949) 586-9440

**LOS ALAMITOS** - California Electric Service Center, 11284 Los Alamitos Blvd., 90720, (562) 430-2668

**OAKLAND** - California Electric Service Center, 1139 E. 12th Street, 94606, (510) 834-1050

**PASADENA** - California Electric Service Center, 2594 E. Colorado Blvd., 91107, (818) 792-3194

**SACRAMENTO** - California Electric Service Center, 1821 "Q" Street, 95814, (916) 443-5711

**SALINAS** - SRS Hobbies, 1038A North Davis Road, 93907, (831) 424-4044, (800) 414-4547

**SAN DIEGO** - California Electric Service Center, 3430 El Cajon Blvd., 92104, (619) 283-6488

**SAN JOSE** - California Electric Service Center, 481 So. Bascom, 95126, (408) 295-1723

**SANTA ROSA** - Hardisty's Inc., 710 Farmers Lane, 95405, (707) 545-0535

**SKY FOREST** - Sky Forest Electrical, 28670 Highway 18 P.O. Box 496, 92385, (909) 337-0811

**TEMECULA** - California Electric Service Center, 41715 Enterprise Circle North, Suite 101, 92590, (909) 296-0205

**VAN NUYS** - California Electric Service Center, 14753 Oxnard Blvd., 91411, (818) 997-8855

**WEST LOS ANGELES** - California Electric Service Center, 2314 S. Westwood Blvd., 90064, (310) 475-2532

**YUCAIPA** - Aire-Rite Heating & A/C, 34724 Yucaipa Blvd., 92399, (909) 797-2788

## COLORADO

**COLORADO SPRINGS** - Nelson Appliance Repair, Inc., 1220 E. Fillmore, 80907, (719) 635-1928, (800) 291-8010

**DENVER** - Appliance Service, 4272 Lowell Blvd., 80211, (303) 458-1109, (800) 631-0941 (CO. WY only)

**GRAND JUNCTION** - V & L Appliance Service, 591 25 Road Suite A6, 81506, (970) 243-3360

**PUEBLO** - Direct Maytag Home Appliance, 1407 Santa Fe Drive, 81006, (719) 543-0777

## CONNECTICUT

**HARTFORD** - Hartford Element & Appliance Service, 1500 Albany Ave., 06112, (860) 246-7424, (800) 787-7977

**NEW HAVEN (HAMDEN)** - New Haven Appliance Service Center, 1627 Dixwell Ave., 06514, (203) 288-6229

**SHELTON** - Jeff's Appliance, Inc., 500A Howe Avenue, 06484, (203) 924-8997

**STAMFORD** - Appliance Servicercenter of Stamford, 15 Cedar Heights Road, 06905, (203) 322-7656

**WATERBURY** - P-J Appliance Repair, 935 South Main Street, 06706, (203) 757-1014

## DELAWARE

**WILMINGTON** - Lyons Hardware, Inc., 2021 Kirkwood Highway, 19805, (302) 995-1260

## FLORIDA

**ATLANTIC BEACH** - First Coast Repair, 25 Seminole Road, 32233, (904) 246-4616

**BOYNTON BEACH** - Mister Fixit Small Appliance, 1865 W. Woolbright Road, 33425, (561) 243-9999

**CALLAHAN** - Arc Electronic Repair, 951 Blackhills Dr. Suite D, 32011, (904) 879-3556

**CAPE CORAL** - Family Hardware/Do-It Express, 622 SE 47th Terrace, 33904, (941) 542-6365

**DELRAY** - Mister Fix It, 209 S.E. 2nd Avenue, 33483, (561) 243-9999

**GAINESVILLE** - Authorized Appliance Service Co., 2614 S.W. 34th Street, 32608, (352) 375-3886

**HIALEAH** - S-O Service Co., 925 Hialeah Drive, 33010, (305) 887-6275

**HOMESTEAD** - C. M. S., Inc., 1996 N. E. Campbell Drive, 33033, (305) 247-9700

**JACKSONVILLE** - Authorized Appliance Service Co., 6120-5 Powers Avenue, 32217, (904) 737-5312

**LAKE CITY** - S&S Mowers Inc., RT. 10 Box 35916, 32025, (904) 755-2957

**LAKELAND** - Electric Shaver & Small Appliance, 4243 S. Florida Avenue, 33813, (863) 644-4690

**MIAMI** - Goodman's Sales & Service, 13130 SW 128 Street # 3, 33186, (305) 278-8822

**NORTH PALM BEACH** - Appliance Doctors, 450 Northlake Blvd., 33408, (407) 845-0377

**OCALA** - Vacuums Center and Gifts, 422 South Pine Street, #103, 34474, (352) 732-6335

**ORLANDO** - Pine Hills Appliance Svc. Co., 6100-4 W. Colonial Drive, 32808, (407) 299-1271

**ORLANDO** - Southern Electric Co., 510 N. Parramore Avenue, 32801, (407) 841-8824, (800) 940-8824

**PANAMA CITY** - Callaway Vacuum & Sewing, 221 N. Tyndal Prkwy., 32404, (904) 763-6333

**PENSACOLA** - Foster's Appliance Repair, 3836 N. Davis Highway, 32503, (904) 432-8853

**POMPANO BEACH** - Authorized Appliance Service Co., 2171 N. Dixie Highway, 33060, (954) 941-2038

**PORT ST. LUCIE** - Appliance Doctors, 10632 South Federal Hwy, 34952, (561) 878-7869

**SARASOTA** - Sunray Small Appliances, 8371 N. Tamiami, 34243, (941) 358-9999, (800) 895-5655

**SEBRING** - Ace Hardware Of Sebring, 305 U.S. 27 North, 33870, (863) 385-2785

**SPRING HILL** - Ace Hardware #5304F, 5350 Spring Hill Dr., 34606, (352) 686-4743

**SPRING HILL** - National Floor Care, 5588 Commercial Way, 34606, (352) 686-6711, (800) 245-1946

**ST. PETERSBURG** - Keystone Electric, 4604 Central Avenue, 33711, (813) 321-1124

**STUART** - Appliance Doctors, 3166 S.E. Dixie Highway, 34997, (561) 287-6437

**SUNRISE** - Muller Appliance Service, 2116 North University Drive, 33322, (954) 749-5460

**VERO BEACH** - Hoppe's Authorized Vacuum and Appliance, 1872 Commerce Ave., 32960, (561) 562-4466

**WEST PALM BEACH** - Satisfaction TV Video, 1980 S. Congress Ave., 33406, (561) 439-3733, (800) 477-3734

**WILLISTON** - Future Electronics, 10 SW 7th Street, 32696, (352) 528-5599, (800) 416-1114

## GEORGIA

**ATLANTA** - Georgia Service Center, 5366 Buford Hwy., 30340, (770) 455-1716, (800) 455-1715

**AUGUSTA** - A & A Appliance Parts & Service, 1708 Walton Way, 30904, (706) 733-5163

**BRUNSWICK** - Arco Hardware & Supply, 3711 Community Road, 31520, (912) 267-0771

**COLUMBUS** - Burrell's National Appliance Service, 1728 Warm Springs Road, 31904, (706) 327-0523

**NORCROSS** - Appliance Connection, 5172-C Brook Hollow Parkway, 30071, (770) 734-9888, (800) 964-7455

**GAINESVILLE** - Bike Town USA, 1604 Dawsonville Highway, 30501, (770) 532-7090

**LOGANVILLE** - Loganville Lawn Mower, 157 C. S. Floyd Road, 30052, (770) 466-9111

**SAVANNAH** - Hagins Appliance Service, 3 West Victory Drive, 31405, (912) 233-8372

**THOMASVILLE** - Carroll Hill Auto, 115 Albany Road, 31799, (912) 266-0717

**VALDOSTA** - Harry B. Anderson, Inc., 204 E. Central Avenue, 31601, (912) 242-5945

**WOODSTOCK** - All City Appliance Inc., 8477 Highway 92 Suite 110, 30189, (770) 924-2375

## HAWAII

**HONOLULU** - McCully Bicycle & Sporting Goods, 9322 Hauken Street, 96826, (808) 946-1192

**WAILUKU (MAUI)** - Tom's Appliance Sales & Service, 1816 Mill Street, Suite 104, 96793, (808) 244-6278

**WAIPAHU** - Gary's Bike World, 94-910 Moloalo Street, 96797, (808) 375-4262

## IDAHO

**BOISE** - Boise Appliance, 1503 Main Street, 83702, (208) 343-0102

**IDAHO FALLS** - Rossiter Electric, 1501 South Capital Avenue, 83402, (208) 529-3665

## ILLINOIS

**CHAMPAIGN** - Appliance Parts & Service Center, 905 Francois, 61821, (217) 355-0220

**CHICAGO (BERWYN)** - Brand Service Center, 6739 West Cermak, 60402, (708) 749-4315

**CHICAGO (DOWNER'S GROVE)** - Authorized Appliance Service Co., 1644 W. Ogden Avenue, 60515, (830) 852-1550

**CHICAGO (MORTON GROVE)** - Brand Service Center, Inc., 5618 Dempster Street, 60053, (847) 965-5900

**DECATUR** - Rexx Battery of Decatur, Inc., 1330 East Eldorado, 62521, (217) 422-0281

**FAIRVIEW HEIGHTS** - Rapid Rentals, 720 Lincoln Highway, 62087, (618) 632-0630

**GRANITE** - Midwest Golf Car & Equipment Co., 904 Thorngate Road, 62040, (618) 797-2278

**HAMILTON** - Discount Battery Sales, #80 S 2nd Rte. 136, 62341, (217) 847-3242

**JACKSONVILLE** - Rexx Battery Specialists, 847 South Main Street, 62650, (217) 245-2713

**LINCOLN** - Rexx Battery Specialists, 504 Keokuk, 62656, (217) 732-2885

**LOVES PARK** - Hi-Tech Controls Inc., 2198 Nimtz Road, 61111, (815) 637-4015

**MT. VERNON** - Battery Specialists, 1018 South 10th Street, 62864, (618) 244-0091

**NASHVILLE** - Kesel Hardware, 173 West St. Louis, 62263, (618) 327-8957

**NILES** - Household Appliance Sales & Serv., 7411 N. Milwaukee Ave., 60714, (847) 647-8250

**PEORIA** - Brand Service Center, 6926-I N. University Street, Tanglewood Center, 61614, (309) 691-7588

**SPRINGFIELD** - Bannon Electronics, 1224 N. Franklin, 62702, (217) 523-0313

**TAYLORVILLE** - Battery Specialists & Golf Cars, 800 Springfield Road, 62568, (217) 824-3943

## INDIANA

**EVANSVILLE** - Electro Hygiene Co., 1614 S Kentucky, 47714, (812) 425-2671

**FT. WAYNE** - HWI Hardware & Paint, 6043 Stellhorn Road, 46815, (219) 485-8861

**FT. WAYNE** - Southside Vacuum Co. Inc., 3702 South Calhoun Street, 46807, (219) 745-7788, (888) 209-8113

**INDIANAPOLIS** - Brand Service Center, 1827 N. Meridian Street, 46202, (317) 924-1386

**INDIANAPOLIS** - Sullivan Hardware Do-It Center, 7021 N. Keystone, 46220, (317) 255-9230

**NEW ALBANY** - Wells Hardware, Inc., 1011 Vincennes Street, 47150, (812) 944-4523

**SOUTH BEND** - Ray's TV and Appliance, 60717 US 31 South, 46614, (219) 291-1630

**SOUTH BEND (OSCEOLA)** - AAA Appliance Service Co., 11868 Lincoln Way West, 46561, (219) 679-4981

# Authorized Service Centers

**TERRE HAUTE** - Corey Electronics, 1101 S. 8th Street, 47802, (812) 232-8786, (888) 232-8786

## IOWA

**BETTENDORF** - K & K True Value Hardware, 1818 Grant Street, 52722, (319) 359-4473

**CEDAR RAPIDS** - Stalker Electric, Inc., 110 3rd Ave. SW, 52404, (319) 364-5646

**COUNCIL BLUFFS** - Millard Television Inc., 1840 Madison Avenue, 51501, (712) 322-9552

**DES MOINES** - Quality Appliance Repair Center, 1417 Walnut Street, 50309, (515) 288-0108

**DUBUQUE** - Shaver's Plus, 450 Central Avenue, 52001, (319) 556-4442

**FT DODGE** - Messerly Electronics, 614 1st Avenue South, 50501, (515) 576-4480

**GRINNELL** - Bikes To You Inc., 921 Broad Street, 50112, (515) 236-8600

**MARSHALLTOWN** - Blink Electric Motors, Inc., Rear 116 N 1st Avenue, 50158, (515) 752-3036

**NORTH LIBERTY** - Ace Electric, Inc., 165 Hwy 965 NE, 52317, (319) 626-3007, (800) 326-3007

**SIOUX CITY** - Millard Television Inc., 1419 Hamilton Blvd., 51103, (712) 258-3435

## KANSAS

**CHANUTE** - Zimmerman Electric Service, 1202 West Beech, P.O. Box 533, 67720, (316) 431-2260, (800) 362-0909

**COLBY** - Gavon's Electronics, 1870 South Range, 67701, (913) 462-6601

**JUNCTION CITY** - R/C Hobbies, 115 W. 7th Street, 66441, (913) 238-1877

**KANSAS CITY (OVERLAND PARK)** - Mar-Beck Appliance Service Co., 8471 West 95th Street, 66212, (913) 642-1557

**SPEARVILLE** - Quality Parts, P.O. Box 126, 406 North Main, 67876, (316) 385-2624

**WICHITA** - Alan Appliance Service, Inc., 1300 E. Central, 67214, (316) 262-7228, (800) 290-7228

## KENTUCKY

**GREENVILLE** - Malone Lumber Do-It Center, 204 W. Depot Street, 42345, (270) 338-3252

**LEXINGTON** - AutoHobby Model Raceway, 1474 Anniston Drive, 40505, (859) 299-4925

**LOUISVILLE** - Maury's Fluorescent & Appliance Service, 1521 Bardstown Road, 40205, (502) 456-1671

**OWENSBORO** - Kuester's Hardware, 1210 Carter Road, 42301, (270) 685-4916

**PADUCAH** - Hank Brothers True Value, 3101 Lone Oak Rd., 42003, (270) 554-4001

## LOUISIANA

**BAKER** - Gayle Battery Distributors, 16555 Plank Road, 70714, (225) 774-7475

**BATON ROUGE** - Home Appliance Service, Inc., 10781 Florida Blvd., 70815, (504) 272-7727

**HAMMOND** - Battery Depot, 2323 Hwy 190 East Suite #4, 70401, (504) 542-4983

**LAFALETTE** - Cullen's Playland, 4498 Johnston Street, 70503, (337) 981-2929

**LAKE CHARLES** - Capitol Schwinn Cyclery, 722 E. Prien Lake Road, 70605, (337) 474-9090

**NEW IBERIA** - Voorhies Supply Company, 401 W. St. Peter Street, 70560, (337) 364-2431

**NEW ORLEANS (METAIRIE)** - Le Jouet, Inc., 1700 Airline Hwy., 70001, (504) 837-0533

**SHREVEPORT** - Shreveport Shaver and Appliance, 9750 St. Vincent, Burt Kouns Ind. Loop, 71106, (318) 865-5088, (800) 349-7722

## MAINE

**GREENE** - Brule's Auto Clinic & Sales, 968 Sawyer Road, 04236, (207) 375-4872

**PERU** - Mountain Valley Sports, 58 Ridge Road, 04290, (207) 562-7164

**PORTLAND** - Colonial Electronics, Inc., 259 St. John Street, 04102, (207) 774-6666

## MARYLAND

**ABERDEEN** - Burkheimer Garden Equipment, 651 Gilbert Road, 21001, (410) 734-4577

**BALTIMORE** - Colgate Hardware, 6711 Holabird Ave., 21222, (410) 633-6363

**BERLIN** - Myers Auto-Power Tool Rental Co., Inc., 10714 Ocean Gateway, 21811, (410) 641-3497

**GAITHERSBURG** - Waters Appliance Service, 216 E. Diamond Ave., 20877, (301) 258-7500, (800) 225-5009

**GLEN BURNIE** - Taylor Rental, 7389 Baltimore Annapolis Blvd., 21061, (410) 768-1933, (800) 836-8464

**LOVEVILLE** - Hancock Refrigeration Co Inc, 28650 Point Lookout Rd, 20656, (301) 475-8298

## MASSACHUSETTS

**BOSTON (MEDFIELD)** - Wills Hardware, 5 Janes Avenue, 02052, (508) 359-4381

**LOWELL** - Lowell Appliance Service Center, Inc., 564 Dutton Street, 01854, (508) 454-8731

**MAYNARD** - Gramp's Garage, 16 Main Street, 01754, (508) 461-0463

**NEEDHAM** - Suburban Appliance Service Center, 34 Wexford Street, 02492, (781) 449-8787

**QUINCY** - Appliance Service and Parts, Inc., 582 Wash-ington Street, Rt. 3A, 02169, (617) 773-6656

**SALEM** - Fix Master, Inc., 190 N. St., 01970, (508) 745-0004

**SPRINGFIELD** - Utility Electric Service, Inc., 810 Main Street, 01101, (413) 781-1635

## MICHIGAN

**ALMA** - JTS Electronics, LLC, 306 East Center Street, 48801, (517) 463-5871

**ALMONT** - Almont Do It Center #5336, 4545 Vandyke, 48003, (810) 798-8922

**BAY CITY** - Bay Vac & Pedal, 805 Columbus Ave., 48708, (517) 892-7516

**BRIGHTON** - Complete Battery Source, 8023 W. Grand River, 48116, (810) 220-1050

**DEARBORN** - McNichols Electric Service, 1836 Grindley Park, 48124, (313) 563-7550

**DETROIT** - McNichols Electric Service, 13725 W. McNichols, 48235, (313) 342-6070, (800) 562-4226

**DETROIT (ROYAL OAK)** - McNichols Electric Service, 4115 West 13 Mile Road, 48072, (810) 288-5135

**FLINT (DAVISON)** - Gill-Roy's Hardware, 8405 E. Davison, 48423, (810) 653-2288

**FLINT (SWARTZ CREEK)** - Gill-Roy's Hardware, 9061 Miller Road, 48473, (810) 635-2020

**GAYLORD** - Alpine Electronics, 604 West Main, 49735, (517) 732-5004, (800) 244-6633

**GRAND RAPIDS** - Superior Appliance Service Co., 1050 Scribner Avenue, NW, 49504, (616) 459-3271

**JACKSON** - Hammond Hardware, 1800 Francis St., P.O. Box 7, 49204, (517) 782-0704

**LANSING** - Rapid Appliance Service, Inc., 1454 E. Michigan Avenue, 48912, (517) 485-1320

**MARLETTE** - Thumb Appliance and Retail Center, 3441 Main Street, 49684, (517) 635-7848

**MIDLAND** - Gill-Roy's Complete Hardware, 3128 Jefferson Ave., 48640, (517) 832-2774

**PRUDENVILLE** - Ford's Do-It Center, 841 W. Houghton Lake Drive, 48651, (517) 366-7622

**ROYAL OAK** - McNichols Electric Service, 4115 Thirteen Mile Road, 48072, (248) 288-5135

**TRAVERSE CITY** - Gil-Roy's Hardware, 2701 Zimmerman Road, 49684, (231) 929-8160

## MINNESOTA

**BLAINE** - Barness #1, 8701 Central Ave. NE, 55434, (763) 780-7229

**BRAINERD** - Git A'Round, 4299 Hwy. 371 North, 56401, (218) 828-8088

**DULUTH** - All Brand Mr. Fixit, 16 West First Street, 55802, (218) 722-1499

**ST. PAUL** - Barness, 1573 University Avenue, 55104, (612) 646-3109

## MISSISSIPPI

**HATTIESBURG** - Champion Cycle & Fitness, 2625 Lincoln Road, 39402, (601) 310-0270

**IUKA** - W. H. Fairless Hardware Co., Inc., 117 Fulton Street, 38852, (662) 423-9256, (800) 797-9457

**JACKSON (RIDGELAND)** - Propeller Service, 291 Hwy. 51, Suite D6, 39157, (601) 856-3191

**MERIDIAN** - Broadmoor Home Center, 2420 Old North Hills Street, P.O. Box 3280, 39305, (601) 483-7373

**SALTILLO** - Polaris Outdoor World, 3463 Tom Watson Drive, 38866, (662) 680-4733

**STARBUCK** - East Mississippi Lumber Co., 300 Russell Street, 39759, (662) 323-3554

## MISSOURI

**GLADSTONE** - Mar-Beck Appliance Service Co., 6559 North Oak Traffic Way, 64118, (816) 436-9191

**HANNIBAL** - Williams Equipment & Electric Motor, 124 Corporate Square, 63401, (573) 248-3887, (877) 234-6873

**INDEPENDENCE** - Mar-Beck Appliance Service Co., 4476 South Noland Road, 64055, (816) 478-1889

**KANSAS CITY** - Mar-Beck Appliance Service Co., 303 W. 79th Street, 64114, (816) 523-6931

**POPLAR BLUFF** - Mills Iron & Supply, 1919 S. Westwood Blvd., 63901, (573) 785-2628

**ST. LOUIS** - Authorized Appliance, Inc., 2355 Hampton Avenue, 63139, (314) 647-4250

## MONTANA

**BILLINGS** - Radio Equipment Company, 1120 16th Street West, 59104, (406) 256-9778, (800) 711-4024

## NEBRASKA

**GRAND ISLAND** - Munt's Small Appliance & Vacuum Repair, 1822 W. Northfront Street, 68803, (308) 382-5084

**LINCOLN** - CB Small Appliance, 432 South 11th Street, 68508, (402) 475-2546

**LINCOLN** - Sperry TV, 1115 North 47th St., 68503 (402) 464-9181

**LINCOLN** - Sperry TV, 3201 Pioneer, Suite 33, (402) 329-8111

**NORTH PLATTE** - Sperry TV, 1855 West A Street, Westfield Shopping Center, 69010, (308) 532-5200

**OMAHA** - Myers Electric Co., 7342 Farnam, 68114, (402) 393-8388, (800) 234-1414

## NEVADA

**LAS VEGAS** - Burney's Commercial Service, Inc., 4480 Aldebaran Avenue, 89103, (702) 736-0006

**MINDEN** - Valley Home & Sport Center, 1587 Highway 395, 89423, (775) 782-5111

## NEW HAMPSHIRE

**MARLBOROUGH** - Electronics Aid Inc., 32 Roxbury Road P.O. Box 325, 03455, (603) 876-4161

## NEW JERSEY

**DENVILLE** - Ranit's Denville Vacuum & Appliance, 12 Broadway, 07834, (973) 627-1156

**HAWTHORNE** - Ter Kuile, Inc., 206 Diamond Bridge Avenue, 07506, (201) 423-1142

**HIGHLAND PARK** - Dash Electronics, 10 North Second Ave, 08904, (732) 247-2495

**HOWELL** - South Jersey TV Service, Inc., 4232 Rt. 9 South, 07731, (908) 363-5550, (800) 244-3094

**MABLEWOOD** - Kiss Electrical, 36 Newark Way, 07040, (973) 275-9400

**SOUTHAMPTON** - Southampton Auto Center, 1831 Rt. 206, 08088, (609) 859-3987, (609) 859-3341

**SICKLERVILLE** - Sicklerville Hardware, 540 Williamstown Road, 08081, (856) 728-3800

**TOMS RIVER** - South Jersey TV Service, Inc., Stella Towne Center, 1258 Rt. 166, 08753, (908) 505-1771

**TRENTON** - Tattersall, Inc., 309 N. Willow Street, 08618, (609) 393-4293

## NEW MEXICO

**ALBUQUERQUE** - Appliance Service Center, 5505 Silver Avenue, SE, 87108, (505) 265-7774

**CLOVIS** - Burns Hardware, 1511 N. Prince, 88101, (505) 769-2528

## NEW YORK

**ALBANY** - Lake Electronic Service, 1650 Central Avenue, 12205, (518) 869-8424, (800) 585-3777

**BAYSHORE, L.I.** - Turnpike Appliance of Suffolk, Inc., 1253 Sunrise Highway, 11706, (631) 665-8311

**BINGHAMTON** - Hardware Fare DO-IT Center, 1139 Front Street, Nimmonsburg Square, 13905, (607) 722-9202

**BRONX** - Home Appliance Vacuum Word, 5902 Riverdale Avenue, 10471, (718) 884-4600

**BUFFALO (WILLIAMSVILLE)** - Hector's Hardware, 876 Maple Road, 14221, (716) 688-4488

**BUFFALO (HAMBURG)** - K-Technologies, 5424 Abel Road, 14075, (716) 649-5460

**COMMACK, L.I.** - Turnpike Appliance Service, 6181 Jericho Turnpike, 11725, (631) 499-3355

**EAST AURORA** - Sem-Fab of Western New York, 455 Olean Road, 14052, (716) 655-5228

**ELMIRA** - Capabilities, Inc., 1149 Sullivan Street, 14901, (607) 734-2006

**HOWARD BEACH** - Crossbay Appliance Service, 158-34 Crossbay Blvd, 11414, (718) 843-4422

**HUDSON** - Sweeps Vacuum & Repair Center, Inc., 705 Warren Street, 12534, (518) 828-5457

**MONTICELLO** - Wayne's Small Engine, 79 St. John Street, 12701, (845) 796-1851

**OCEANSIDE** - Turnpike Appliance Service, 3495A Lawson Boulevard , 11572, (516) 486-5700

**POUGHKEEPSIE** - S & S Appliance Sales & Service, 390 Violet Avenue, 12601, (914) 452-6122

**RICHMOND HILL** - Lockdoctor Locksmiths, 104-37 Atlantic Ave., 11418 (718) 441-6242

**ROCHESTER** - Benfante Appliance Service, 1286 Mt. Hope Avenue, 14620, (716) 473-8765

**STATEN ISLAND** - Springstead Lumber 6232, 4255 Amboy Road, 10308, (718) 984-0300

**SYRACUSE** - County Wide Appliance, 1001 N. State Street, 13208, (315) 479-5253, (877) 479-5253

**TUCKAHOE** - Authorized Appliance of Westchester, 26 Columbus Ave., 10707, (914) 961-8011

**WARWICK** - Wadson Home Center, 60 Forester Ave., 10990, (845) 987-2215, (800) 982-2215 (NY only)

**YORKVILLE** - Yorkville Battery Inc., 126 Whitesboro Street, 13495, (315) 736-2307

## NORTH CAROLINA

**ANDREWS** - Smoky Mountain Hobbies, 200 Stewart Road, 28901, (828) 321-9836

**ASHEVILLE** - Skyland Hardware, 3179 Sweetens Creek Road, 28803, (704) 684-0308

**CHARLOTTE** - Authorized Appliance Servicer, 1020 Tuckaseegee Road, 28208, (704) 377-4501, (800) 532-6127

**CLINTON** - Danny's Service Center, 119 Vance Street, 28328, (910) 592-3200

**ELIZABETH CITY** - Coastal Office Equipment Co., 501 East Church Street, 27909, (919) 335-2927

**JACKSONVILLE** - Discount Sales and Service, 468-B Western Blvd., 28456, (910) 455-6700

**RALEIGH** - Authorized Appliance Service Center, 800 North Person Street, 27604, (919) 834-3476

**WINSTON-SALEM** - Authorized Appliance Service Center, 904 S. Marshall Street, 27117, (910) 725-5396

## NORTH DAKOTA

**BISMARCK** - Guitarland, 210 E Main Street, 58501, (701) 255-0212

# Authorized Service Centers

**DICKINSON** - Fix It Shop, 316 21st Street E, 58601, (800) 871-0766

**FARGO** - General Parts & Supply Co., 10 S. 18th St, 58103, (701) 235-4161, (800) 279-9987

## OHIO

**AKRON** - Advanced Appliance Service Company, 73 W. Exchange Street, 44308, (330) 762-8968

**BROOKLYN HEIGHTS** - Philips Consumer, 950 Keynote Circle, 44131, (216) 741-3334, (800) 331-7037

**CANTON** - Appliance Parts Co., 1267 Dueber Avenue, SW, 44706, (330) 453-8077

**CINCINNATI** - H&S Service, 458 Cincinnati Batavia Pike, 45244, (513) 528-0808

**CLEVELAND (MENTOR)** - Lake Erie Lawn & Garden, 7833 Munson Rd., 44060, (216) 257-9000

**CLEVELAND (PARMA)** - Majors Appliance, 5785 Ridge Road, 44129, (216) 884-7200

**CLEVELAND (WESTLAKE)** - Philips Consumer Electronics, 24090 Detroit Avenue, 44145, (216) 899-2040, (800) 331-7037

**DAYTON** - Laver Electric, 603 South Ludlow Street, 45402, (937) 224-9608

**DAYTON (NEW CARLISLE)** - Ballweg Do-It Center, 3300 South Dayton, Lakeview Rd., 45344, (937) 849-1306

**GALION** - Allied Electrical Repair, 1404 Harding Way East, 44833, (419) 468-4962, (800) 648-6771

**LIMA** - Crouse Lumber Do-It Center, 333 E. Market Street, 45801, (419) 229-9070, (800) 826-9663

**MANSFIELD** - Boliantz Hardware, 860 Ashland Road, 44905, (419) 589-5467

**PORTSMOUTH** - Market St Hardware & Toy Town, 217 Market Street, 45662, (740) 456-5704

**STRYKER** - Short's Hardware, 115 N. Depot Street, 43557, (419) 682-4231

**TOLEDO** - Broadway Sales and Appliance Repair, 1621 Broadway, 43609, (419) 241-9731, (800) 436-5415

**WELLINGTON** - Travelite Inc., 100 Industrial Avenue, P.O. Box 60, 44090, (440) 647-3670, (800) 326-0406

**YOUNGSTOWN** - O'Connor's, 3224 Market Street, 44507, (330) 782-4705

## OKLAHOMA

**ADA** - Bert's Supply Co, Hwy 99, 74820, (580) 332-7295, (800) 259-7202

**McCALESTER** - Quality Upholstery, 803 East Gene Stipe Blvd., 74501, (918) 423-4747

**OKLAHOMA CITY** - Appliance Services by CK, 101 East Madison, 73105, (405) 525-8862

**OKLAHOMA CITY** - Oklahoma Service Center, 1940 North May Street, 73107, (405) 946-9841

**TULSA** - H.L. Moss, Inc., 1714 E. 15th Street, 74104, (918) 744-1305, (800) 248-5948

## OREGON

**EUGENE** - Oldfield's, 1465 West 7th, 97402, (541) 485-6000, (800) 944-0238

**PORTLAND** - Appliance Repair Central, 2033 N. E. Columbia Blvd, 97211, (503) 285-1828, (800) 588-7339

## PENNSYLVANIA

**ALTOONA** - Frye's Sweeper & Sewing Center, Inc., 1400 Valley View Boulevard, 16602, (814) 943-5001, (800) 640-1308

**BUTLER** - Battery Warehouse, 469 Cunningham Street, 16001, (724) 287-3191

**CRANBERRY** - Batteries Plus North, Cranberry Towne Plaza 20808 Route 19, 16066, (724) 742-1690

**ERIE** - Parke T. Morrow Inc., 627 West 26th Street, 16508, (814) 455-7566

**GROVE CITY** - Battery Warehouse, 620 East Main Street, 16127, (724) 458-1655

**HARRISBURG** - C.A. Juillard, Inc., 2301 North Seventh Street, 17110, (717) 233-3488, (800) 633-3488

**JOHNSTOWN** - Cambria True Value Hardware West Hills Square, Goucher Street, 15905, (814) 255-4752

**KINGSTON** - Vac-Way Appliance & Service, 595 Market Street, 18704, (570) 288-4508

**LANCASTER** - Colonial Electronics Inc., 241 West Roseville Suite #2t, 17601, (717) 560-2222

**McDONALD** - Small Engine World, 130 East O'Hara Street, 15057 (724) 926-3330

**MOSCOW** - Vac-Way Appliance & Service, RR #6 Box 6237, 18444, (570) 842-4668

**ORANGEVILLE** - Hess Do-It Center & Market, Route 487, Box 4 M, 17859, (570) 683-5162

**PHILADELPHIA** - Appliance Czare/Service Corp., 6407 Rising Sun Ave., 19111, (215) 725-3112

**PHILADELPHIA (COLLINGDALE)** - J.F. Kenney Electric, 920 MacDade Blvd, 19023, (610) 534-7373

**PITTSBURGH** - Batteries Plus, 3912 Library Road, 15234, (412) 531-1690

**READING** - Electric Repair Co., 502-504 N. 9th Street, 19604, (610) 376-5444, (800) 422-8171 (PA only)

**SCRANTON** - Vac-Way Appliance and Service, 601 Cedar Avenue, 18505, (570) 343-1121

**SHAMOKIN DAM** - Willard Battery Outlet, 138 S. Old Trail, 17876, (570) 743-5383

**SHIPPENVILLE** - Battery Warehouse, 11105 Rt 322 Riverhill, 16254, (814) 227-2123

**TROY** - Hoover Hardware, 9 Canton, 16947, (800) 251-2156, (570) 297-3445

**WILKES-BARRE** - Walter Hardware DO-IT Center, 57 N. Welles Street, 18702, (570) 823-1406

## PUERTO RICO

**MAYAGUEZ** - Cardona Appliance Service, 8 San Vicente Street, 00680, (787) 832-8366

**MAYAGUEZ** - AAA Melendez Rental, Calle Post 319 Sur, 00680, (787) 832-5225

**PONCE** - Ferrreteria Vivian, Centro Comercial, Los Caobos #7, 00731, (787) 840-0677

**PUERTO NUEVO** - Buckeye Service, 1013 Jesus T. Pinero Avenue, 00920, (787) 782-6175

## SOUTH CAROLINA

**AIKEN** - Dunagan's Sewing & Vacuum, 1536 Whiskey Road, 29803, (803) 649-6777

**BELTON** - American Pro Office Equipment, 309 Forest Lane, 29627, (864) 338-9041

**CHARLESTON HEIGHTS** - Dorchester Electric Service, 3575 Dorchester Avenue, 29405, (803) 747-5221

**COLUMBIA** - Authorized Appliance Servicecenter, 1811 Taylor Street, 29202, (803) 254-8414

**DARLINGTON** - Hobbies and More, 1570 South Main Street, 29532, (803) 393-0355, FAX (803) 393-8171

**EASLEY** - Trails End Bicycles, 110 Pendleton Street, 29640, (864) 306-1684

**FORT MILL** - Service Engines Inc., 3356 SC Highway 51, 29715, (803) 548-1778, (800) 845-1191

**GREENWOOD** - Bikes & Boards & Mopeds, 203A Montague Avenue, 29646, (864) 229-2453

**HILTON HEAD ISLAND** - Bikes Kites & More, 2 E Southwood Park Drive, 29926, (843) 342-7530, (888) 414-1096

**SENECA** - Seneca Micronics, 110 East North First, 29678, (864) 882-6593

## SOUTH DAKOTA

**RAPID CITY** - Mick's Electric, Inc, 1304 Oregon Street, 57701, (605) 348-2335

**WINNER** - Nelson's Electronics Inc., 422 West 2nd Street P.O. Box 369, 57580, (605) 842-1611, (888) 842-1699

## TENNESSEE

**CHATTANOOGA** - Consumer Service Company, 2607 E 47th Street, 37407, (423) 867-8629

**DANDRIDGE** - Save More Sales, 1291 W Hwy 25-70, 37725, (865) 397-1255

**KNOXVILLE** - Appliance & Electric Service Company, 4816-M Kingston Pike, 37919, (865) 588-5395, (800) 585-5395

**KNOXVILLE** - Authorized Appliance Service Center, 1206 North Central Street, 37917, (865) 524-3376

**MEMPHIS** - Camp Electric Co., 647 Madison Avenue, 38103, (901) 527-7543, (800) 238-7345

**NASHVILLE** - Webb's Appliance Service Center, Inc., 1519 Church Street, 37203, (615) 329-4079, (800) 899-4079

**PINEY FLATS** - Appalachian Small Engines, 6192 Hwy 11E, 37686, (423) 391-0185

## TEXAS

**AMARILLO** - Reid's Appliance Service, Inc., 906 Georgia, 79102, (806) 373-8812

**AUSTIN** - Harrell Supply and Service, Inc., 5435 Burnet Road, 78756, (512) 451-6464, (800) 332-7250 (TX only)

**AUSTIN** - Harrell Supply and Service, Inc., 1409 West Oltort, 78704, (512) 442-5966

**CORPUS CHRISTI** - Brand Appliance & Microwave, 2751 South Staples, 78404, (361) 854-1851

**DALLAS** - All Type Sales and Service Co., Inc., 2835 Irving Blvd., 75207, (214) 638-1170, (800) 717-1170

**DALLAS** - Pearsol Appliance Co., 3127 Main Street, 75226, (214) 939-0930

**FT. WORTH** - Ft. Worth Shaver and Appliance Center, 1900 Montgomery Street, 76107, (817) 335-9970, (800) 816-2126

**HOUSTON** - Brand Service Center, 5727 Richmond Avenue, 77057, (713) 782-8910

**HOUSTON** - Brand Service Center, 1970 FM 1960, 77090, (713) 537-7795

**KILLEEN** - Master Tech Repairs, 501 West Elms Road Suite #10, 76542, (254) 618-5480

**LONGVIEW** - Foster's, 3315 Gilmer Road, 75604, (937) 759-3939

**LUBBOCK** - Minter's, 4409 50th Street, 79414, (806) 799-3170

**LUFKIN** - STS Audio and Video, 1505 South First Street, 75901, (936) 639-4529

**MC ALLEN** - All-In-One Repair Shop, 2313 Lark Avenue, 78504, (210) 682-8858

**MIDLAND** - Midland Tool Specialty, 918 South Main, 79701, (915) 682-4647, (800) 499-0755

**PASADENA** - Larry's TV Service, 3520 Fairmont Parkway, 77504, (713) 998-0122,

**ROMA** - True Value Hardware, 1004 E. Highway 83, (210) 849-1322

**SAN ANTONIO** - Texas Shaver & Appliances, 8121 Callaghan Road, 78230, (210) 344-8577

**TEMPLE** - Master Tech Repairs, 2819 West Avenue North, 76504, (817) 773-8991

**WICHITA FALLS** - Burke's Appliance Service, 2410 10th Street, 76309, (817) 723-6211

## UTAH

**OREM** - The Mending Shed, 1735 South State Street, 84058, (801) 225-8072, (800) 339-9297

**SALT LAKE CITY** - Appliance Service Center, Inc., 210 East 6th South, 84111, (801) 328-9703

**WILLARD** - Peak Electric Co Inc, 780 N 200 W, 84340, (435) 723-7104

## VIRGINIA

**ALEXANDRIA** - D & S Repair Service, 20 South Dove Street., 22314 (703) 683-0009

**BLACKSTONE** - Bevell's True Value Hardware, 109 North High Street, 23824, (804) 292-7208, (800) 883-1270

**FREDERICKSBURG** - Fredericksburg Electrical Repair, Inc., 10825-D Houser Drive, 22408, (540) 891-7911

**HARRISONBURG (PENN LAIRD)** - J.L. Maintenance & Repair, Inc., Rt 2, Box 308, 22846, (540) 289-9844

**LOUISA** - Lakeside Electric Const., 4344 Davis Highway Suite 2, 23093, (540) 967-3000

**RICHMOND** - Wells Inc., 3502 Jefferson Davis Highway, 23234, (804) 233-6726

**ROANOKE** - Commonwealth Shaver & Appliance Service, 5524 Williamson Road, NW, 24012, (540) 366-6038

**SOUTH BOSTON** - South Boston True Value, 307 Broad Street, 24592, (804) 572-6666

**VIRGINIA BEACH** - Commonwealth Electric Shaver, 549 Newton Road #108, 23462, (757) 490-0500

**WINCHESTER** - Battery Mart of Winchester, Inc., 1 Battery Dr., 22601, (703) 655-0065

## WASHINGTON

**ARLINGTON** - Cordz Limited, 105 North Olympic Avenue, 98223, (360) 435-2471

**FEDERAL WAY** - Martha Lake Electronics, 2118 South 314th Street, 98003, (253) 946-9033

**KENNEWICK** - At Home Electronic Service, 313 East First Avenue, 99336, (509) 586-3800

**LYNNWOOD** - Martha Lake Electronics, 16521 13th Avenue West, 98037, (425) 743-4178

**RENTON** - Martha Lake Electronics, 212 South West 43rd, 98055, (425) 251-5417

**SEATTLE** - Action Small Appliance, 2125 2nd Avenue, 98121, (206) 448-2020

**SEATTLE (BELLEVUE)** - Action Small Appliance Service, 1500 145th Place, SE, 98007, (206) 643-9806

**SPOKANE** - Aalwag Appliance, N 3007 Argonne Road, 99212, (509) 487-1089

**TACOMA** - Martha Lake Electronics, 2913 South 38th Street, 98409, (253) 475-0668

**WENATCHEE** - Motor Mart, 150 Marr, 98801, (509) 633-4237

## WEST VIRGINIA

**BECKLEY** - Jerry's Detectors, Vacuum & Appl. Svc., 411 Second Street, 25801, (304) 253-3521

**CHARLESTON** - Sneed's Vacuum & Sewing Center, 2614 7th Avenue, 25312, (304) 744-3670, (800) 245-8048 (WV only)

**HARRISVILLE** - Western Auto, 1107 E. Main St., 26362, (304) 643-2226

**HUNTINGTON** - Mike's Appliance and Service, 212 20th Street, 25703, (304) 522-0737

**MARTINSBURG** - Battery Mart, 1161-3 Winchester Avenue, 25401, (304) 267-7033, (800) 464-7918

**PARKERSBURG** - Battery Mart, 656 Seventh Street, 26101, (304) 424-7250

**VIENNA** - T & S Lawn - Landscape & Power Equipment, 1100 10th Street, 26105, (304) 295-7633 (800) 559-7633

**WHEELING** - Fast Service Center, 1058 Main Street, 26003, (304) 232-5561 (800) 874-4090

## WISCONSIN

**ELK MOUND** - Epp Electronics, E9485-A County Road EE, 54739, (715) 879-4634

**GREENBAY** - Kastle Carts, Inc., 2301 N. Irwin Ave., 54313, (414) 465-6121

**LACROSSE** - Paul's Shaver Service, 1224 Caledonia Street, 54603, (608) 782-6291

**MILWAUKEE** - Brand Appliance Repair, Inc., 6601 W Oklahoma Avenue, 53219, (414) 541-4340

**MONONA** - Kiefers Shaver & Appliance, 4511 Monona Drive, 53716, (608) 221-3322

# IMPORTANT!

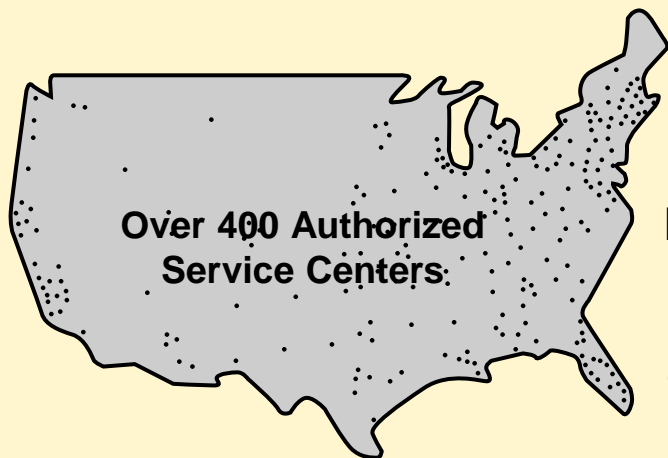
**DO NOT use this vehicle for the first time until you have charged the battery for 18 hours.**

Remember to...

- ✓ Insert a 25 amp fuse (included) into the battery.
- ✓ Charge the battery immediately after each use.
- ✓ Charge the battery once a month during storage, even if the vehicle has not been used.

Failure to follow these instructions will permanently damage your battery and void your warranty. Please refer to the Battery Care Section in this manual for more information.

## DO NOT Return your Vehicle to the Store !



If you are missing parts or need assistance, please call us toll-free:

**Power Wheels® Consumer Relations**

**1-800-348-0751**

**8 AM - 6 PM EST, Monday through Friday.**

Or contact your local Power Wheels® Authorized Service Center.



For the location nearest you, refer to the Authorized Service Center list in this manual.

Fisher-Price and Power Wheels by Fisher-Price are U.S. trademarks of Mattel, Inc. Fisher-Price, Inc., a subsidiary of Mattel, Inc., East Aurora, New York 14052 U.S.A. ©2001 Mattel, Inc. All Rights Reserved.