

Fisher-Price®

Loving Family™ Doll House

Model Number: 74649, 74002

Instructions



Please save these instructions for future reference.

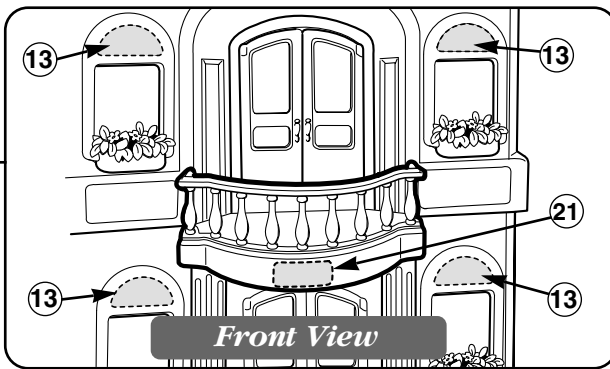
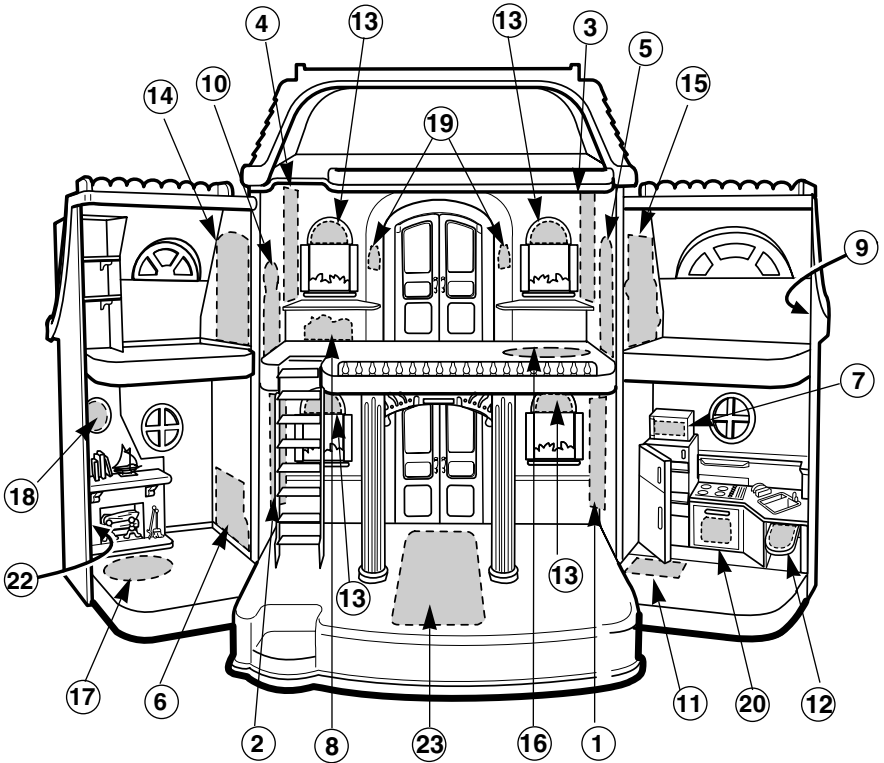
Adult assembly is required.

No tools needed for assembly.

www.fisher-price.com

Let's Decorate!

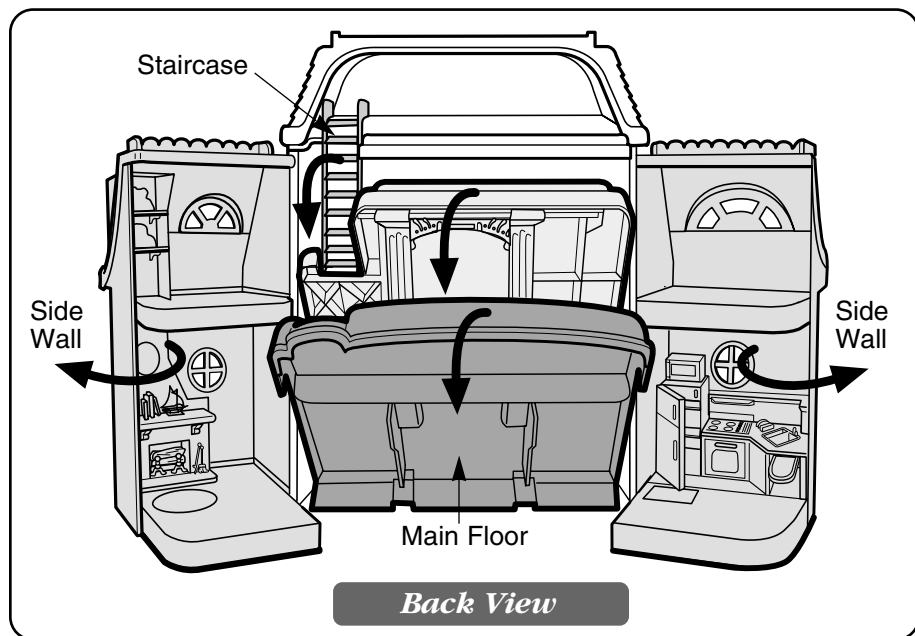
Back View



Front View

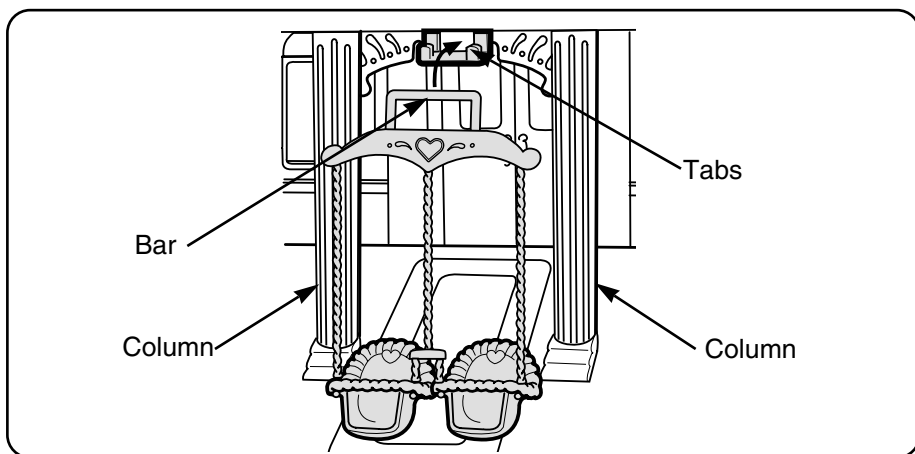
- Make sure the areas where the labels will be applied are clean and dry.
- Apply the labels as indicated in the illustration.
- For best adhesion, avoid repositioning a label once it has been applied.

Open House!



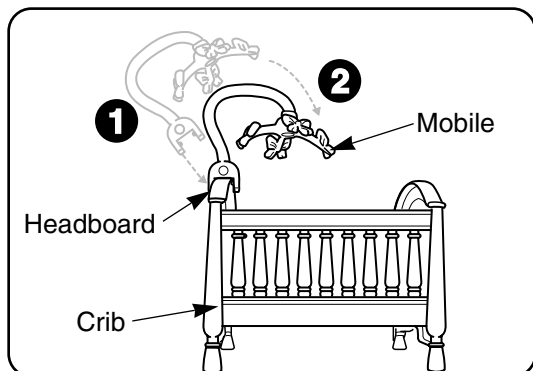
- Rotate the side walls out to open.
- Pull down the main floor.
- Lower the staircase.

Swing Attachment



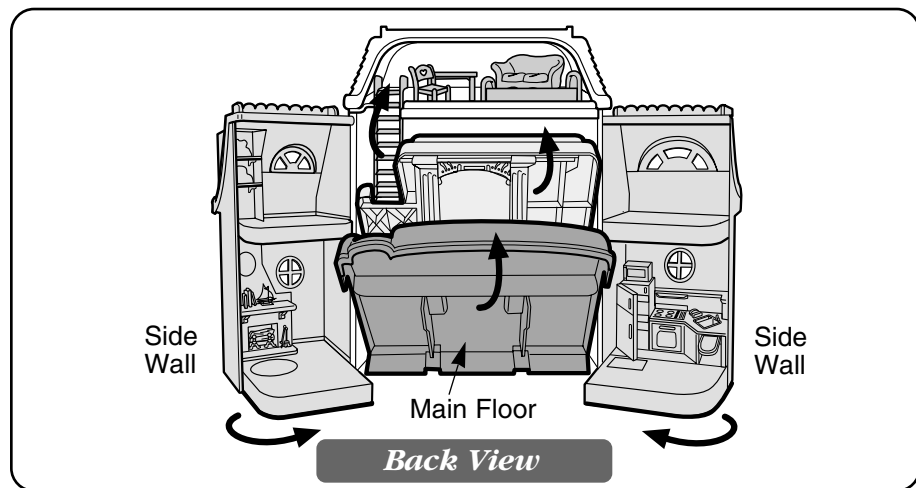
- Locate the columns inside the house.
- Rest the bar on the swing behind the tabs between the columns.

Mobile Attachment



- Position a mobile against the edge of a crib's headboard as shown **1**.
- Rotate the mobile up to the raised position to snap it on the headboard **2**.

Playtime's Over



- Place the family and their accessories inside the house or on the third floor.
- Lift the staircase.
- Lift the main floor.
- Rotate the side walls in to close.



Questions? We'd like to hear from you!

Call Fisher-Price® Consumer Affairs, toll-free at **1-800-432-KIDS**, 8 AM - 5 PM EST Monday through Friday. Hearing-impaired consumers using TTY/TDD equipment, please call 1-800-382-7470. Or, write to: Fisher-Price® Consumer Affairs, 636 Girard Avenue, East Aurora, New York 14052.

CANADA, Mattel Canada Inc., 6155 Freemont Blvd., Mississauga, Ontario L5R 3W2.
Questions? 1-800-567-7724. **GREAT BRITAIN**, Mattel U.K., Ltd., Helpline: 01628 500303.
AUSTRALIA, Mattel Australia Pty. Ltd., 658 Church Street, Locked Bag #870, Richmond, Victoria 3121 Australia.
Consumer Advisory Service 1-800-800-812 (valid only in Australia).

Fisher-Price, Inc., a subsidiary of Mattel, Inc., East Aurora, NY 14052, U.S.A.

©2000 Mattel, Inc. All Rights Reserved. ® and ™ designate U.S. trademarks of Mattel, Inc.