

Fisher-Price®

Loving Family™ Doll House

Model Number 74649

Instructions



Please save these instructions for future reference.

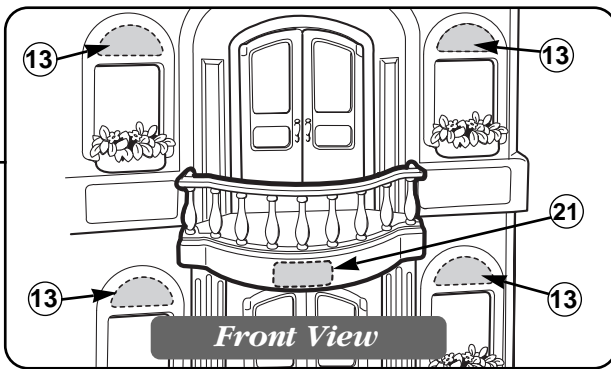
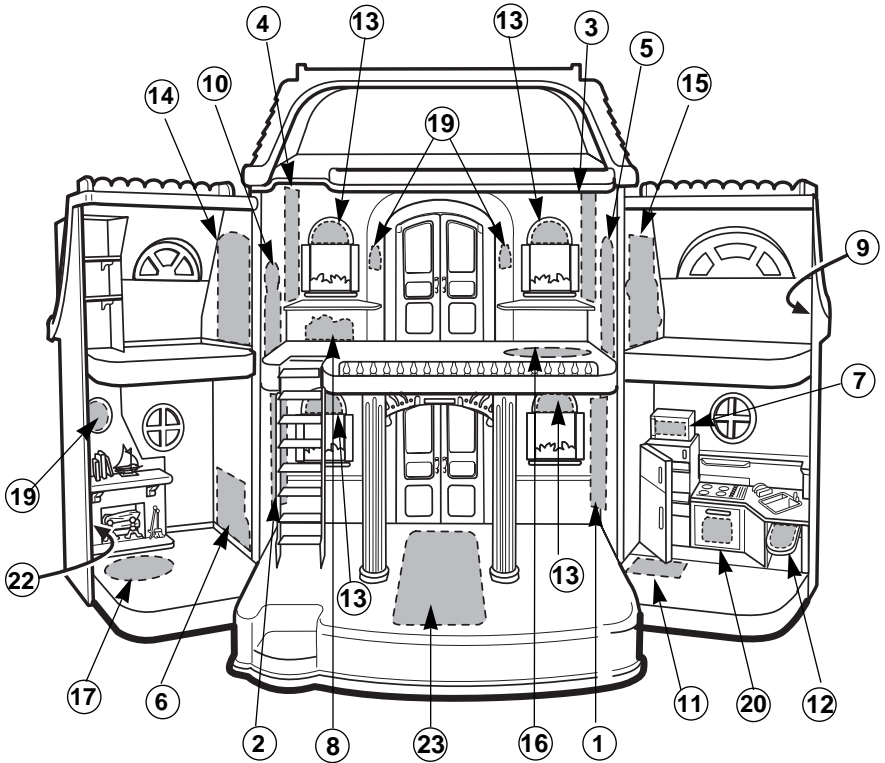
Adult assembly is required.

No tools needed for assembly.

African-American family also available. Call 1-800-432-KIDS for details.

Let's Decorate the House

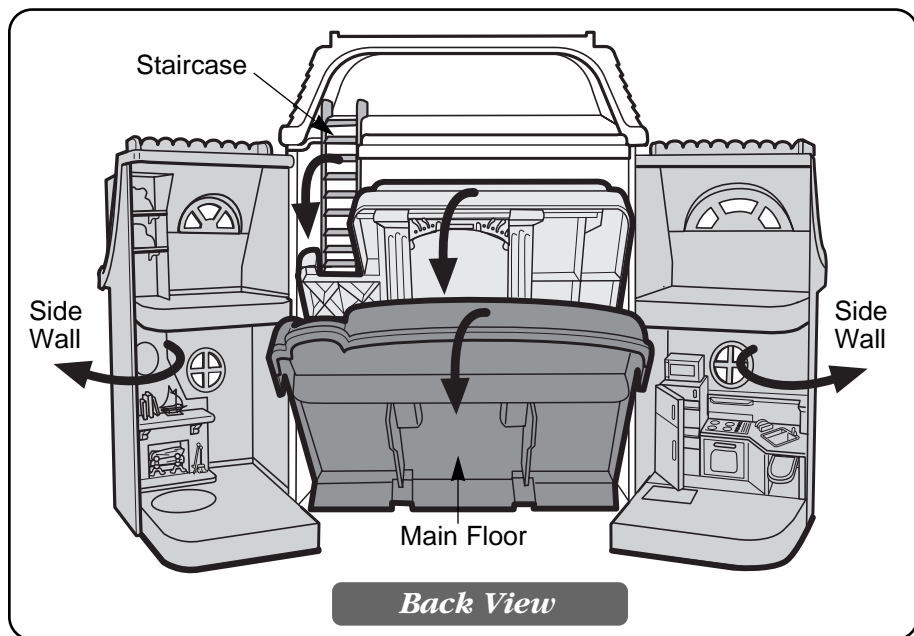
Back View



Front View

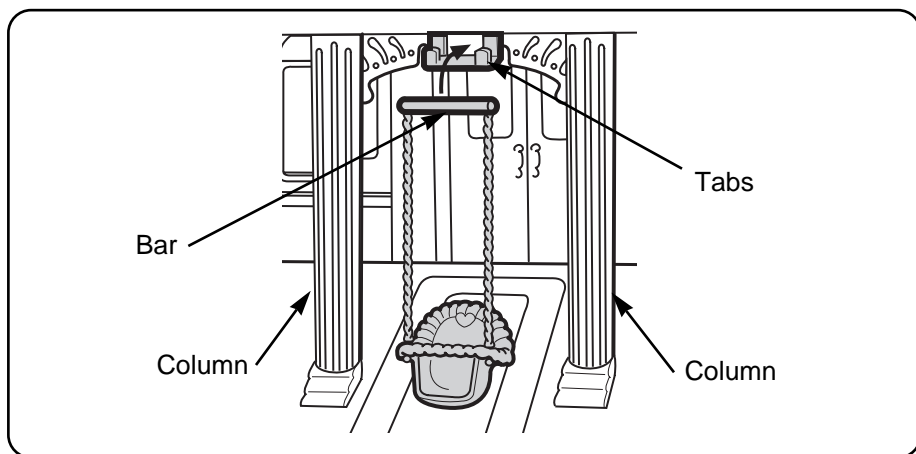
- Make sure the areas where the labels will be applied are clean and dry.
- Apply the label decorations as indicated in the illustration.
- For best adhesion, avoid applying the labels more than once.

Let's Open the House



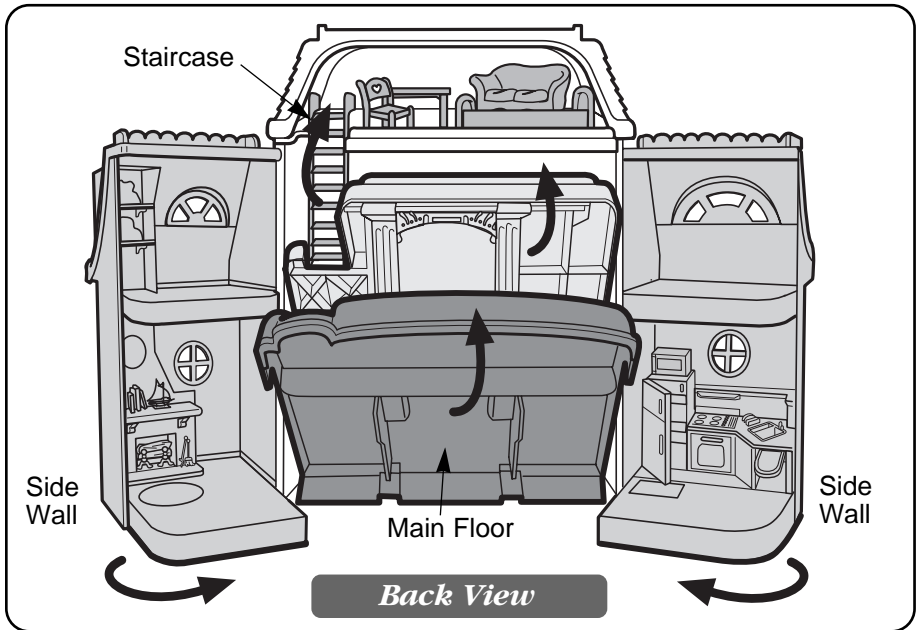
- Rotate the side walls out to open.
- Pull down the main floor.
- Lower the staircase.

Swing Attachment



- Locate the columns inside the house.
- Rest the bar on the swing behind the tabs between the columns.

Playtime's Over



- Place the family and their accessories inside the house or on the third floor.
- Lift the staircase.
- Lift the main floor.
- Rotate the side walls in to close.



Questions? We'd like to hear from you!

Call Fisher-Price® Consumer Affairs, toll-free at **1-800-432-KIDS**, 8 AM - 5 PM EST Monday through Friday. Hearing-impaired consumers using TTY/TDD equipment, please call 1-800-382-7470. Or, write to:

Fisher-Price® Consumer Affairs, 636 Girard Avenue,
East Aurora, New York 14052.

CANADA, Mattel Canada Inc., 6155 Freemont Blvd., Mississauga, Ontario L5R 3W2.
Questions? 1-800-567-7724. **GREAT BRITAIN**, Mattel U.K., Ltd., Helpline: 01628 500303.
AUSTRALIA, Mattel Australia Pty. Ltd., 658 Church Street, Locked Bag #870, Richmond, Victoria 3121 Australia.
Consumer Advisory Service 1-800-800-812 (valid only in Australia).

Fisher-Price, Inc., a subsidiary of Mattel, Inc., East Aurora, NY 14052, U.S.A.

©1999 Mattel, Inc. All Rights Reserved. © and ™ designate U.S. trademarks of Mattel, Inc.

Printed in Mexico

74649-0920