



Product features may vary from the picture above.



Owner's Manual with Assembly Instructions

Please read this manual and save it with your original sales receipt.

For Model 74790

Tools needed for assembly: Phillips Screwdriver, Hammer, Pliers, and Safety Scissors (not included).
Use only with a Power Wheels® 12 Volt Battery and a Power Wheels® Type "12V" Charger (both included).

Table of Contents

A	Important Information	.2
B	Warnings	.3
C	Parts	.4
D	Parts Diagram	.7
E	Battery Charging	.8
F	Assembly	.10
G	Label Decoration	.23
H	Battery Care and Disposal	.24
I	Rules for Safe Driving	.25
J	How to Operate Your Vehicle	.26
K	Caring for Your Vehicle	.27
L	Problems and Solutions Guide	.28
M	Statement of Limited Warranty	.32
N	Authorized Service Centers	.32

A

Important Information

- Your new vehicle requires adult assembly. Please set aside at least 90 minutes for assembly.
- You must charge your battery for 18 - 30 hours **before you use your vehicle for the first time**. We recommend that you start charging your battery before beginning assembly. Please see Battery Charging beginning on page 8 for detailed instructions.
- Read this manual carefully for important safety information and operating instructions before using your vehicle.
- This vehicle is designed for use on grass, asphalt and other hard surfaces, on flat terrain and hills, by children 3 years and older.
- To prevent damaging the motors and gears, do not tow anything behind the vehicle or overload it. Do not exceed the maximum weight capacity of 65 lbs (30 kg).
- If you have any questions about your Power Wheels® vehicle, please call our toll-free service lines at **1-800-348-0751** from 8 AM to 5 PM (EST) Monday through Friday. Trained customer service representatives are available to take your call in English or French. Habla Español? Si usted tiene alguna pregunta ó necesita asistencia llame gratis **1-800-348-0755** para los Estados Unidos. Tenemos representantes que hablan español para atender su llamada.
- For your convenience, Power Wheels® maintains an Authorized Service Center Network with more than 400 authorized service centers nationwide. Our authorized service centers will repair or replace parts under warranty at no extra charge, and can perform non-warranty repairs for a minimal charge. Please see the Authorized Service Center list beginning on page 32 to find the authorized service center nearest you, or call **1-800-348-0751**.
- Please complete and return the enclosed Registration Card today, or call **1-800-348-0751** to register your vehicle by phone.



CAUTION

- This product contains small parts. Adult assembly is required.
- Use the charger indoors only.

B

Warnings

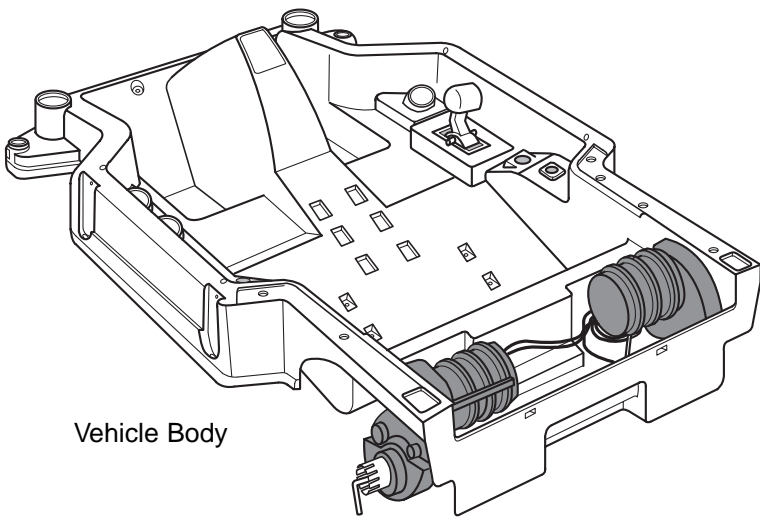
WARNING

- Children can be harmed by small parts, sharp edges and sharp points in the vehicle's unassembled state, or by electrical items. Care should be taken in unpacking and assembly of the vehicle. Children should not handle parts, including the battery, or help in assembly of the vehicle.
- Keep small parts and plastic bags out of children's reach. Dispose of plastic bags properly.
- Adult supervision is required. Children do not have the judgement necessary to avoid many accidents. Be sure that children operating this vehicle can do so safely and that they are supervised at all times.
- Never use near steps, driveways, steep inclines, roadways, alleys, swimming pool areas or other bodies of water.
- Always wear shoes or sneakers when operating this vehicle.
- Never allow more than one rider.
- The rider should sit on the seat when the vehicle is in operation.
- **Hot** motor covers. Handle carefully.
- Never alter this vehicle or its electrical system in any way. Alterations could cause a fire resulting in injury and could also ruin the electrical system.
- Use of the wrong type battery or charger could cause a fire or explosion, resulting in serious injury.
- Use of Power Wheels® components in products other than Power Wheels® vehicles could cause overheating, fire or explosion.
- The battery must be handled by adults only. The battery is heavy and contains sulfuric acid (electrolyte). Dropping the battery could result in serious injury.
- Read the cautions on the back panel of the battery.
- Never allow children to charge the battery. Battery charging must be done by adults only. A child could be injured by the electricity involved in charging the battery.
- Examine the battery, charger and their connectors for excessive wear or damage each time you charge the battery. If damage or excessive wear is detected, do not use the charger or the vehicle until you have replaced the worn or damaged part.

C

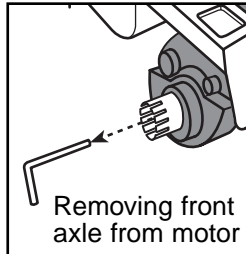
Parts

- If you experience a problem with this product, or are missing a part, please call us at **1-800-348-0751**, rather than return this product to the store.
- Please identify all parts before assembly and save all packaging material until assembly is complete to ensure that no parts are discarded.
- Metal parts have been coated with a lubricant to protect them during shipment. Wipe all metal parts with a paper towel to remove any excess lubricant.




Vehicle Body


***IMPORTANT NOTE:** The front axles have been placed in the vehicle body motors for shipment. Please remove the front axles from the motors.




Removing front axle from motor



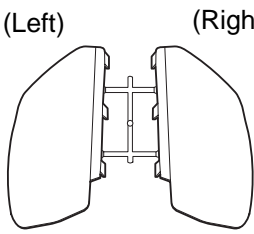
Front Axle - 2*



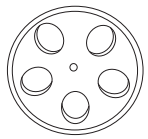
Rear (Large) Wheel - 2



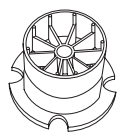
Front (Small) Wheel - 2




(Left) (Right)
Fender Set




Hubcap - 4



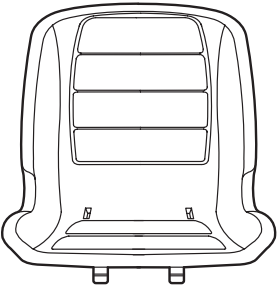
Driver - 2



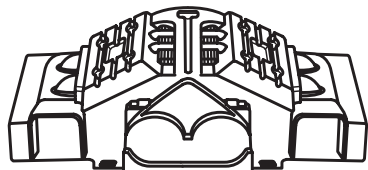
Rear Axle




Steering Linkage Bar



Seat

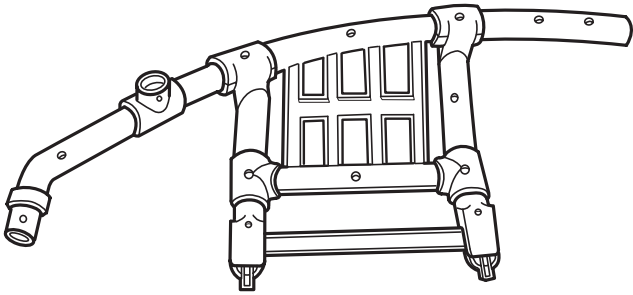


Decorative Engine

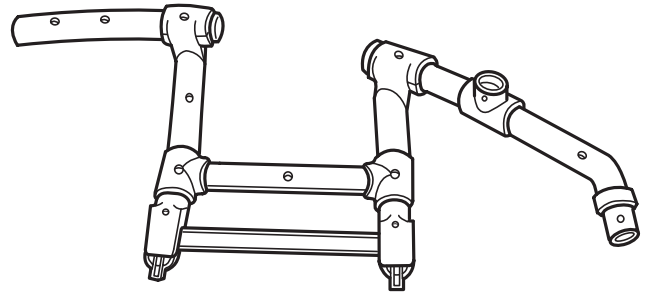


Steering Linkage

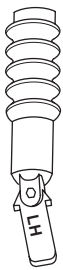
Parts



Roll Cage - Right Side



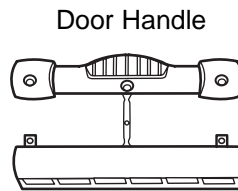
Roll Cage - Left Side



Shock Set - 2
(Left and Right)



KC™ Light Cover - 2



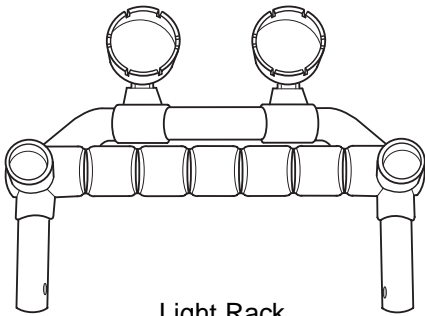
Door Handle



Door Hinge



Door



Light Rack



Roll Cage Crossbar



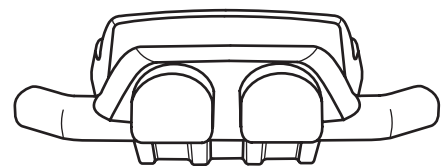
Battery Retainer



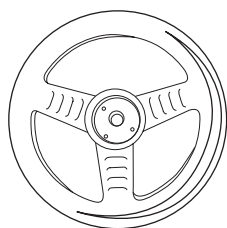
Steering Wheel Cap



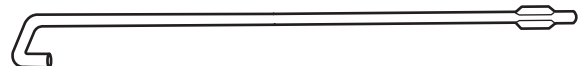
Steering Wheel Collar



Brush Guard

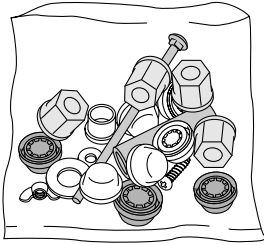


Steering Wheel

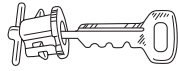


Steering Column

Parts



Small Parts Bag



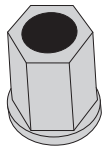
Key Assembly



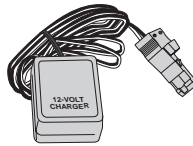
1/2" - 20 Lock Nut - 2



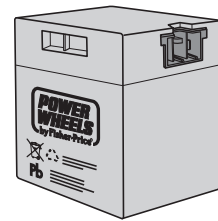
Radio Knob - 3



Hex Bushing - 6



12 Volt Charger



12 Volt Battery

Not Shown: Label Sheet, Literature Bag



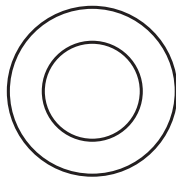
#8 x 1/2" Screw - 2



#8 x 3/4" Screw - 27*



#8 x 1 1/2" Screw - 4



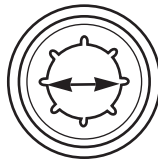
7/16" Washer - 4



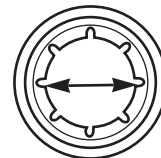
1/4" - 20 x 2 3/4" Bolt - 2



.354 Cap Nut (Small Inside Diameter) - 2*



.437 Cap Nut (Large Inside Diameter) - 8*

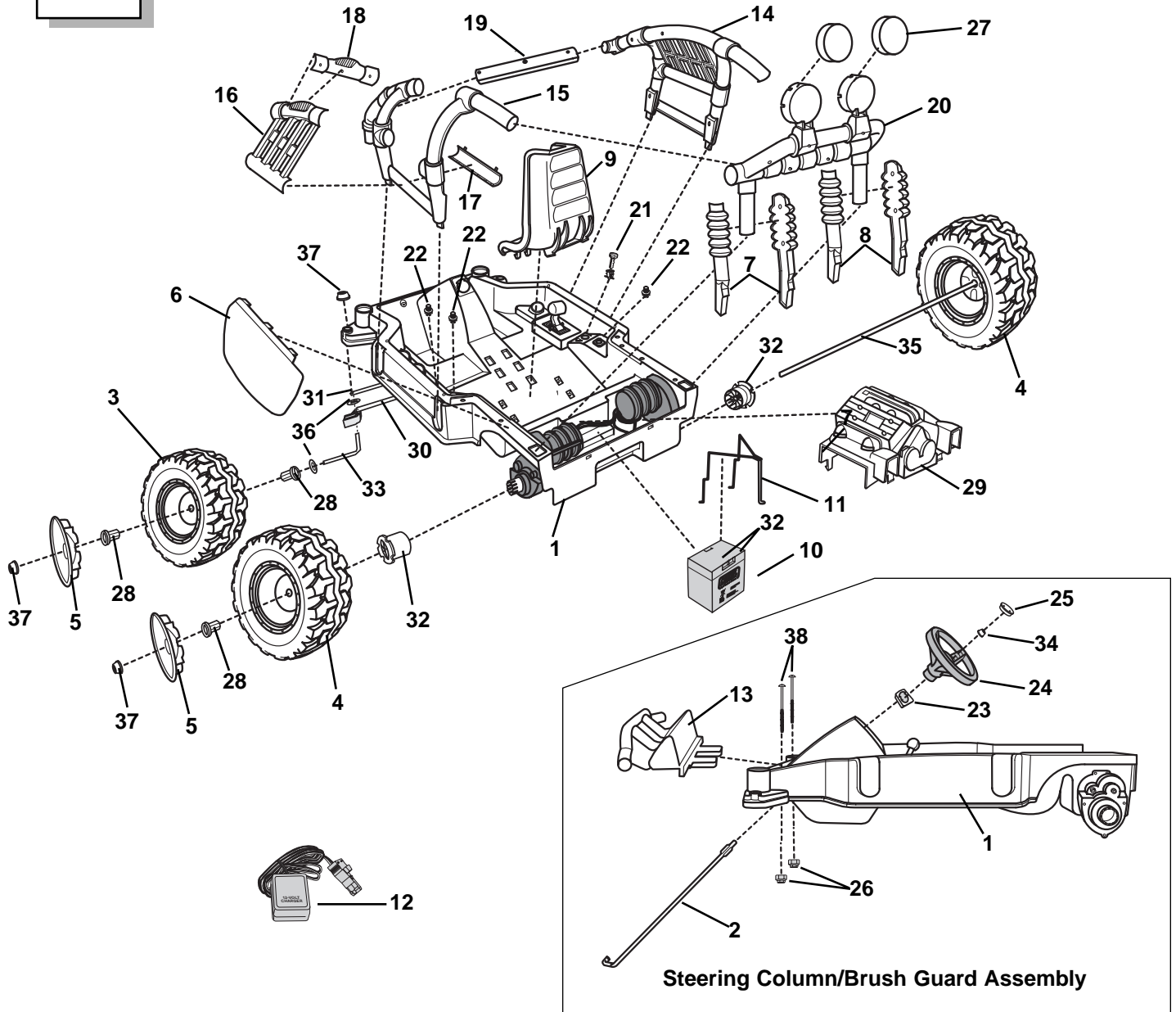


All Shown Actual Size

*For your convenience, three extra cap nuts (one small diameter and two large diameter) and three extra #8 x 3/4" screws have been included.

D

Parts Diagram



- | | | |
|----------------------------|---------------------------------------|--|
| 1. Vehicle Body | 17. Door Hinge | 31. Steering Linkage Bar |
| 2. Steering Column | 18. Door Handle | 32. Driver - 2 |
| 3. Front Wheel - 2 | 19. Roll Cage Crossbar | 33. Front Axle - 2 |
| 4. Rear Wheel - 2 | 20. Light Rack | 34. .354 (Small Diameter) Cap Nut |
| 5. Hubcap - 4 | 21. Key Assembly | 35. Rear Axle |
| 6. Left Fender | 22. Radio Knob - 3 | 36. $\frac{7}{16}$ " Washer - 4 |
| 7. Left Shock Set | 23. Steering Wheel Collar | 37. .437 (Large Diameter) Cap Nut - 6 |
| 8. Right Shock Set | 24. Steering Wheel | 38. $\frac{1}{4}$ " - 20 x $2\frac{3}{4}$ " Bolt - 2 |
| 9. Seat | 25. Steering Wheel Cap | |
| 10. 12 Volt Battery | 26. $\frac{1}{2}$ " - 20 Lock Nut - 2 | Not Shown |
| 11. Battery Retainer | 27. Light Cover - 2 | Right Fender |
| 12. 12 Volt Charger | 28. Hex Bushing - 6 | #8 x $1\frac{1}{2}$ " Screw - 4 |
| 13. Brush Guard | 29. Decorative Engine | #8 x $\frac{1}{2}$ " Screw - 2 |
| 14. Roll Cage - Right Side | 30. Steering Linkage | #8 x $\frac{3}{4}$ " Screw - 27 |
| 15. Roll Cage - Left Side | | Label Sheet |
| 16. Door | | |

- The battery must be handled by adults only. The battery is heavy and contains sulfuric acid (electrolyte). Dropping the battery could result in serious injury.
- Never allow children to charge the battery. Battery charging must be done by adults only. A child could be injured by the electricity involved in charging the battery.
- Use of the wrong type battery or charger could cause a fire or explosion, resulting in serious injury.
- Use of Power Wheels® components in products other than Power Wheels® vehicles could cause overheating, fire or explosion.
- Read the cautions on the back panel of the battery.
- Examine the battery, charger and their connectors for excessive wear or damage each time you charge the battery. If damage or excessive wear is detected, do not use the charger or the vehicle until you have replaced the worn or damaged part.
- Never alter this vehicle or its electrical system in any way. Alterations could cause a fire resulting in injury and could also ruin the electrical system.

About Thermal Fuses

Your Power Wheels® 12 volt battery is equipped with a built-in thermal fuse. The thermal fuse is a self-resetting safety device which automatically “trips” and shuts down operation of the vehicle if the vehicle is overloaded or the driving conditions too severe. Once a fuse has “tripped”, it will automatically reset itself after approximately 25 seconds and allow the vehicle to resume normal operations. To avoid repeated automatic shutdowns, do not overload the vehicle by exceeding the 65 lb. maximum weight capacity or by towing anything behind the vehicle. Avoid severe driving conditions, such as driving up very steep slopes or running into fixed objects, which can cause the wheels to stop spinning while power is still being supplied to the motors. Make sure your child stops the vehicle before switching speeds or direction.

If a thermal fuse in a battery continually trips under normal driving conditions, please contact your local Power Wheels® Authorized Service Center. For the location of the Authorized Service Center nearest to you, see page 32.



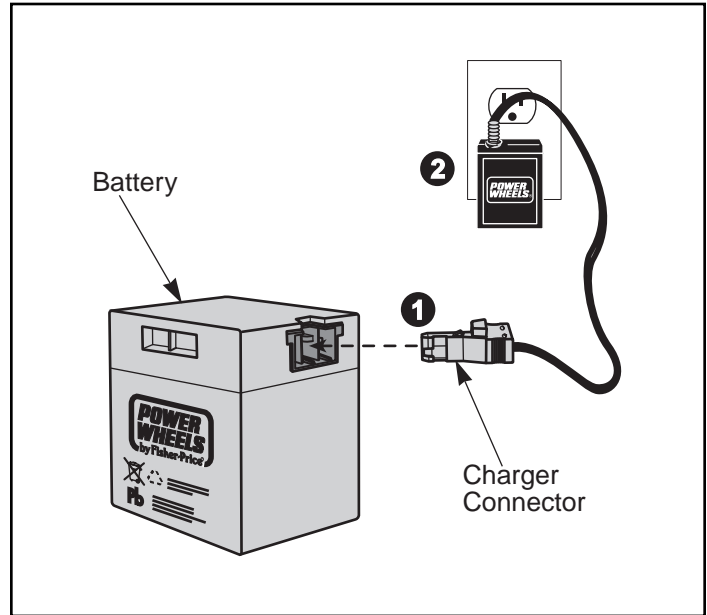
CAUTION

Use the charger in dry locations only.

Battery Charging

Important Notes

- Your new battery must be charged for at least 18 hours before you use it in your vehicle for the first time.
- You do not need to remove the battery from your vehicle to recharge it.
- The battery must be upright while charging.
- The charger is not a toy.
- Do not short circuit the battery.
- We recommend that you start charging your battery before beginning assembly of your new vehicle.
- Before charging the battery, examine the battery case for cracks and other damage which may cause sulfuric acid (electrolyte) to leak during the charging process. If damage is detected, do not charge the battery or use it in your vehicle. Battery acid is very corrosive and can cause severe damage to surfaces it contacts.
- Do not charge the battery on a surface which could be damaged by the acid contained inside the battery. Take precautions to protect the surface on which you charge your battery.
- Use only a Power Wheels® 12 volt charger with type "12V" connector (120 VAC 60 Hz 28W with an output of 12 VDC 1200mA) to charge your Power Wheels® rechargeable 12 volt battery.



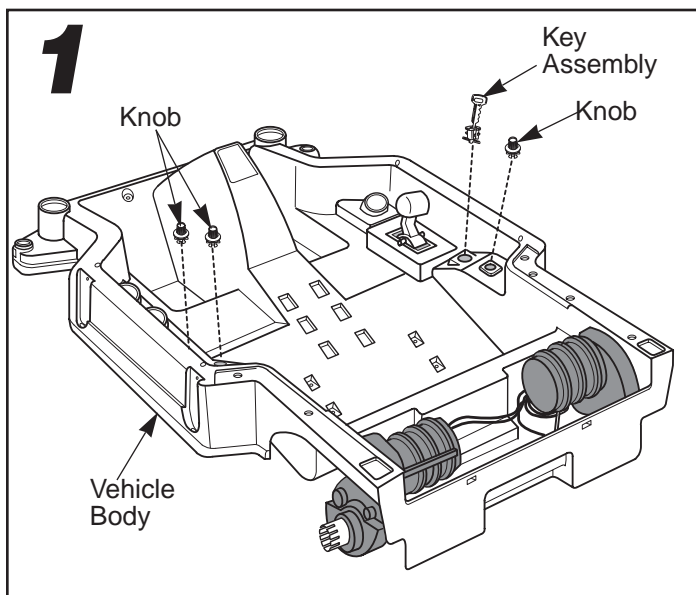
- Plug the charger connector into the battery **1**.
- Plug the charger into a standard 120 volt wall outlet **2**.

- Note:** If power flow to the wall outlet is controlled by a switch, make sure the switch is "ON".
- Before first-time use, charge the battery for **at least 18 hours**. Never charge the battery longer than 30 hours.
 - Recharge the battery for at least 14 hours after each use of your vehicle. Do not charge the battery longer than 30 hours.
 - Once the battery is charged, pull firmly on the charger connector to disconnect it from the battery. Unplug the charger from the wall outlet. The battery is now ready to be installed in your vehicle. Please see assembly steps 30 - 33 for detailed instructions on installing your battery. If your battery is already installed in your vehicle, simply re-connect the motor harness connector to the battery and re-assemble the decorative engine.

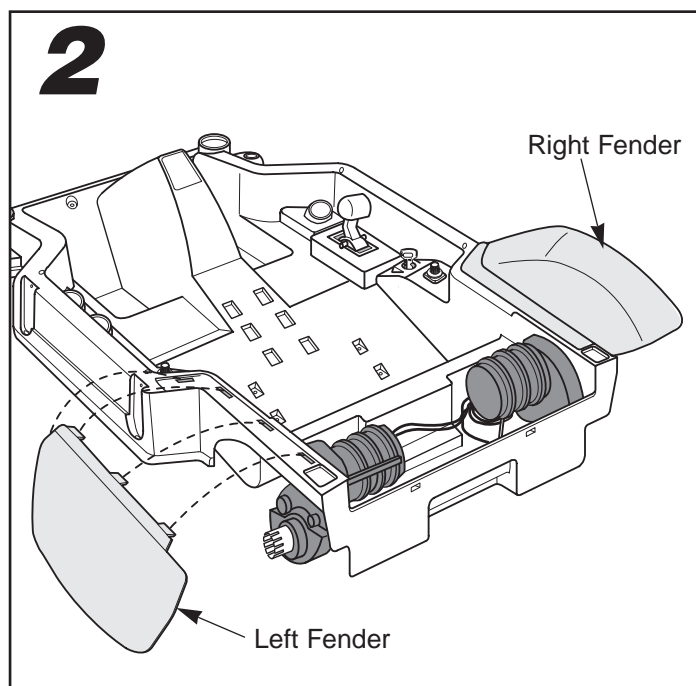
F

Assembly

Do not omit any steps. Please set aside at least 90 minutes for assembly.



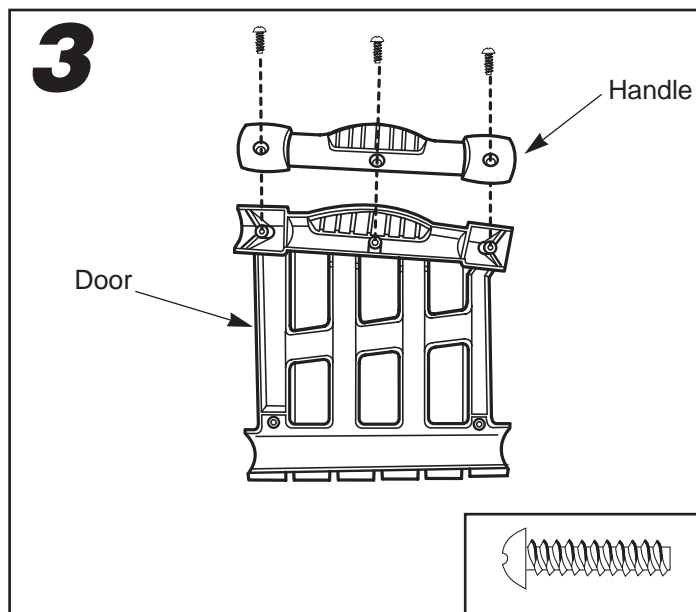
- Position the vehicle body on a flat surface.
- Snap the key assembly and knobs into the vehicle body.



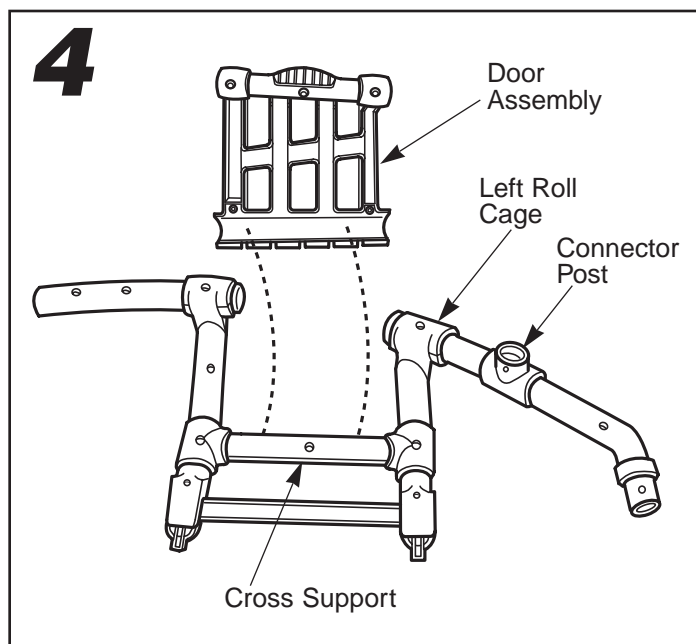
- Using safety scissors, separate the right and left fenders from the plastic connector. Dispose of the plastic connector.
- Fit the tabs on the rear fenders into the fender slots in the right and left sides of the vehicle body.

Please Note: The right and left fenders are NOT interchangeable.

- Set the vehicle body aside.



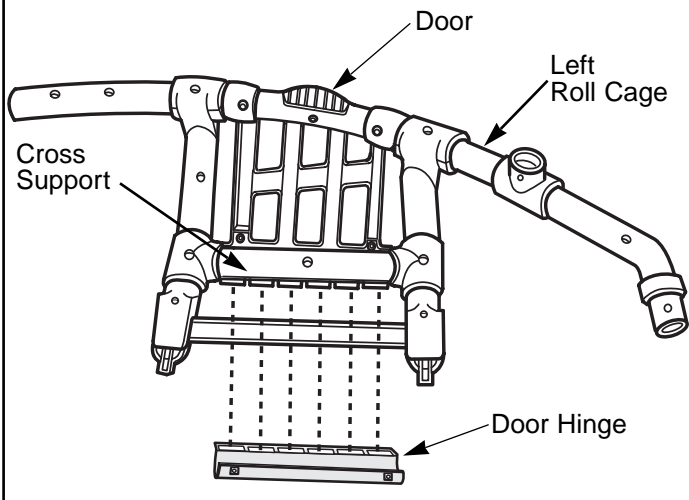
- Using safety scissors, separate the door and handle from the plastic connector. Dispose of the plastic connector.
- Fit the roll cage door handle onto the roll cage door.
- Insert three #8 x 3/4" screws through the handle and into the door.
- Tighten the screws with a Phillips screwdriver. Do not over-tighten.



- Position the left roll cage with the connector post facing up.
- Fit the bottom of the roll cage door against the cross support on the left side of the roll cage.

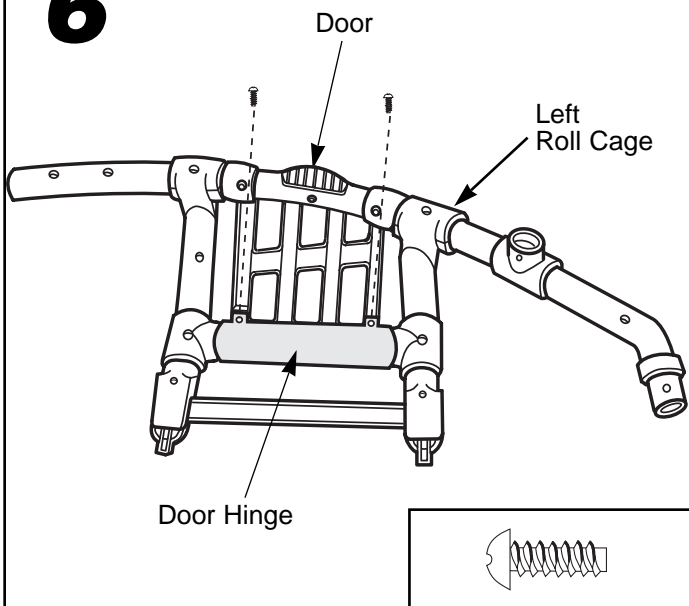
Assembly

5



- Fit the slots on the door hinge onto the tabs on the bottom of the door.
- Rotate the hinge up to enclose the cross support.

6

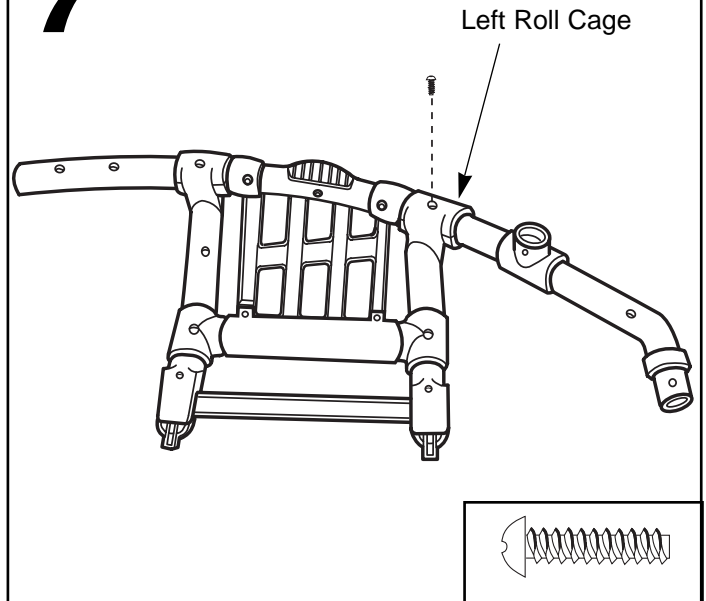


- Insert two **#8 x 1/2"** screws through the holes in the door hinge.

Please Note: The **#8 x 3/4"** screws do not fit properly in the door hinge. Make sure to use **#8 x 1/2"** screws to complete this assembly step.

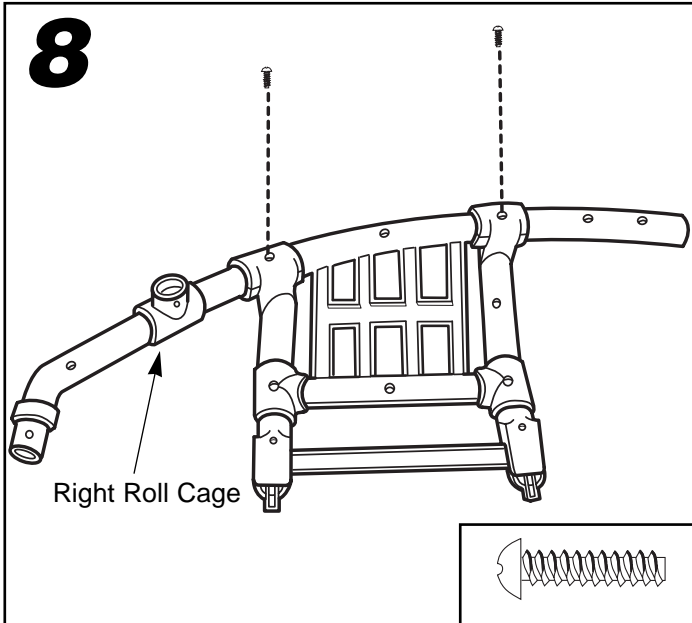
- Tighten the screws with a Phillips screwdriver. Do not over-tighten.

7

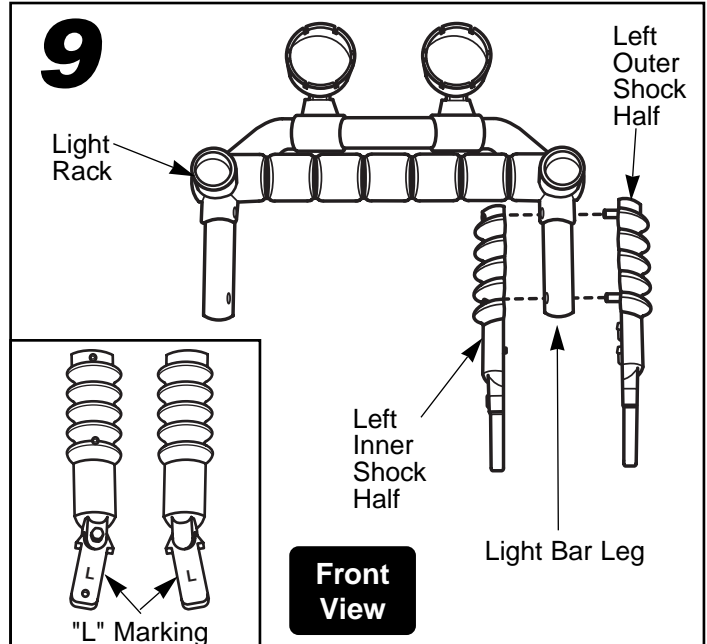


- Place the left side of the roll cage on a flat surface with the inside facing up.
 - Insert one **#8 x 3/4"** screw into the left roll cage.
- Please Note:** Eight roll cage screws have been factory assembled.
- Tighten the screw with a Phillips screwdriver. Do not over-tighten.
 - Set the left side of the roll cage aside.

Assembly

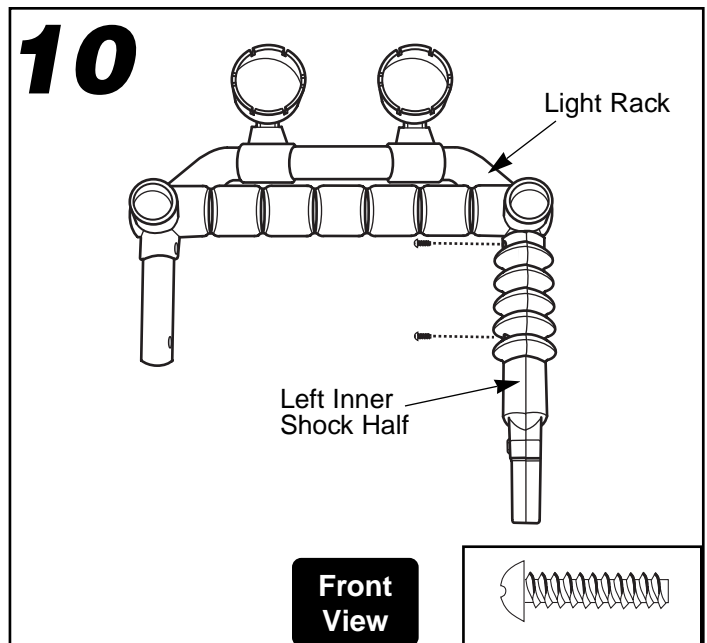


- Place the right side of the roll cage on a flat surface with the inside facing up.
 - Insert two #8 x 3/4" screws into the right roll cage.
- Please Note:** Eight roll cage screws have been factory assembled.
- Tighten the screws with a Phillips screwdriver. Do not over-tighten.
 - Set the right side of the roll cage aside.



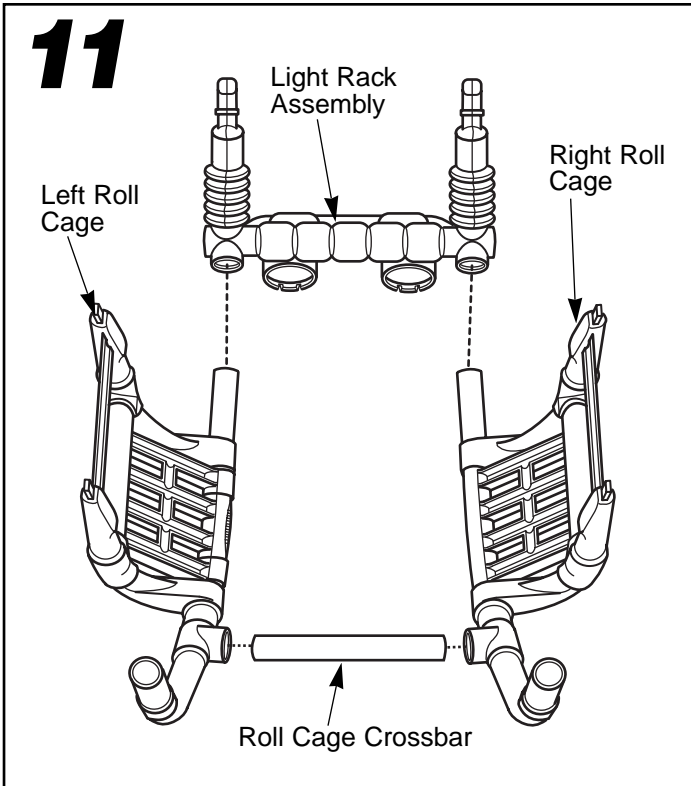
Please Note: The shock set halves and the light bar legs are marked "L" and "R".

- Identify the inner and outer halves of each shock set. (The outer halves have screw pegs).
- Fit the pegs on an outer shock half into the holes in a light bar leg.
- Fit the inner shock set half against the light bar leg.



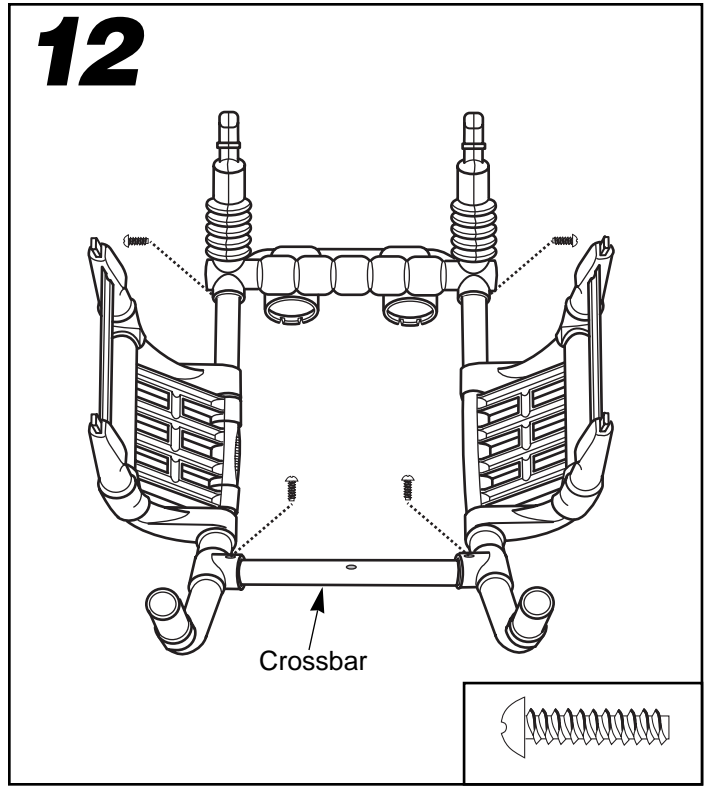
- Insert two #8 x 3/4" screws into the inner half of the shock set.
- Tighten the screws with a Phillips screwdriver. Do not over-tighten.
- Repeat this procedure to assemble the other shock set to the light rack and set the light rack assembly aside.

Assembly



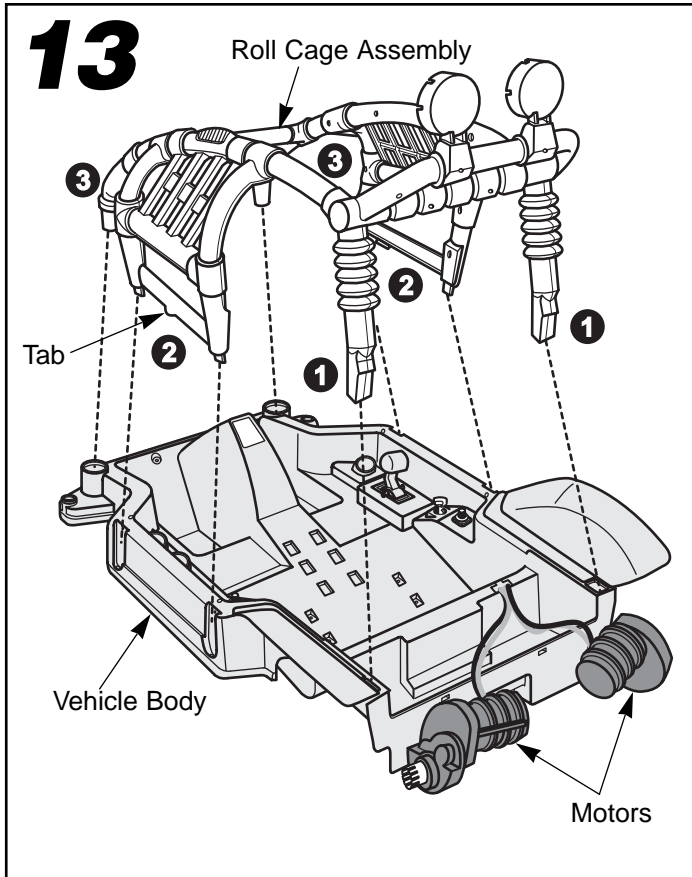
Please Note: It is easiest to assemble the roll cage by positioning the parts upside down as shown.

- Fit the straight ends of the left and right roll cages into the connector posts on the light rack.
- Fit the roll cage crossbar into the connector posts on the left and right roll cages.



- Insert four #8 x $\frac{3}{4}$ " screws into the roll cage. You may need to spin the crossbar to align the screw holes in the crossbar with the screw holes in the roll cage connector posts.
- Tighten the screws with a Phillips screwdriver. Do not over-tighten.

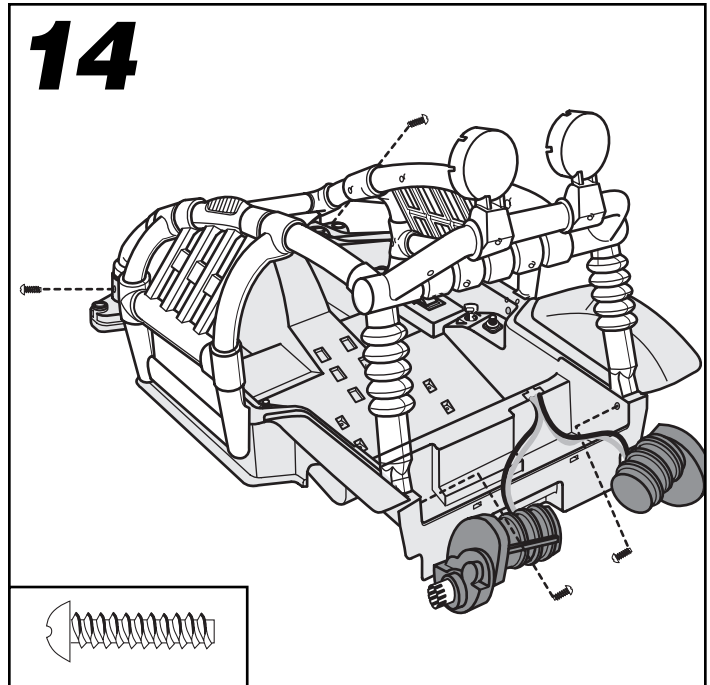
Assembly



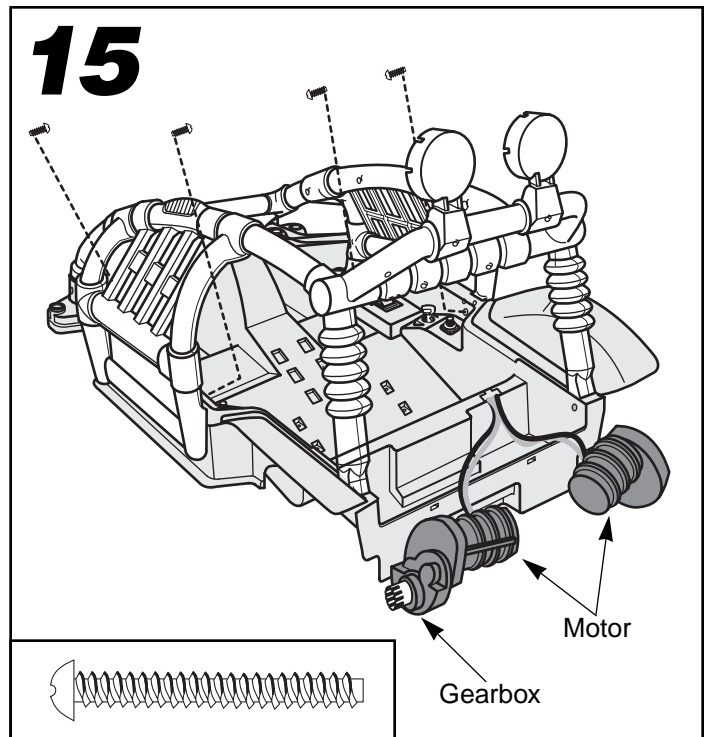
Important Notes:

- The front axles have been placed in the motors for shipment. Be sure to remove the front axles from the motors before proceeding with assembly.
- Note the position of the motors. You will be temporarily removing the motors from the vehicle body to attach the roll cage assembly. Once the roll cage is assembled to the vehicle body, you will need to place the motors back inside the vehicle body.
- You may want the help of another adult to complete this assembly step.
- Carefully lift the motors up and out of the vehicle body. Do not try to pull the motors through the holes in the sides of the vehicle body.
- Position the roll cage over the vehicle body.
- Starting at the back of the vehicle and working towards the front, fit the shock legs ①, side legs ② and front legs ③ into the vehicle body.

Important Note: Make sure the tabs on the side bars are positioned in the slots in the vehicle body before fitting the side legs into the vehicle body.



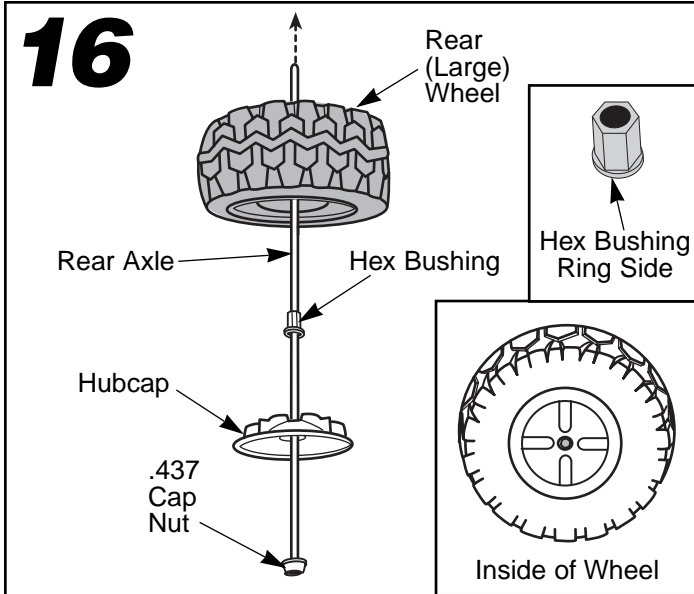
- Insert four #8 x $\frac{3}{4}$ " screws through the vehicle body and into the roll cage.
- Tighten the screws with a Phillips screwdriver. Do not over-tighten.



- Insert four #8 x $1\frac{1}{2}$ " screws through the vehicle body and into the roll cage.
- Tighten the screws with a Phillips screwdriver. Do not over-tighten.
- Fit the motors back into the vehicle body. The gear boxes on the motors should fit into the openings in the sides of the vehicle body.

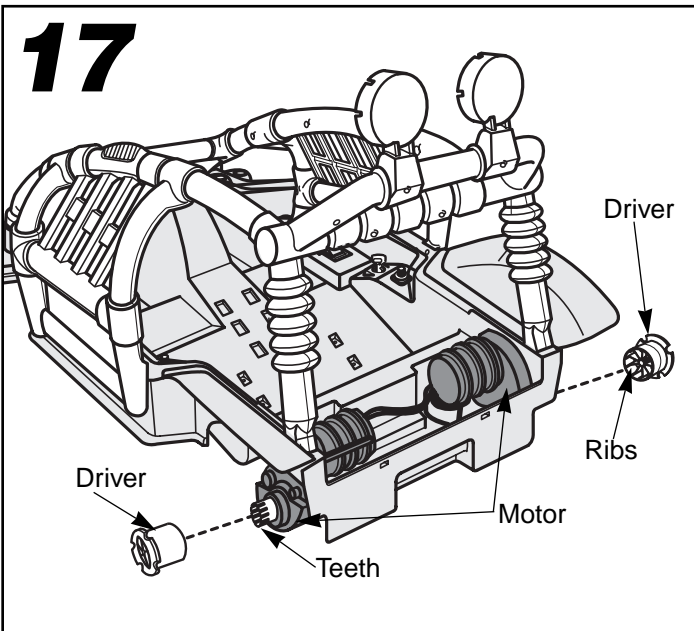
Assembly

16



- Position a .437 cap nut on a flat surface and fit one end of the rear axle into it.
 - Tap the other end of the rear axle with a hammer to secure the cap nut on the end of the axle.
 - Slide a hubcap (ribbed side up) onto the rear axle.
 - Slide a hex bushing (ring side up) onto the rear axle.
- Please Note:** The rear wheels are larger than the front wheels.
- Slide a rear wheel (inside surface up) onto the rear axle.
 - Set the rear axle assembly aside.

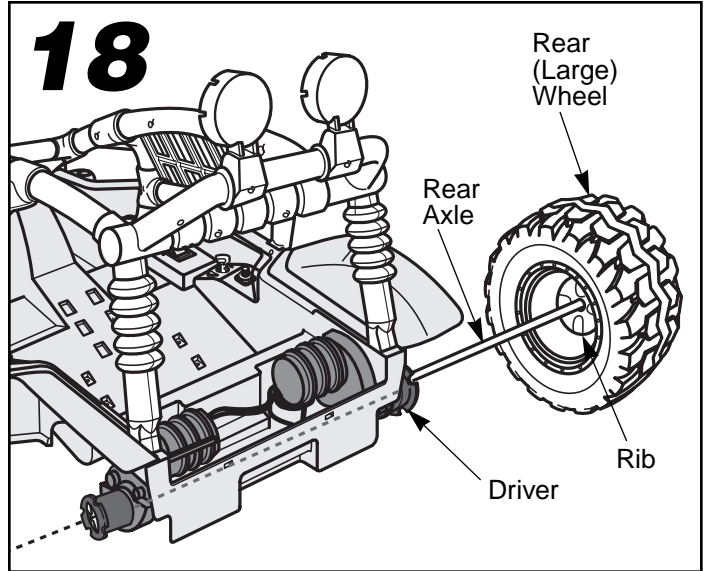
17



Helpful Hint: You may want the help of another adult to complete rear axle assembly steps 17 - 20.

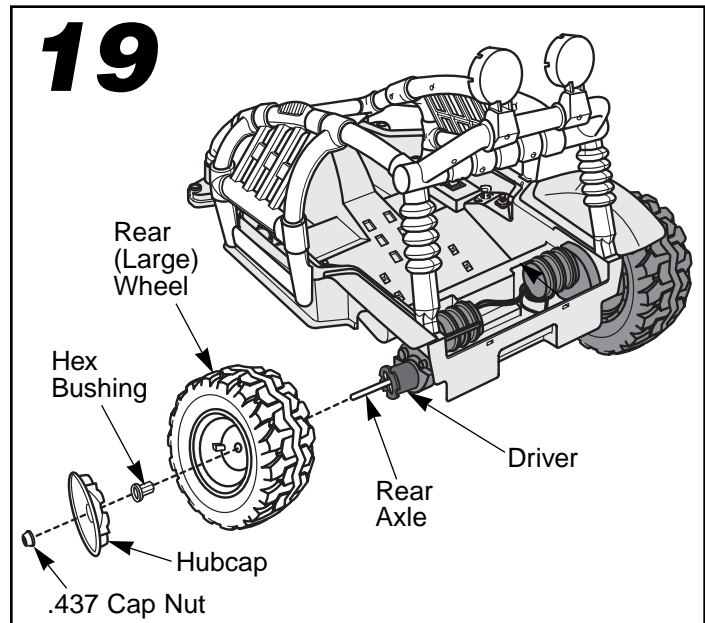
- Fit a driver onto the motor on each side of the vehicle body. Align the ribs on the inside of the drivers with the gearbox teeth on the motors.

18



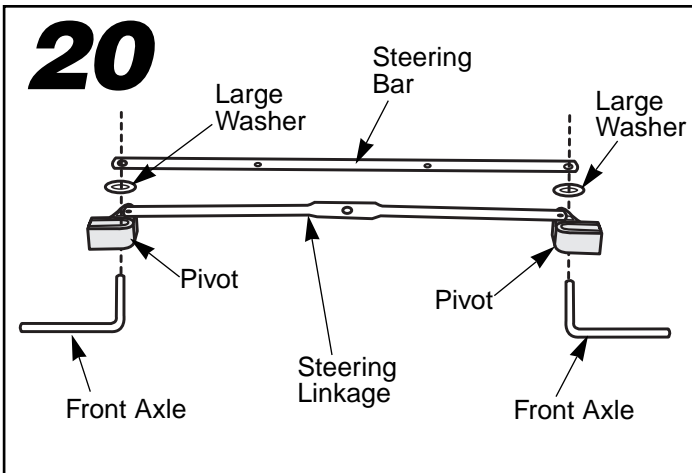
- Slide the rear axle into the hole in the center of a driver, through the guides on the inside of the vehicle body and out through the motor and driver on the other side of the vehicle body.
- Rotate the rear wheel to make sure the ribs on the wheel fit into the notches in the driver.

19

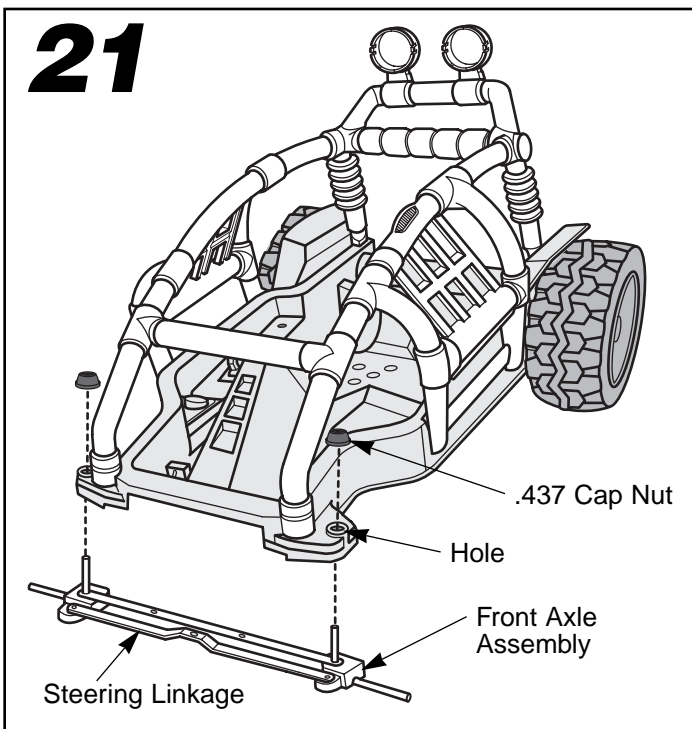


- Slide a rear wheel onto the rear axle. Make sure that the ribs on the wheel fit into the notches in the driver.
- Slide a hex bushing (barrel side first) onto the rear axle and into the center of the wheel.
- Slide a hubcap onto the rear axle.
- Fit a .437 cap nut on the end of the rear axle.
- Support the cap nut on the opposite rear wheel and tap the cap nut with a hammer.
- Pull on the wheel to make sure the cap nut is secure on the axle.
- Set the vehicle body aside.

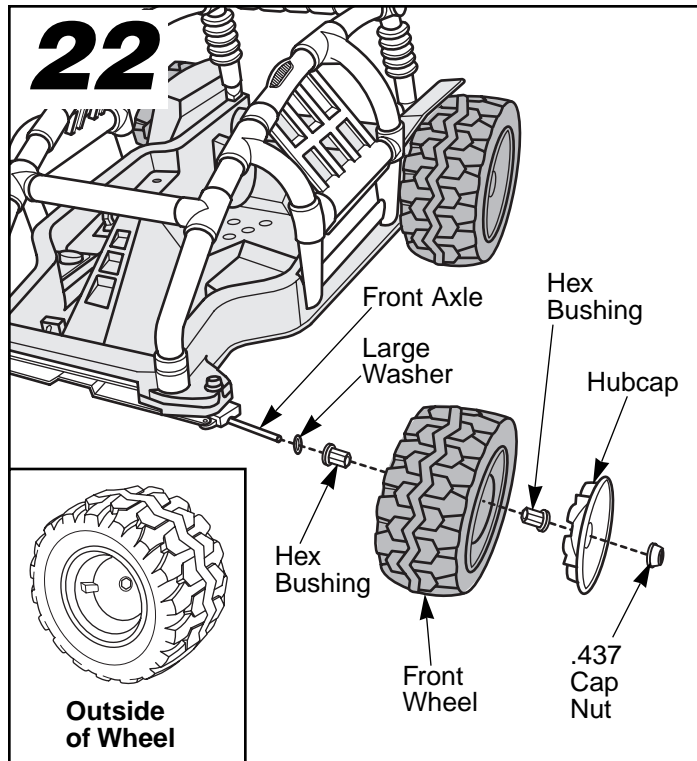
Assembly



- Position the steering linkage with the pivots on the bottom of the steering linkage. Make sure the pivots are positioned **exactly as shown above**.
 - Fit the short leg on a front axle up through the hole in each pivot. Make sure the axles' long leg fits into the grooves in the bottoms of the pivots.
- Important Note:** You may need to tap the front axles lightly with a hammer to fit the long legs in the grooves.
- Fit a large washer onto the short leg of each front axle.
 - Fit the steering bar onto the short front axle legs.

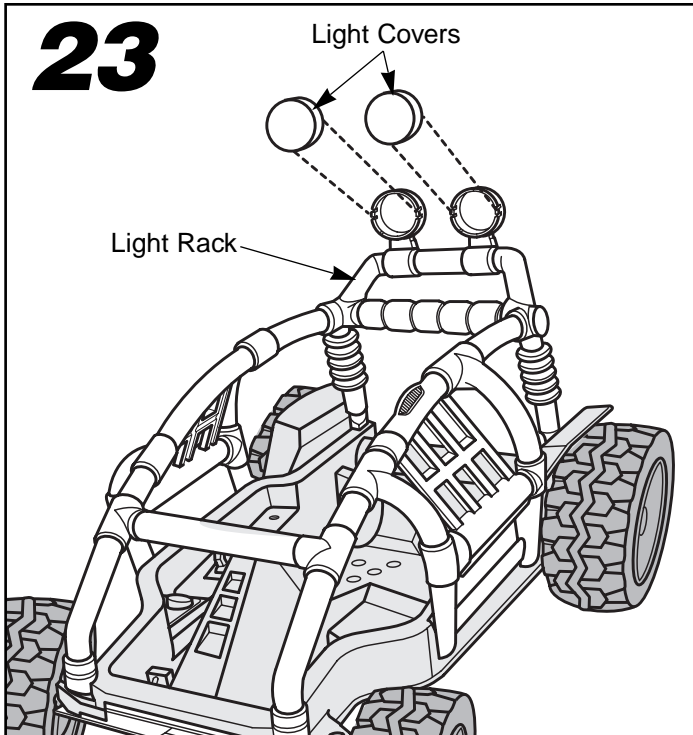


- From the underside of the vehicle body and with the steering linkage (bottom bar) closest to the front of the vehicle body, fit the front axle legs up through the holes in the vehicle body floor.
- Fit a .437 cap nut on the end of each front axle.
- Support the bottom of the pivots so that the front axles do not slip out of the pivot grooves and tap the cap nuts with a hammer.

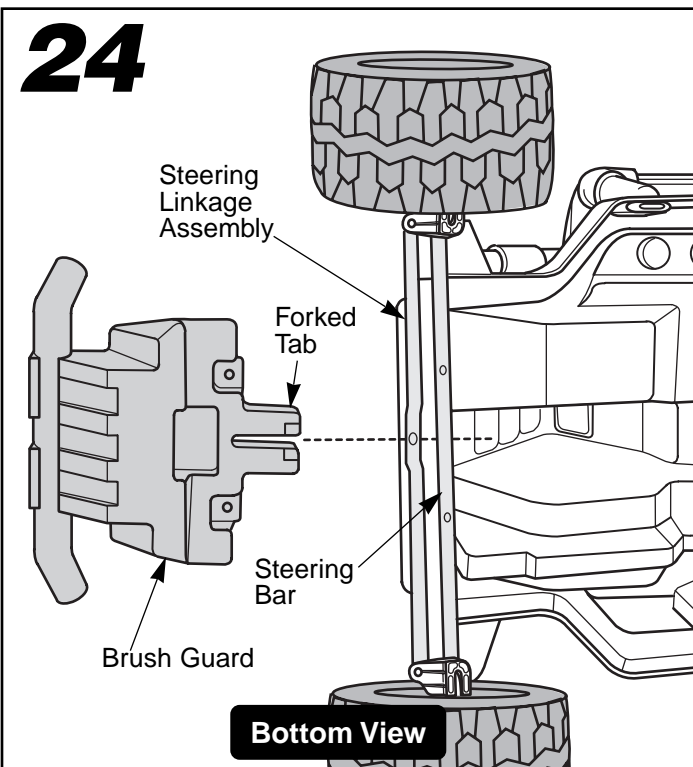


- Slide a large washer onto a front axle.
- Slide a hex bushing (ring side first) onto a front axle.
- Slide a front wheel onto the same front axle.
- Slide a hex bushing (barrel side first) onto the same front axle.
- Slide a hubcap onto the same front axle.
- Fit a .437 cap nut on the end of the front axle and tap the cap nut with a hammer.
- Pull on the front wheel to make sure the cap nut is secure.
- Repeat this procedure to complete the front wheel assembly on the other side of the vehicle.

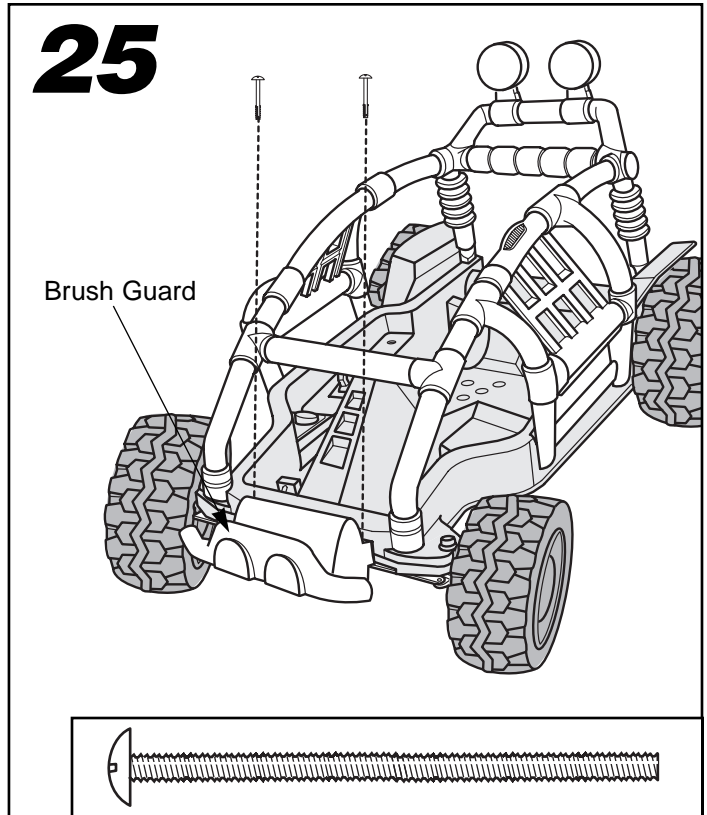
Assembly



- Align the tabs on the insides of the KC™ light covers with the notches on the light rack housings and snap the light covers to the housings.

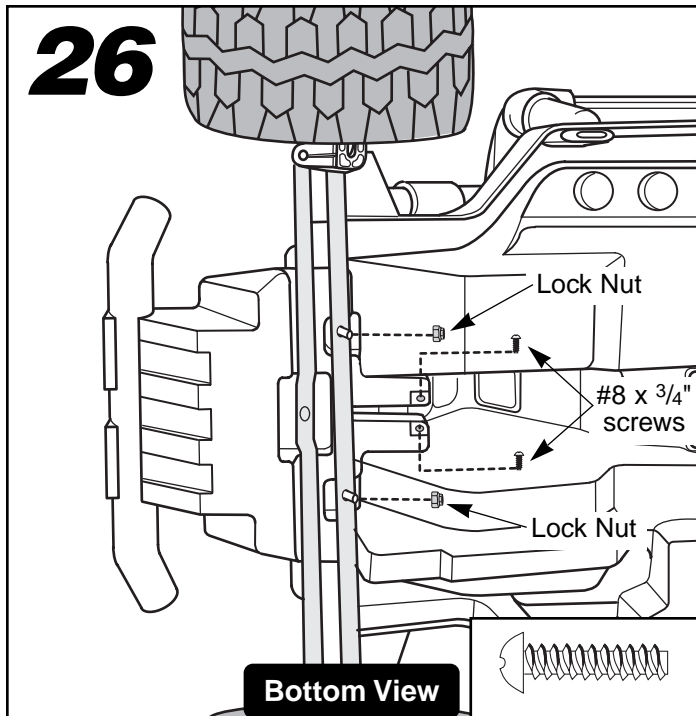


- Position the vehicle on its side.
- Fit the forked tab on the brush guard between the steering linkage assembly and vehicle body so that the holes in the brush guard are aligned with the holes in the steering bar.

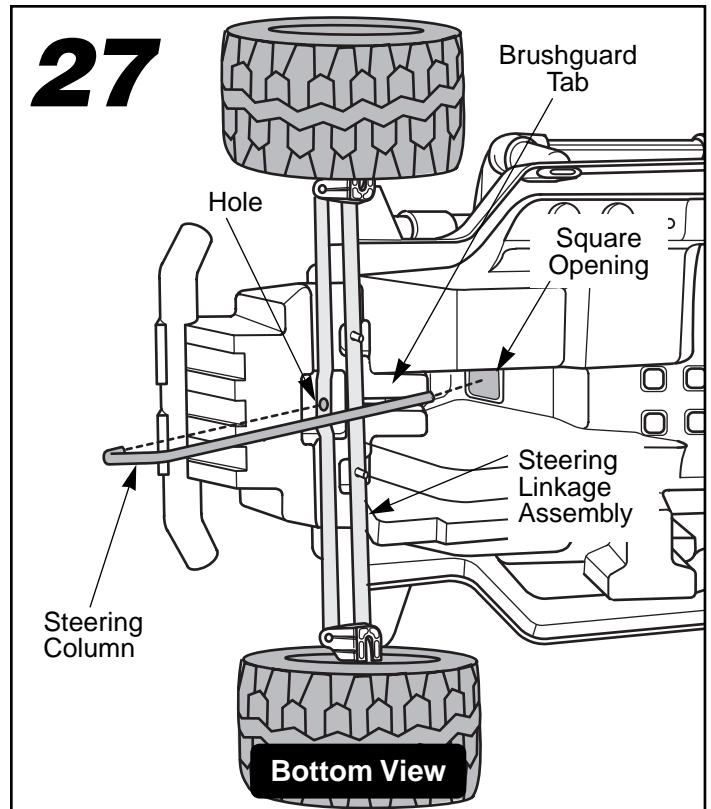


- Hold the brush guard in place and position the vehicle body upright.
- Insert two $\frac{1}{4}$ - 20 x $2\frac{3}{4}$ " bolts through the vehicle body, through the brush guard and into the steering bar.

Assembly

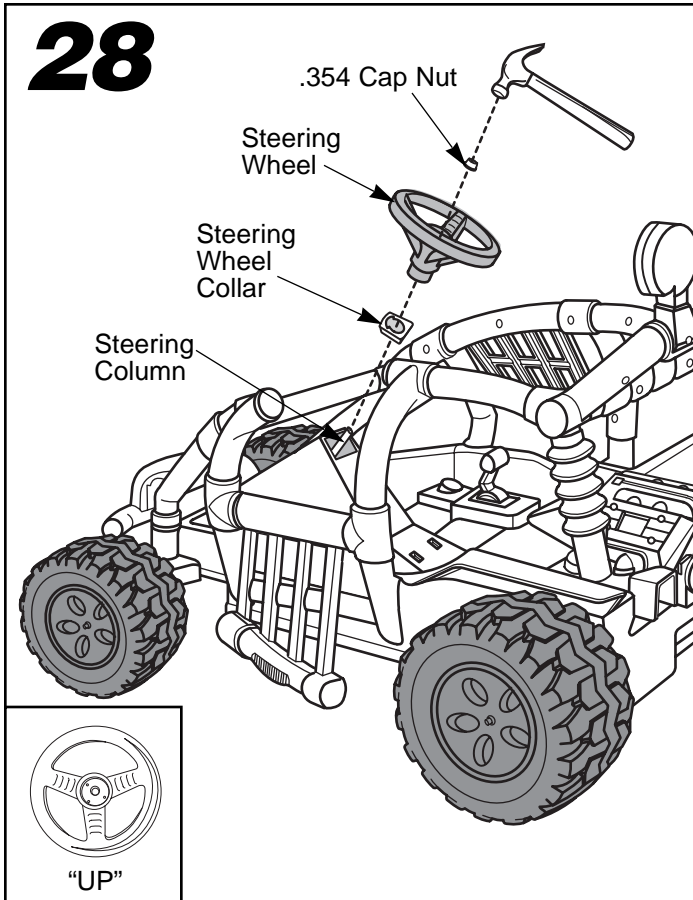


- Holding the brush guard and bolts in place, carefully position the vehicle body on its side.
- **Hand-tighten** a lock nut on the end of each bolt.
- Insert two #8 x 3/4" screws through the holes in the forked brushguard tab and into the vehicle body.
- Tighten the screws with a Phillips screwdriver. Do not over-tighten.
- Using pliers to grip the lock nuts, tighten the bolts with lock nuts using a Phillips screwdriver. Do not over-tighten.

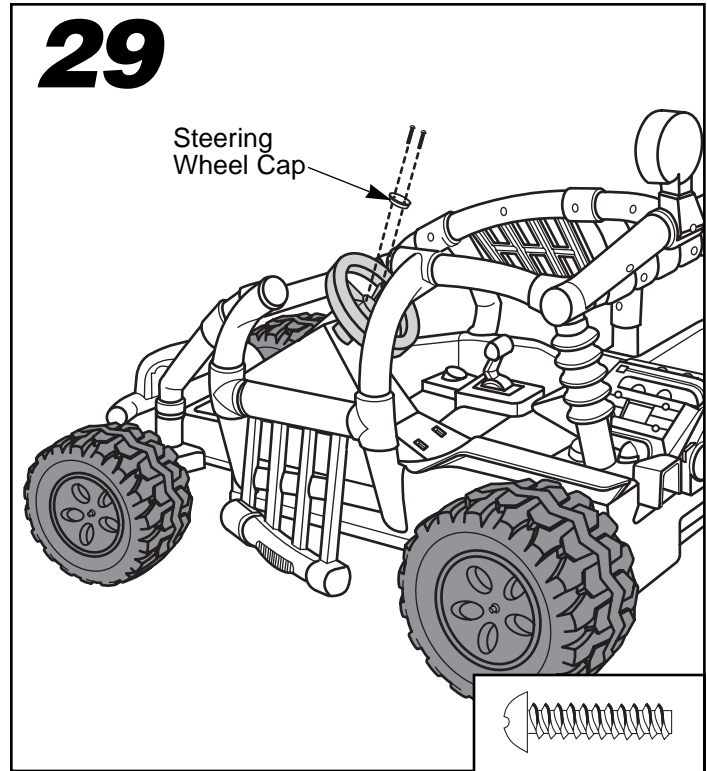


- Insert the straight end of the steering column up through the square opening in the vehicle body.
- Fit the curved end of the steering column into the hole in the steering linkage assembly. The steering column fits snugly into the slot in the brushguard tab.

Assembly



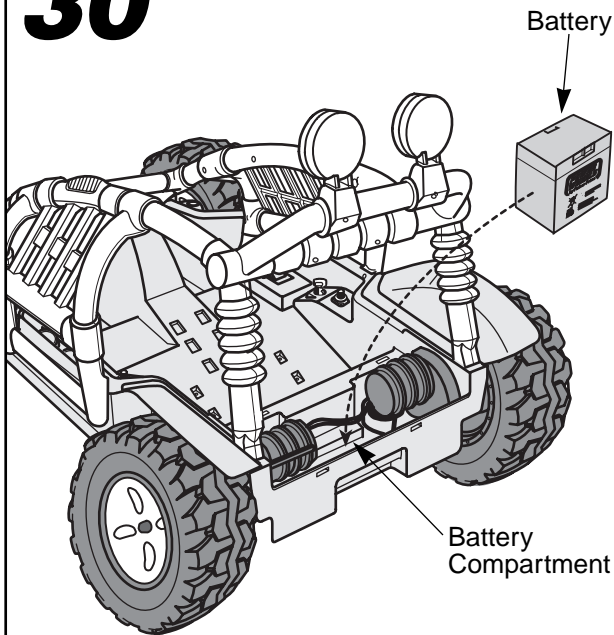
- While holding the steering column in place, position the vehicle body upright.
- Push up on the end of the steering column to center it in the vehicle body opening.
- Fit the steering wheel collar over the end of the steering column and press the collar into the opening in the vehicle body.
- Position the steering wheel upright so that the spokes form a "Y".
- Fit the steering wheel onto the steering column. Make sure the base of the steering wheel fits into the steering wheel collar.
- Fit a .354 cap nut on the end of the steering column.
- Support the end of the steering column near the steering linkage assembly and tap the cap nut with a hammer to secure it. Pull on the steering wheel to make sure the cap nut is secure.



- Fit the steering wheel cap into the center of the steering wheel.
- Insert two #8 x $\frac{3}{4}$ " screws into the steering wheel cap.
- Tighten the screws with a Phillips screwdriver. Do not over-tighten.

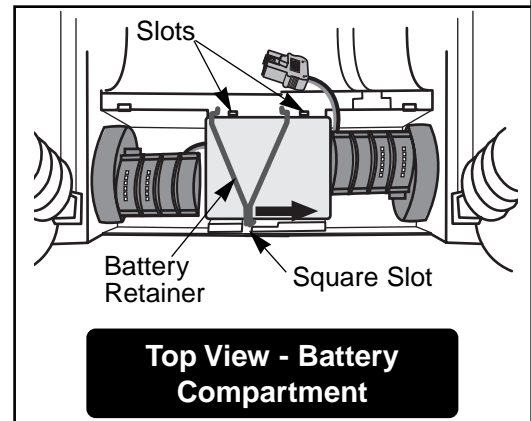
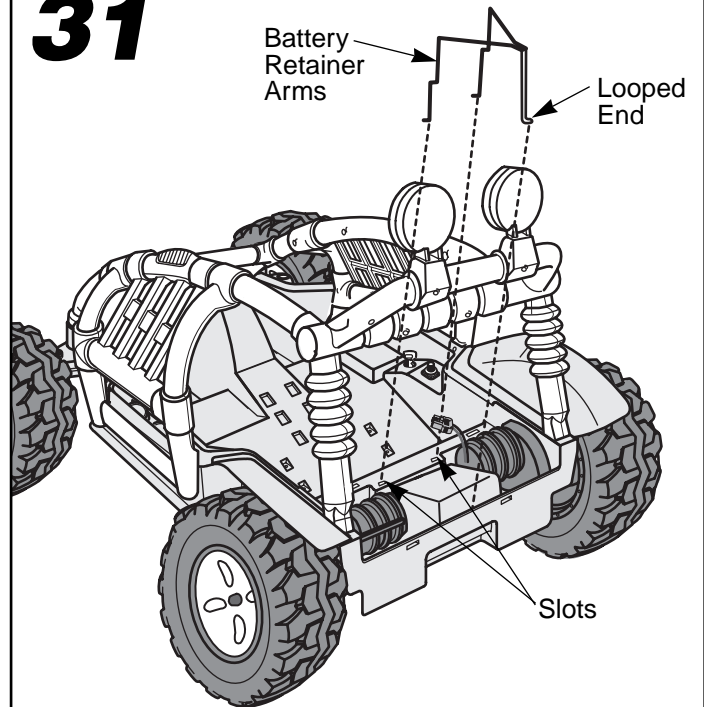
Assembly

30



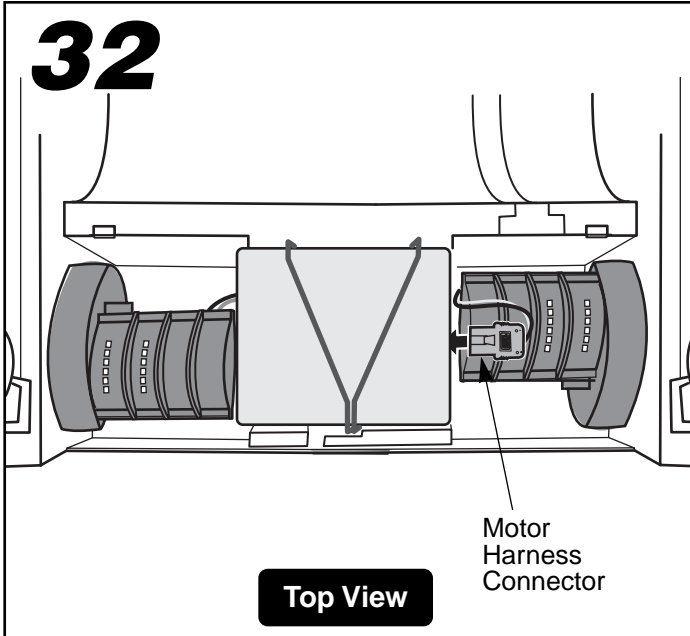
- Once the battery is charged, it is ready to be assembled in your vehicle.
- Place the battery between the motors. Make sure that the battery connector extends toward the right side of the vehicle.

31

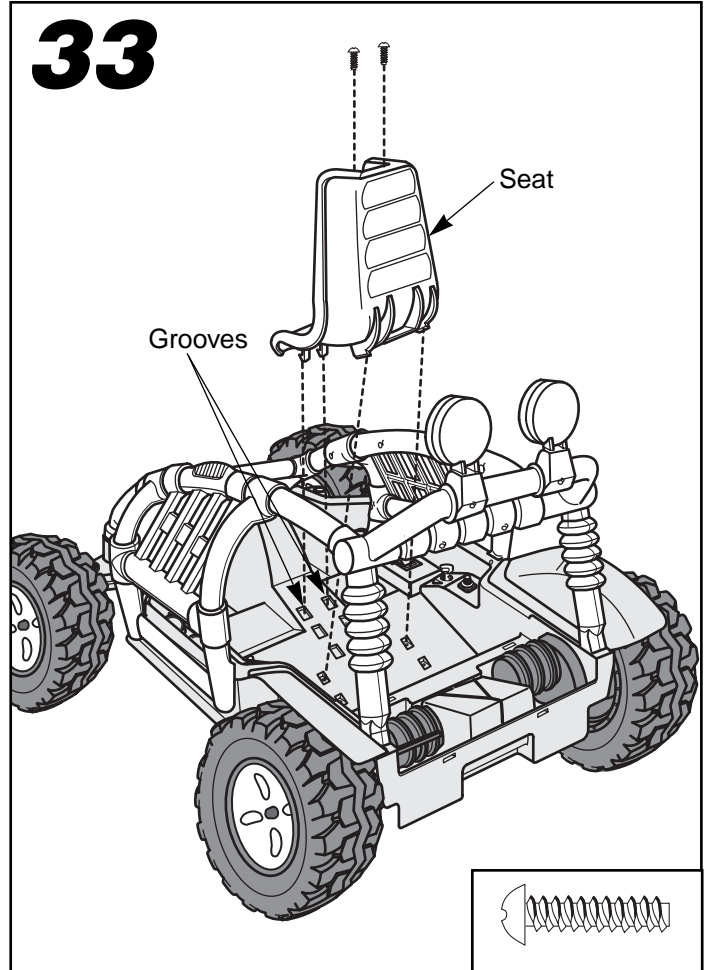


- Fit the looped end of the battery retainer into the square slot towards the rear of the battery compartment.
- Slide the battery retainer to the right to capture the looped end.
- Squeeze the battery retainer arms together and fit them into the slots behind the seat.
- Release the battery retainer arms in the slots.

Assembly



- Plug the motor harness connector into the battery.

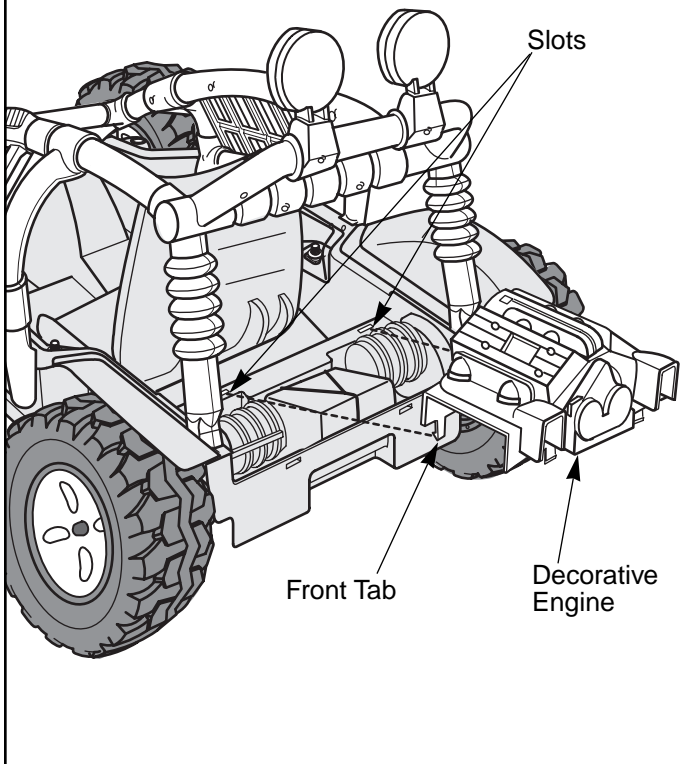


Please Note: The seat can be assembled in any one of three positions for your child's comfort.

- Determine in which position to assemble the seat.
- Fit the tabs on the bottom of the seat into the selected openings in the vehicle body floor.
- Seat your child in the vehicle to check foot to pedal distance to make sure the seat is positioned correctly for your child.
- Once the seat is correctly positioned, insert two #8 x $\frac{3}{4}$ " screws through the holes in the seat and into the vehicle body.
- Tighten the screws with a Phillips screwdriver. Do not over-tighten.

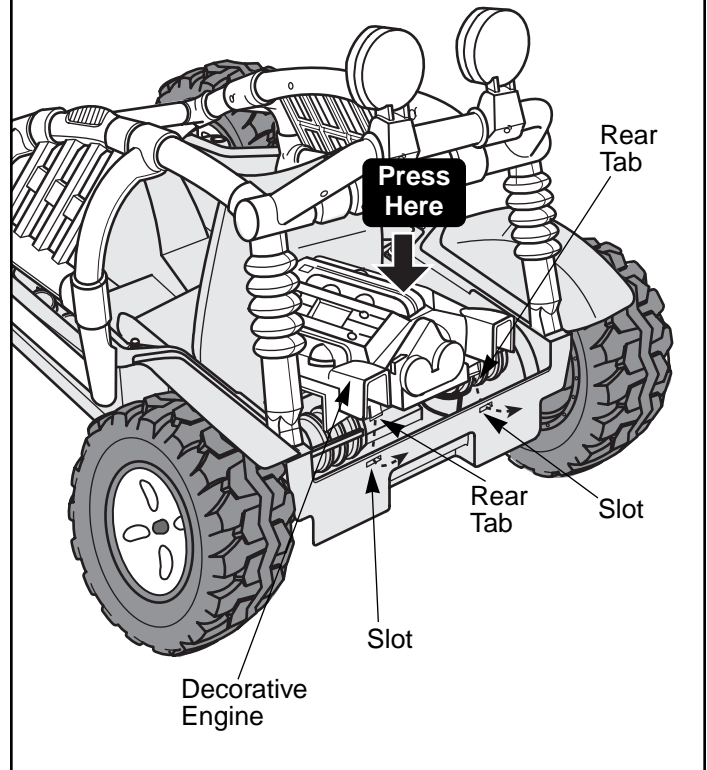
Assembly

34



- With the decorative engine positioned as shown, fit the decorative engine over the batteries.
- Fit the tabs on the front of the decorative engine into the slots behind the seat.

35



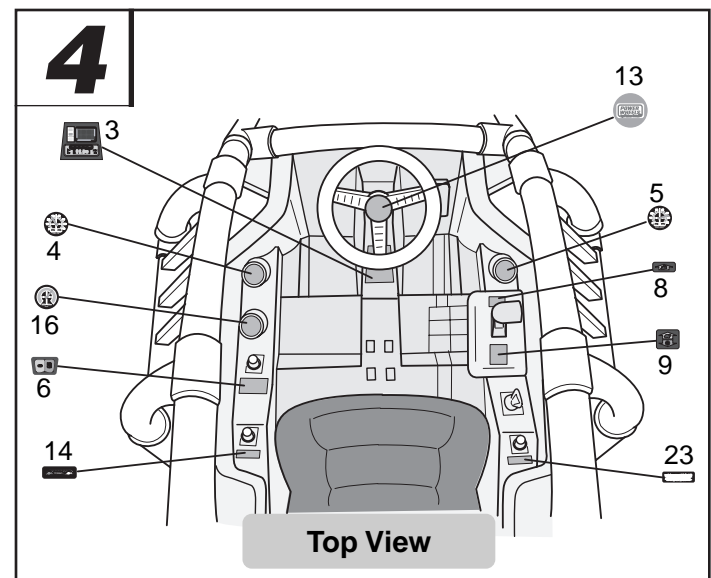
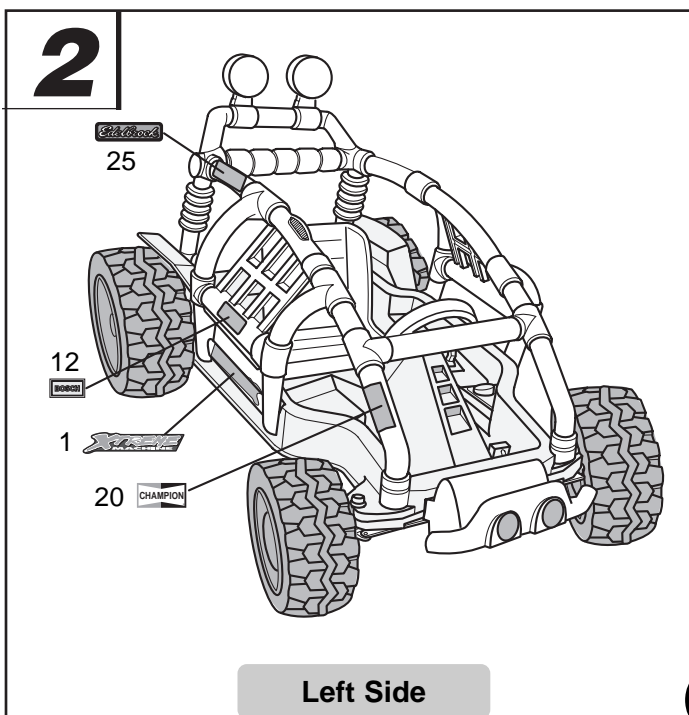
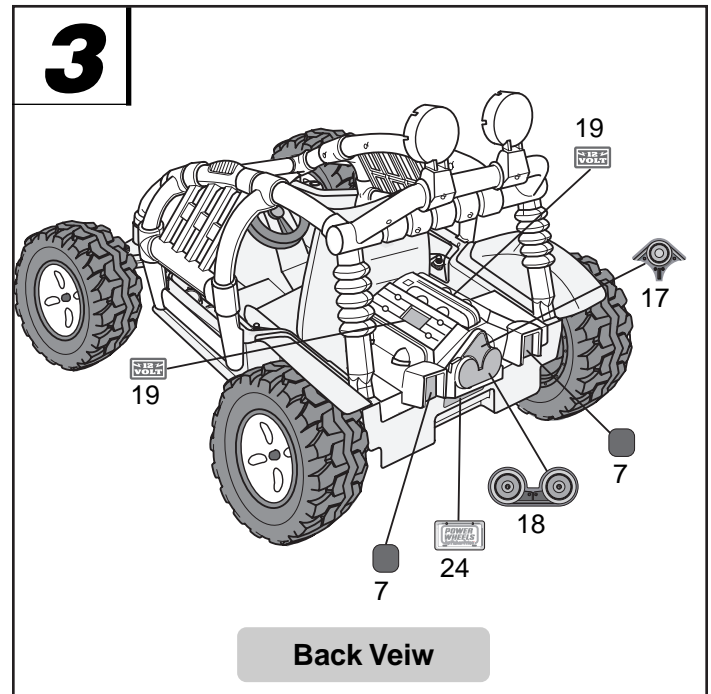
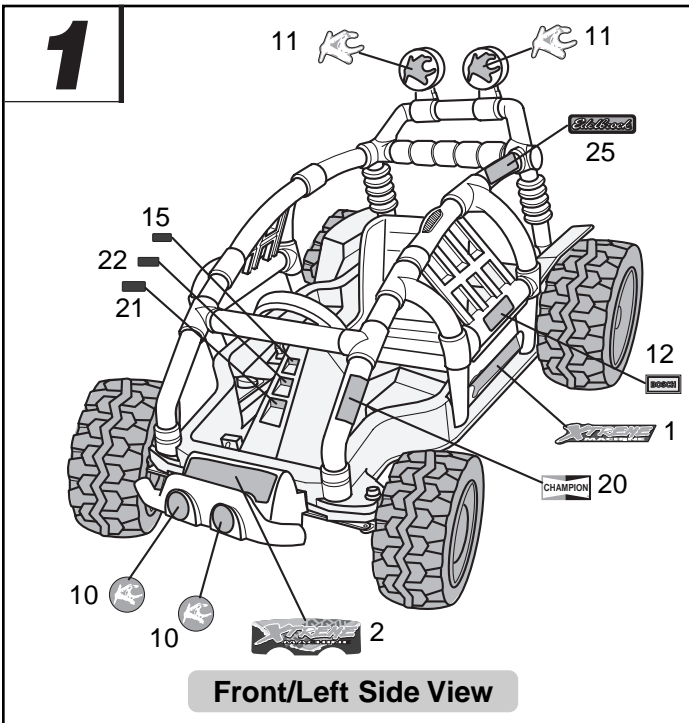
- Press down to fit the tabs on the rear of the decorative engine into the slots in the back of the vehicle body.
- Please Note:** To disassemble the decorative engine and access the batteries, push in on the back of the decorative engine above the rear tabs.
- One-time assembly is now complete.** Three extra cap nuts and three extra #8 x 3/4" screws are included with your vehicle. You should not have any extra washers or bushings. If you have extra washers or bushings, carefully re-read the assembly instructions and correct assembly of your vehicle as necessary.

G

Label Decoration

Proper label application will help to keep the labels looking their best! When applying labels, keep the following guidelines in mind:

- Wash your hands before applying the labels.
- Before applying the labels, wipe the surface of the vehicle with a clean, dry cloth to remove any dust or oils.
- Place the labels exactly as shown in the illustrations.
- For best results, avoid repositioning a label once it has been applied to the vehicle.
- After applying a label, rub the label firmly with a clean, dry cloth to make sure the label is adhered to your vehicle. Start at the center of a label, and smooth towards the outer edges to remove air bubbles.



H

Battery Care and Disposal

Care

If a battery leak develops, avoid contact with the leaking acid and place the damaged battery in a plastic bag. See information below for proper disposal.

If acid comes in contact with skin or eyes, flush with cool water for at least 15 minutes and call a physician.

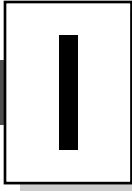
If acid is internally ingested, give water, milk of magnesia or egg whites immediately. Never give emetics or induce vomiting. Call a physician.

- Charge a new battery for at least 18 hours before first use. Never charge the battery longer than 30 hours. Overcharging or undercharging the battery may shorten battery life and decrease vehicle running time.
- After the first charge, recharge the battery for at least 14 hours after each use. Never charge the battery longer than 30 hours. Charge the battery after each use, regardless of how long the vehicle was used.
- The battery must be upright while charging.
- Do not allow the battery to run down completely before charging.
- Charge the battery before storing the vehicle.
- Do not store the battery in temperatures above 75° F or below -10° F.
- Charge the battery at least once per month, even if the vehicle has not been used.
- Leaving the battery in a discharged condition will ruin it.
- Always remove an exhausted battery from the vehicle. Battery leakage and corrosion can damage the vehicle.
- Prevent the battery from moving freely inside the battery compartment. Always use the battery retainer to secure the battery in the battery compartment.
- Examine the battery, charger and their connectors for excessive wear or damage each time you charge the battery. If damage is detected, do not use the charger or the battery until you have replaced the worn or damaged part.

Disposal



- Your Power Wheels® battery is a sealed lead-acid battery. It must be recycled or disposed of in an environmentally sound manner.
- Do not dispose of a lead-acid battery in your regular, household trash. The incineration, landfilling or mixing of sealed lead-acid batteries with household trash is prohibited by law in most areas.
- Return the battery to a federal or state approved lead-acid battery recycler, such as a Power Wheels® authorized service center, or a local seller of automotive batteries. In Minnesota, call 1-800-348-0751 if further disposal information is required. Contact your local waste management officials for other information regarding the environmentally sound collection, recycling and disposal of lead-acid batteries.



Rules for Safe Driving



WARNING

- Adult supervision is required. Children do not have the judgement necessary to avoid many accidents. Be sure that children operating this vehicle can do so safely and that they are supervised at all times.
- Never use near steps, driveways, steep inclines, roadways, alleys, swimming pool areas or other bodies of water.
- Always wear shoes or sneakers when operating this vehicle.
- Never allow more than one rider.
- The rider should sit on the seat when the vehicle is in operation.

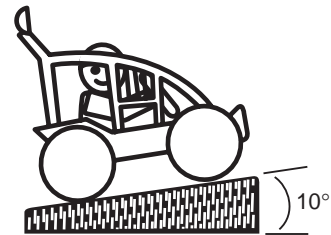
Teach Safety Rules to Children

While children can quickly develop the skill necessary to drive this vehicle, it is important to remember that their judgment skills are still very immature. Unsupervised driving by children can lead to serious injury. Before children use the this vehicle, an adult should carefully evaluate the driving area as well as the children's skill level and ability to drive this vehicle safely. Children are not always able to recognize or anticipate hazards, even when they have been taught about them. There is no acceptable substitute for adult supervision.

Teach appropriate safety rules to your child before allowing operation of this vehicle. These rules should also be reviewed with neighborhood children or other playmates who want to drive this vehicle.

1. Do not allow any child to drive the vehicle in the street or near moving (motorized) vehicles.
2. Do not allow any child to drive near bodies of water (such as pools or creeks), obstructions (such as furniture, low tree limbs or play equipment), or drop-offs (such as stairs or decks).
3. Do not allow any child to drive the vehicle in the dark. A child could encounter unexpected obstacles and have an accident. Operate the vehicle only in the daytime or in a well-lit area.

4. Teach your child to avoid driving on steep inclines or slopes. Restrict your child's driving to areas that are fairly level with gentle inclines or slopes of no more than 10°.
 - While driving down a steep slope, the vehicle may gain unsafe speed, even if the foot pedal is released to stop.
 - While driving across a steep slope, the vehicle may tilt and tip over. The wheels could lose traction, causing the vehicle to slip.
 - While driving up a steep incline, the motor may stop and the vehicle could roll backwards at an unsafe speed.



Incline should never be more than 10°

5. Do not operate this vehicle with more than one rider, seated on the seating area. A child who is not sitting on the seat or who is standing on the vehicle could fall off, cause a tip-over or block the driver's view. A child could be seriously injured.
6. Always wear shoes or sneakers when operating this vehicle.
7. Never put anything near any moving parts. Rotating parts such as motors, gear boxes and wheels can snag fingers, hair, etc., causing serious injury. Do not allow operation of the vehicle when it is on its side or in an upside-down position.
8. Do not operate the vehicle near flammable vapors (gasoline, paint thinner, acetone, liquid wax, etc.). The vehicle's electrical switches, like most electrical switches, emit an internal spark when first turned on or turned off. The presence of flammable liquids or vapors could cause an explosion or a fire. Keep all flammable products in tightly sealed containers and away from the vehicle.
9. Do not allow a child to operate the vehicle without proper adult supervision. To prevent unsupervised use of the vehicle, disconnect the motor harness from the battery when the vehicle is not in use.

To disconnect the motor harness connector and battery connector:

- Remove the decorative engine.
- Unplug the motor harness connector from the battery.
- Reassemble the decorative engine.

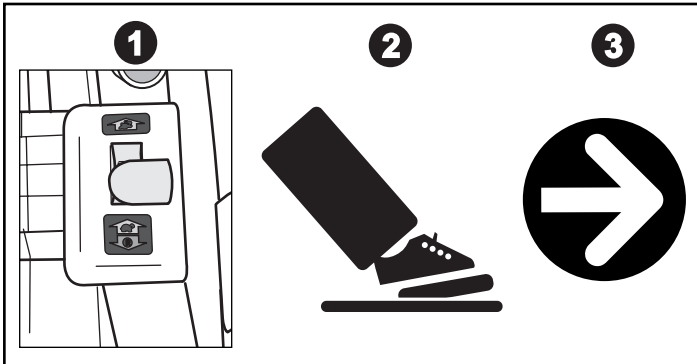
J

How to Operate Your Vehicle

Beginner Use - Low Speed Drive

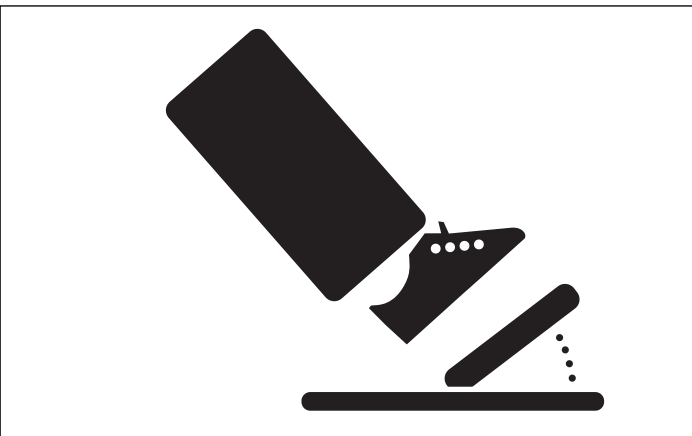
As assembled, your vehicle is ready to roll in low speed (2½ mph, maximum). It has been pre-set so it will only operate in low speed. After your child has mastered the basic skills of driving and understands the rules for safe driving, it's time to disconnect the high speed lock-out to allow the vehicle to operate in low or high speed.

See the instructions on page 27 to disconnect the high speed lock-out.



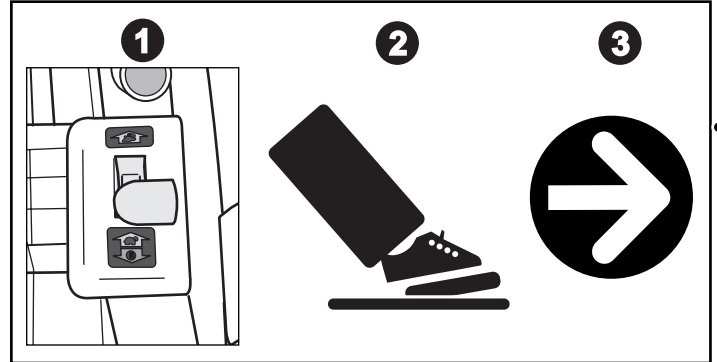
- Make sure the shifter is in the low speed (🚗) position ①.
- Press down on the foot pedal ②. The vehicle will go forward at a maximum of 2½ mph ③.
- Help your child practice steering to learn how far and how quickly to turn the steering wheel when driving forward in low speed.

To Stop 🚫



- Your vehicle has a patented, electronic braking system that automatically stops the vehicle when your child's foot is lifted from the pedal.
- Make sure your child is comfortable with steering the vehicle and automatically knows how to stop.

To Back Up



Please Note: To avoid damaging the motors and gears, make sure to stop the vehicle before switching from forward to reverse (🚗).

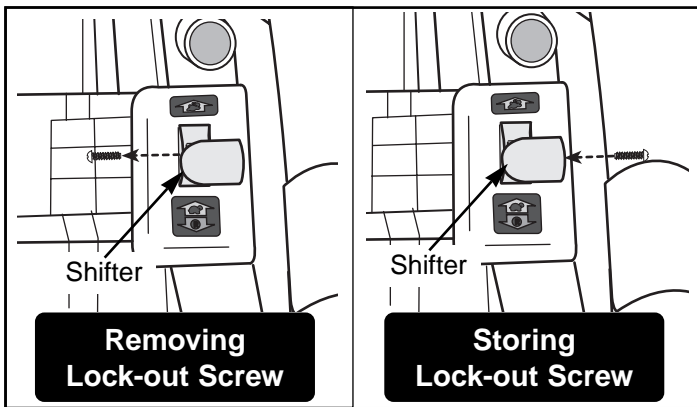
- Once your child is completely comfortable with operating the vehicle in the forward mode, introduce reverse (🚗).


To Back Up

- Make sure the shifter is in the reverse (🚗) position ①.
- Press down on the foot pedal ②. The vehicle will go in reverse at a maximum of 2½ mph ③. The vehicle is designed to operate in low speed only in reverse.
- Help your child practice steering to learn how far and how quickly to turn the steering wheel when driving in reverse.

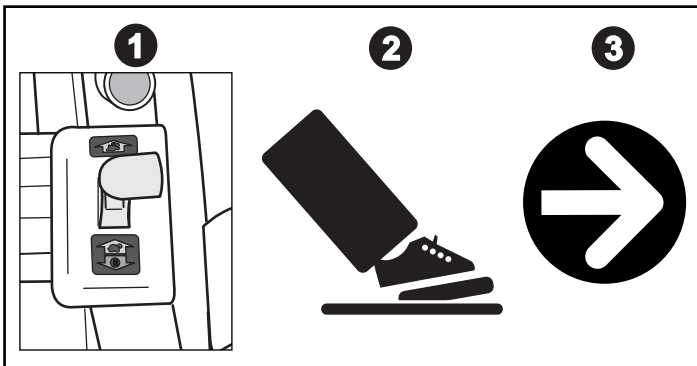
How to Operate Your Vehicle

Advanced Use - High Speed Drive




- Before you disconnect the high speed lock-out, make sure your child knows how to steer, how to start and stop the vehicle, and knows the rules for safe driving. When the high speed lock-out is disconnected, the vehicle can be driven forward in low speed (2½ mph, maximum) or high speed (5 mph, maximum).
- Make sure the shifter is in the low speed () position.
- Loosen the screw in the shifter using a Phillips screwdriver.
- Remove the screw.
- Insert the lock-out screw into the hole in the outside of the shifter handle to keep it for future use (see above). It can be re-inserted into the shifter to lock-out high speed.

To Drive - High Speed



Please Note: To avoid damaging the motors and gears, make sure to stop the vehicle before switching between low and high speeds.

- Make sure the shifter is in the high speed () position ①.
- Press down on the foot pedal ②. The vehicle will go forward at a maximum of 5 mph ③.
- Help your child practice steering to learn how far and how quickly to turn the steering wheel when driving forward in high speed.
- Stopping in high speed is the same as stopping in low speed. The vehicle automatically stops when your child's foot is lifted from the pedal.

K

Caring For Your Vehicle

- Check all nuts, bolts, and their protective coverings regularly and tighten as required. Check plastic parts on a regular basis for cracks or broken pieces.
- During snowy or rainy weather, the vehicle should be stored inside or under a protective cover. Remember to charge the battery at least once per month while your vehicle is not in regular use.
- Avoid operating the vehicle in wet or snowy conditions and do not spray the vehicle with a hose. Do not wash the vehicle with soap and water. Water or moisture in the motors or electrical switches can cause them to corrode and could cause switch or motor failure.
- The vehicle can be wiped down with a soft, dry cloth. For a shiny finish, you can wipe plastic parts with a non-wax furniture polish applied to a soft-cloth. Do not use automotive wax. Do not use soap and water or spray the vehicle with a hose.
- To ensure that your vehicle stays in good operating order, we recommend that you periodically have your vehicle checked by a Power Wheels® authorized service center. See page 32 for the list of authorized service centers or call **1-800-348-0751** for the location of the authorized service center nearest you.

L

Problems and Solutions Guide

IMPORTANT! If you experience a problem with your vehicle, first check the Problems and Solutions Guide below. If you still experience a problem, please contact Power Wheels® Consumer Affairs, toll-free at **1-800-348-0751** between 8 AM and 5 PM (EST) Monday through Friday. Or, contact your local Power Wheels® authorized service center. For the location nearest you, please refer to the Authorized Service Center list beginning on page 32.

Problem	Possible Cause	Solution
Vehicle does not run	Undercharged battery	Charge the battery. A new battery should have been charged for at least 18 hours before using the vehicle for the first time. After first-time use, recharge the battery for at least 14 hours after each use. Never charge the battery longer than 30 hours.
		Check all connectors. Make sure the charger connector is plugged into the battery, and that the charger is plugged into the wall.
		Make sure power flow to the wall outlet is "ON".
	Charger is not working	There is no sure way to tell if your charger is working unless you have a volt meter. If you suspect there is a problem with your charger, contact your local Power Wheels® authorized service center. They can test your charger for you.
	Tripped thermal fuse	Each Power Wheels® 12 volt battery has a built-in thermal fuse. A thermal fuse may "trip" and shut down operation of the vehicle if the vehicle is overloaded or the driving conditions too severe. The fuse will automatically reset itself after approximately 25 seconds, allowing the vehicle to resume normal operation. To avoid repeated automatic shutdowns, do not overload the vehicle by exceeding the 65 lb. maximum weight capacity or by towing anything behind the vehicle. Avoid severe driving up very steep hills or running into fixed objects, which can cause the wheels to stop spinning while power is still being supplied to the motors. If a thermal fuse continually trips, contact your local Power Wheels® authorized service center.
	Loose wire or loose connectors	Check all wires and connectors. Make sure the motor harness connector is plugged into the battery, and that there are no loose wires around the motors.
	Dead battery	If your battery is old or if you have not followed Battery Care instructions, your battery may be dead. If you are unsure whether or not the battery is dead, you can have it tested at your local Power Wheels® authorized service center.
	Electrical switch damage	The electrical switches can become corroded due to exposure to water or moisture, or can jam due to loose dirt, sand or gravel. Contact your local Power Wheels® authorized service center for diagnosis and repair.
Motor damage	Contact your local Power Wheels® authorized service center for diagnosis and repair.	

Problems and Solutions Guide

Problem	Possible Cause	Solution
Vehicle was running but denly stopped	Loose wire or loose connectors	Check all wires and connectors. Make sure the motor sud-harness connector is plugged into the battery, and that there are no loose wires around the motors.
	Tripped thermal fuse	Each Power Wheels® 12 volt battery has a built-in thermal fuse. A thermal fuse may "trip" and shut down operation of the vehicle if the vehicle is overloaded or the driving conditions too severe. The fuse will automatically reset itself after approximately 25 seconds, allowing the vehicle to resume normal operation. To avoid repeated automatic shutdowns, do not overload the vehicle by exceeding the 65 lb. maximum weight capacity or by towing anything behind the vehicle. Avoid severe driving up very steep hills or running into fixed objects, which can cause the wheels to stop spinning while power is still being supplied to the motors. If a thermal fuse continually trips, contact your local Power Wheels® authorized service center.
Short run time (Less than 1 - 3 hours per charge)	Undercharged battery	Charge the battery. A new battery should have been charged for at least 18 hours before using the vehicle for the first time. After first-time use, recharge the battery for at least 14 hours after each use. Never charge the battery longer than 30 hours.
		Check all wires and connectors. Make sure the charger connector is plugged into the battery, and that the charger is plugged into the wall.
		Make sure power flow to the wall outlet is "ON".
	Overcharged battery	Do not charge the battery longer than 30 hours. If you suspect that your battery is damaged as a result of overcharging, contact your local Power Wheels® authorized service center. They can test your battery for you.
	Battery is old and will not accept full charge	Even with proper care, a rechargeable battery does not last forever. Average battery life is 1 to 3 years depending on vehicle use and use conditions. Replace the battery with a new Power Wheels® 12 volt rechargeable battery. For best performance, do not use substitute parts.
	Tripped thermal fuse	Each Power Wheels® 12 volt battery has a built-in thermal fuse. A thermal fuse may "trip" and shut down operation of the vehicle if the vehicle is overloaded or the driving conditions too severe. The fuse will automatically reset itself after approximately 25 seconds, allowing the vehicle to resume normal operation. To avoid repeated automatic shutdowns, do not overload the vehicle by exceeding the 65 lb. maximum weight capacity or by towing anything behind the vehicle. Avoid severe driving up very steep hills or running into fixed objects, which can cause the wheels to stop spinning while power is still being supplied to the motors. If a thermal fuse continually trips, contact your local Power Wheels® authorized service center.

Problems and Solutions Guide

Problem	Possible Cause	Solution
Vehicle runs sluggishly	Undercharged battery	Charge the battery. A new battery should have been charged for at least 18 hours before using the vehicle for the first time. After first-time use, recharge the battery for at least 14 hours after each use. Never charge the battery longer than 30 hours.
		Check all connectors. Make sure the charger connector is plugged into the battery, and that the charger is plugged into the wall.
		Make sure power flow to the wall outlet is "ON".
	Battery needs charging	After approximately 3 hours of constant use, the battery needs charging.
	Battery is old and will not accept full charge	Even with proper care, a rechargeable battery does not last forever. Average battery life is 1 to 3 years depending on the vehicle use and use conditions. Replace the battery with a new Power Wheels® 12 volt rechargeable battery. For best performance, do not use substitute parts.
	Vehicle is overloaded	Make sure you do not overload the vehicle by allowing more than 1 rider at one time, by exceeding the 65 lb. maximum weight capacity, or by towing objects behind the vehicle.
	Driving conditions are too stressful	Use only on gentle inclines or slopes of 10° or less.
Vehicle runs in low speed, but does not run in high speed (Please Note: The vehicle is designed to operate in low speed only in reverse (♥).)	High speed lock-out not disconnected	The vehicle was pre-set to run only in low speed. To allow the vehicle to run in low and high speed, you must disconnect the High Speed Lock-Out. Follow the instructions on page 27 to remove the High Speed Lock-Out screw.
When the foot pedal is pressed only one rear wheel spins	Operation of vehicle in low speed	It is possible that only one rear wheel may spin when both rear wheels are raised off the ground and the vehicle is in low speed. This does not necessarily indicate a problem. Check for proper operation of the drive system by raising the rear wheels off the ground and pressing the foot pedal. If only one rear wheel spins, carefully press your hand on the spinning wheel to slow it down. The other rear wheel should begin to spin. If the other rear wheel does not begin to spin, there may be a problem with the vehicle. Contact your local Power Wheels® authorized service center for diagnosis and repair.
Sometimes the vehicle doesn't run, but other times it does	Loose wire or connector	Check all wires around the motors and all connectors to make sure they are tight.
	Motor or electrical switch damage	Contact your local Power Wheels® authorized service center for diagnosis and repair.

Problems and Solutions Guide

Problem	Possible Cause	Solution
When the foot pedal is pressed, the vehicle won't run without a push	Loose wire or connector	Check all wires around the motors and all connectors to make sure they are tight.
	"Dead Spot" on motor	Contact your local Power Wheels® authorized service center for diagnosis and repair.
Loud clacking or grinding noise from a motor-gearbox	Broken gears	Contact your local Power Wheels® authorized service center for diagnosis and repair.
Charger gets warm during use	It is normal for some chargers to get warm during use and is not reason for concern.	No action required. If your charger does not get warm during use, it does not mean that it is not working properly.
Battery makes a sizzling or gurgling noise when charging	It is normal for some battery to make noise and swell slightly while charging and is not reason for concern.	No action required. If your battery does not make noise or swell slightly during charging, it does not mean that it is not accepting the charge.

If, after reviewing the Problems and Solutions Guide, the vehicle still fails to operate, please contact your nearest authorized service center (see page 32) or contact Power Wheels® Consumer Affairs toll-free at **1-800-348-0751**.

Helpful Hint! For faster service when calling Consumer Affairs, completely charge the battery before calling and have the following available by the phone:

- vehicle,
- vehicle model number (see sticker in battery compartment),
- vehicle production run number (see sticker in battery compartment).

M

Bumper-to-Bumper* Limited Warranty

***One year limited warranty from the date of purchase on the Power Wheels® vehicle. Six month limited warranty on the 12 volt battery.**

For the original purchaser, this one year limited warranty covers the Power Wheels® ride-on vehicle (purchased from Power Wheels®) against defects in materials and workmanship. The six month limited warranty applies only to the 12 volt battery included by Power Wheels® with the original purchase of the vehicle.

This warranty covers normal use and does not cover the Power Wheels® vehicle or battery if damaged by unreasonable use, neglect, accident, abuse, misuse, improper service or other causes not arising out of defects in materials or workmanship. Evidence of any attempt at consumer repair will void this warranty. This warranty does not cover,

and is intended to exclude, any liability on the part of Power Wheels®, whether under this warranty or implied by law or any indirect or consequential damages for breach of warranty. Some states do not allow the exclusion or limitation so this limitation may not apply to you.

Should you need service or assistance with your vehicle during the warranty period, **do not return the vehicle to the store.** Power Wheels® has provided a nationwide network of authorized service centers. Please refer to the list in this manual. Power Wheels® is continually expanding our Authorized Service Center Network. If there is not an authorized service center in your area, please call Consumer Affairs for information, **1-800-348-0751.**

This warranty gives you specific legal rights, and you may also have other rights which may vary from state to state. **Please save your original sales receipt.**

N

Authorized Service Centers

We are continually expanding our Authorized Service Center Network. Please check this listing for the Authorized Service Center nearest you. If there is not one in your area, please call Power Wheels® Consumer Affairs at 1-800-348-0751.

ALABAMA

BIRMINGHAM - Frigid Appliance Center, 1861 Centerpoint Rd., 35215, (205) 853-3952
BIRMINGHAM - Frigid Appliance Center, 701 Graymont Ave. North, 35203, (205) 323-5831
DECATUR - Peddler II, 1308 Fairway Drive SE, 35601, (334) 792-7746
DOTHAN - Bill's Appliance Service, 208 Bic Rd., 36303, (334) 792-7746
DOUGLAS - Brown Hardware #4916, Highway 75, 35964, (256) 593-6086
HOMEWOOD - Frigid Appliance Center, 154 West Valley Ave. 35209, (205) 942-3959
MONTGOMERY - Acme Service Co., 2603 Highland Ave., 36107, (334) 264-2456
TROY - Specialty Batteries, 1317 South Brundidge St., 36081, (334) 670-6800, Toll Free: (800)-477-8230

ALASKA

ANCHORAGE - Ken's Electronics Service, 360 E. International, 99518, (907) 562-3443

ARIZONA

GLENDALE - Elliott Electric Appliance, 6242 N. 43rd Ave., 85301, (602) 937-2613
SCOTTSDALE - Elliott Electric Appliance, 7515 E. McDowell Road, 85257, (602) 946-7487
TUCSON - Arizona Small Appliance Service, 5033 E. 5th Street, 85711, (520) 325-3988

ARKANSAS

FT. SMITH - Bromley Appliance Service, 614 North 10th Street, 72901, (501) 782-9646
JONESBORO - Jonesboro Sewing & Vac, 1420 South Caraway Road, 72401, (870) 931-9600, (800) 530-7656
LITTLE ROCK - C & W Tool Repair, 1400 South Main St., 72202, (501) 374-1911
ROGERS - Kressels Vacuum & Repair, 115 North 5th St., 72756, (501) 636-7894
STUTTGART - Davis Lumber Company, 301 East Michigan, 72160, (870) 673-3601

CALIFORNIA

ANDERSON - Hardware Express #0572, Do It Best, 96007, (530) 365-3783
BAKERSFIELD - Southwest TV, 6300 White Lane, Suite B, 93309, (805) 397-4940
CONCORD - Ca. Electric Service Inc., 1170-G Burnett Ave., 94520, (925) 827-1011
COVINA - Ca. Electric Service Inc., 612 Shoppers Ln., 91723, (626) 915-4935
FORT JONES - Ft. Jones Frontier Hardware, 11911 Main Street, 96032, (916) 468-2266
FRESNO - Valley Small Appliance, 4005 E. Ashlan Ave., 93726, (209) 224-5530
FULLERTON - Ca. Electric Service Inc., 1208 E. Ash Avenue, 92831, (714) 870-0900
LOS ALAMITOS - Ca. Electric Service Inc., 11284 Los Alamitos Blvd., 90720, (562) 430-2668
MERCED - Moosehead Electronics, 920 W. 18th Street, 95340, (209) 723-4712
MISSION VIEJO - Ca. Electric Service Inc., 23725 Via Fabricante, 92691, (714) 586-9440
OAKLAND - Ca. Electric Service Inc., 2301 Broadway, 94612, (510) 834-1050
OXNARD - Tiny's / The Clean-up Store, 1237 Saviers Road, 93033, (805) 487-9401
PASADENA - Ca. Electric Service Inc., 2594 E. Colorado Blvd., 91107, (626) 792-3194
SACRAMENTO - Ca. Electric Service Inc., 1717 Bell Street, 95825, (916) 648-1604
SALINAS - SRS Hobbies, 1038A North Davis Road, 93907, (831) 424-4044, (800) 414-4547
SAN DIEGO - Ca. Electric Service Inc., 3440 El Cajon Blvd., 92104, (619) 283-6488
SAN FRANCISCO - Ca. Electric Service Inc., 3934 Geary Blvd., 94118, (415) 386-4500

SAN JOSE - Ca. Electric Service Inc., 481 South Bascom Ave., 95128, (408) 295-1722
SANTA ROSA - Hardisty's Inc., 710 Farmers Lane, 95405, (707) 545-0535
SKY FOREST - Sky Forest Electrical, 26870 Highway 18, 92385, (909) 337-0811
STOCKTON - California Electronics, 929 North Yosemite Street, 95203, (209) 466-5432
TEMECULA - Ca. Electric Service Inc., 41715 Enterprise Circle, 92590, (909) 695-5445
VAN NUYS - Ca. Electric Service Inc., 14753 Oxnard Blvd., 91411, (818) 997-8855
WEST LOS ANGELES - Ca. Electric Service Inc., 2314 S. Westwood Blvd., 90064, (310) 475-2532
YUCAIPA - Aire-Rite Heating & A/C, 34724 Yucaipa Blvd., 92399, (909) 797-2788

COLORADO

COLORADO SPRINGS - Nelson Appliance Repair, Inc., 1220 E. Fillmore, 80907, (719) 635-1928, (800) 291-8010
DENVER - Appliance Service, 4262 Lowell Blvd., 80211, (303) 458-1109
ENGLEWOOD - Appliance Service, 3932 S. Broadway, 80110, (303) 781-1227, (800) 553-1864
GRAND JUNCTION - V & L Appliance Service, 591 25 Road Suite A6, 81506, (970) 243-3360
PUEBLO - Direct Maytag Home Appliance Co., 1407 Santa Fe Drive, 81006, (719) 543-0777

CONNECTICUT

HAMDEN - New Haven Appliance, 1627 Dixwell Ave., 06514, (203) 288-6229
HARTFORD - Hartford Element & Appliance, 1500 Albany Avenue, 06112, (860) 246-7424, (800) 787-9777
SHELTON - Jeff's Appliance, Inc., 500 A Howe Avenue, 06484, (203) 924-8997
STAMFORD - Appliance Service of Stamford, 15 Cedar Heights Road, 06905, (203) 322-7656
WATERBURY - P.J. Appliance Repair, 935 South Main Street, 06706, (203) 757-1014

Authorized Service Centers

ALABAMA

BIRMINGHAM - Frigid Appliance Center, 1861 Centerpoint Rd., 35215, (205) 853-3952
BIRMINGHAM - Frigid Appliance Center, 701 Graymont Ave. North, 35203, (205) 323-5831
DECATUR - Peddler II, 1308 Fairway Drive SE, 35601, (205) 350-1044
DOTHAN - Bill's Appliance Service, 208 Bic Rd., 36303, (334) 792-7746
DOUGLAS - Brown Hardware #4916, Highway 75, 35964, (256) 593-6086
HOMEWOOD - Frigid Appliance Center, 154 West Valley Ave. 35209, (205) 942-3959
MONTGOMERY - Acme Service Co., 2603 Highland Ave., 36107, (334) 264-2456
TROY - Specialty Batteries, 1317 South Brundidge St., 36081, (334) 670-6800, Toll Free: (800)-477-8230

ALASKA

ANCHORAGE - Ken's Electronics Service, 360 E. International, 99518, (907) 562-3443

ARIZONA

GLENDALE - Elliott Electric Appliance, 6242 N. 43rd Ave., 85301, (602) 937-2613
SCOTTSDALE - Elliott Electric Appliance, 7515 E. McDowell Road, 85257, (602) 946-7487
TUCSON - Arizona Small Appliance Service, 5033 E. 5th Street, 85711, (520) 325-3988

ARKANSAS

FT. SMITH - Bromley Appliance Service, 614 North 10th Street, 72901, (501) 782-9646
JONESBORO - Jonesboro Sewing & Vac, 1420 South Caraway Road, 72401, (870) 931-9600, (800) 530-7656
LITTLE ROCK - C & W Tool Repair, 1400 South Main St., 72202, (501) 374-1911
ROGERS - Kressels Vacuum & Repair, 115 North 5th St., 72756, (501) 636-7894
STUTT GART - Davis Lumber Company, 301 East Michigan, 72160, (870) 673-3601

CALIFORNIA

ANDERSON - Hardware Express #0572, Do It Best, 96007, (530) 365-3783
BAKERSFIELD - Southwest TV, 6300 White Lane, Suite B, 93309, (805) 397-4940
CONCORD - Ca. Electric Service Inc., 1170-G Burnett Ave., 94520, (925) 827-1011
COVINA - Ca. Electric Service Inc., 612 Shoppers Ln., 91723, (626) 915-4935
FORT JONES - Ft. Jones Frontier Hardware, 11911 Main Street, 96032, (916) 468-2266
FRESNO - Valley Small Appliance, 4005 E. Ashlan Ave., 93726, (209) 224-5530
FULLERTON - Ca. Electric Service Inc., 1208 E. Ash Avenue, 92831, (714) 870-0900
LOS ALAMITOS - Ca. Electric Service Inc., 11284 Los Alamitos Blvd., 90720, (562) 430-2668
MERCED - Moosehead Electronics, 920 W. 18th Street, 95340, (209) 723-4712
MISSION VIEJO - Ca. Electric Service Inc., 23725 Via Fabricante, 92691, (714) 586-9440
OAKLAND - Ca. Electric Service Inc., 2301 Broadway, 94612, (510) 834-1050
OXNARD - Tiny's / The Clean-up Store, 1237 Saviers Road, 93033, (805) 487-9401
PASADENA - Ca. Electric Service Inc., 2594 E. Colorado Blvd., 91107, (626) 792-3194
SACRAMENTO - Ca. Electric Service Inc., 1717 Bell Street, 95825, (916) 648-1604
SALINAS - SRS Hobbies, 1038A North Davis Road, 93907, (831) 424-4044, (800) 414-4547
SAN DIEGO - Ca. Electric Service Inc., 3440 El Cajon Blvd., 92104, (619) 283-6488
SAN FRANCISCO - Ca. Electric Service Inc., 3934 Geary Blvd., 94118, (415) 386-4500

SAN JOSE - Ca. Electric Service Inc., 481 South Bascom Ave., 95128, (408) 295-1722
SANTA ROSA - Hardisty's Inc., 710 Farmers Lane, 95405, (707) 545-0535
SKY FOREST - Sky Forest Electrical, 26870 Highway 18, 92385, (909) 337-0811
STOCKTON - California Electronics, 929 North Yosemite Street, 95203, (209) 466-5432
TEMECULA - Ca. Electric Service Inc., 41715 Enterprise Circle, 92590, (909) 695-5445
VAN NUYS - Ca. Electric Service Inc., 14753 Oxnard Blvd., 91411, (818) 997-8855
WEST LOS ANGELES - Ca. Electric Service Inc., 2314 S. Westwood Blvd., 90064, (310) 475-2532
YUCAIPA - Aire-Rite Heating & A/C, 34724 Yucaipa Blvd., 92399, (909) 797-2788

COLORADO

COLORADO SPRINGS - Nelson Appliance Repair, Inc., 1220 E. Fillmore, 80907, (719) 635-1928, (800) 291-8010
DENVER - Appliance Service, 4262 Lowell Blvd., 80211, (303) 458-1109
ENGLEWOOD - Appliance Service, 3932 S. Broadway, 80110, (303) 781-1227, (800) 553-1864
GRAND JUNCTION - V & L Appliance Service, 591 25 Road Suite A6, 81506, (970) 243-3360
PUEBLO - Direct Maytag Home Appliance Co., 1407 Santa Fe Drive, 81006, (719) 543-0777

CONNECTICUT

HAMDEN - New Haven Appliance, 1627 Dixwell Ave., 06514, (203) 288-6229
HARTFORD - Hartford Element & Appliance, 1500 Albany Avenue, 06112, (860) 246-7424, (800) 787-7977
SHELTON - Jeff's Appliance, Inc., 500 A Howe Avenue, 06484, (203) 924-8997
STAMFORD - Appliance Service of Stamford, 15 Cedar Heights Road, 06905, (203) 322-7656
WATERBURY - P.J. Appliance Repair, 935 South Main Street, 06706, (203) 757-1014

DELAWARE

SELBYVILLE - Ahern & Son, Inc., #2 S. Dupont Hwy Rt. 2, 19975, (302) 436-4100
WILMINGTON - Lyons Hardware Do-It Center, 2021 Kirkwood Highway, 19805, (302) 995-1260

DF

MEXICO - S.E.G.E.S.A., Calz De Tlalpan 1172-A, CP3540

FLORIDA

ATLANTIC BEACH - First Coast Repair, 25 Seminole Road, 32233, (904) 246-4616
CAPE CORAL - Family Hardware #0827 Do-It Express, 33904, (941) 542-6365
DELRAY BEACH - Mister Fixit, 209 S.E. 2nd Avenue, 33483, (561) 243-9999
GAINESVILLE - Authorized Appliance Service, 2614 South West 34th Street, 32608, (352) 375-3886
HIALEAH - S-O Service Company, 925 Hialeah Drive, 33010, (305) 887-6275
HOLLY HILL - Ormond Element, 1668 Ridgewood Avenue, 32117, (904) 677-3497
JACKSONVILLE - Authorized Appliance, 6120-5 Powers Avenue, 32217, (904) 737-5312
LAKELAND - Electric Shaver & Small Appliance, 4243 S. Florida Avenue, 33813, (941) 644-4690
MIAMI - Goodman's Sales & Service, 13081 SW 133 Court, 33186, (305) 278-8822
NORTH PALM BEACH - Appliance Doctors II, 450 Northlake Blvd., 33408, (561) 845-0377
OCALA - Vacuum Center & Gifts, 2012 South Pine Avenue, 34474 (352) 732-6335
ORLANDO - Pine Hills Appliance Svc. Co., 6100-4 W. Colonial Drive, 32808, (407) 299-1271
ORLANDO - Southern Electric Co., 510 N. Parramore Avenue, 32801, (407) 841-8824, (800) 940-8824
PANAMA CITY - Callaway Vacuum & Sewing, 221 N. Tyndall Parkway, 32404, (850) 763-7443
PENSACOLA - Foster's Appliance Repair, 3836 N. Davis Highway, 32503, (850) 432-8853

POMPANO BEACH - Authorized Appliance, 2171 North Dixie Highway, 33060, (954) 941-2038
PORT ST. LUCIE - Hoppe's Authorized Vac & Appliance, 6735 South Federal Hwy, 34952, (561) 464-0102
SARASOTA - Sunray Small Appliance, 8371 N. Tamiami, Tr US-41, 34243, (941) 358-9999, (800) 895-5655
SEBRING - Ace Hardware of Sebring, 305 US 27 North, 33870, (941) 385-2785
SPRING HILL - Ace Hardware #5304F, 5350 Spring Hill Drive, 34606, (352) 686-4743
ST. PETERSBURG - Keystone Electric, 4604 Central Avenue, 33711, (813) 321-1124
STUART - Appliance Doctors, 3166 S.E. Dixie Highway, 34997, (561) 287-6437
SUNRISE - Muller Appliance Service, 2116 N. University Drive, 33322, (954) 749-5460
TAMPA - Authorized Appliance Service Co., Dibbs Plaza, 33624, (813) 968-6638
VERO BEACH - Hoppe's Authorized Vac & Appliance, 1872 Commerce Avenue, 32960, (561) 562-4466
WEST PALM BEACH - Satisfaction TV Video, 1980 S. Congress Avenue, 33406, (561) 439-3733, (800) 477-3734

GEORGIA

ATLANTA - Georgia Service Center, 5366 Buford Highway, 30340, (770) 455-1716, (800) 455-1715
AUGUSTA - A & A Appliance Parts & Service, 1708 Walton Way, 30904, (706) 733-5163
BRUNSWICK - Arco Hardware & Supply, 3711 Community Road, 31520, (912) 267-0771
COLUMBUS - Burrell's National Appliance Service, 1728 Warm Springs Road, 31904, (706) 327-0523
GAINESVILLE - Bike Town USA, 1604 Dawsonville Hwy., 30501, (770) 532-7090
LOGANVILLE - Mtn. Mower Sales and Service, 380-A Hwy. 78, 30249, (770) 466-9111
MARIETTA - Philips Consumer Electronics, 200 N. Cobb Parkway, 30062, (770) 795-0085
SAVANNAH - Hagins Appliance Service, 3 West Victory Drive, 31405, (912) 233-8372
TIFTON - Western Auto, 354 South Main Street, 31794, (912) 382-5767
VALDOSTA - Harry B. Anderson, Inc. Western Auto, 31601, (912) 242-5945
WOODSTOCK - All City Appliance Inc., 8477 Hwy 92 Suite 110, 30189, (770) 924-2375

HAWAII

HONOLULU - McCully Bicycle & Sporting Goods, 932 Hausten Street, 96826, (808) 946-1192
WAILUKU - Tom's Appliance Sales & Service, 1816 Mill Street Suite 104, 96793, (808) 244-6278
WAIPAHU - Waipahu Bicycle, 94-320 Depot Street, 96797, (808) 671-4091

IDAHO

BOISE - Boise Appliance, 1503 Main Street, 83702, (208) 343-0102

ILLINOIS

CHAMPAIGN - Appliance Parts & Service, 905 Francis, 61821, (217) 355-0220
DECATUR - Rexx Battery of Decatur, 1330 E. Eldorado Street, 62521, (217) 422-0281
DOWNER'S GROVE - Authorized Appl. Svc. Co., 1644 W. Ogden Ave., 60515, (630) 852-1550, (800) 829-1798
JACKSONVILLE - Rexx Battery Specialists, 847 South Main Street, 62650, (217) 245-2713
LINCOLN - Rexx Battery Specialists, 504 Keokuk, 62656, (217) 732-2885
MORTON GROVE - Brand Parts & Repair Center, 5618 Dempster Street, 60053, (847) 965-5900
MT. VERNON - Battery Specialists, 1018 South 10th, 62864, (618) 244-0091
NASHVILLE - Kesel Hardware #5399, 173 West St. Louis, 62263, (618) 327-8957
NILES - Household Appl Sales & Service, 7411 N. Milwaukee Ave., 60714, (847) 647-8250, (800) 572-6826
PEORIA - Rexx Battery Specialists, 3033 North University, 61604, (309) 687-3564
ROCKFORD - Sun Appliance Sales & Service, 3112 N.

Authorized Service Centers

ALABAMA

BIRMINGHAM - Frigid Appliance Center, 1861 Centerpoint Rd., 35215, (205) 853-3952
BIRMINGHAM - Frigid Appliance Center, 701 Graymont Ave. North, 35203, (205) 323-5831
DECATUR - Peddler II, 1308 Fairway Drive SE, 35601, (205) 350-1044
DOTHAN - Bill's Appliance Service, 208 Bic Rd., 36303, (334) 792-7746
DOUGLAS - Brown Hardware #4916, Highway 75, 35964, (256) 593-6086
HOMEWOOD - Frigid Appliance Center, 154 West Valley Ave. 35209, (205) 942-3959
MONTGOMERY - Acme Service Co., 2603 Highland Ave., 36107, (334) 264-2456
TROY - Specialty Batteries, 1317 South Brundidge St., 36081, (334) 670-6800, Toll Free: (800)-477-8230

ALASKA

ANCHORAGE - Ken's Electronics Service, 360 E. International, 99518, (907) 562-3443

ARIZONA

GLENDALE - Elliott Electric Appliance, 6242 N. 43rd Ave., 85301, (602) 937-2613
SCOTTSDALE - Elliott Electric Appliance, 7515 E. McDowell Road, 85257, (602) 946-7487
TUCSON - Arizona Small Appliance Service, 5033 E. 5th Street, 85711, (520) 325-3988

ARKANSAS

FT. SMITH - Bromley Appliance Service, 614 North 10th Street, 72901, (501) 782-9646
JONESBORO - Jonesboro Sewing & Vac, 1420 South Caraway Road, 72401, (870) 931-9600, (800) 530-7656
LITTLE ROCK - C & W Tool Repair, 1400 South Main St., 72202, (501) 374-1911
ROGERS - Kressels Vacuum & Repair, 115 North 5th St., 72756, (501) 636-7894
STUTTGART - Davis Lumber Company, 301 East Michigan, 72160, (870) 673-3601

CALIFORNIA

ANDERSON - Hardware Express #0572, Do It Best, 96007, (530) 365-3783
BAKERSFIELD - Southwest TV, 6300 White Lane, Suite B, 93309, (805) 397-4940
CONCORD - Ca. Electric Service Inc., 1170-G Burnett Ave., 94520, (925) 827-1011
COVINA - Ca. Electric Service Inc., 612 Shoppers Ln., 91723, (626) 915-4935
FORT JONES - Ft. Jones Frontier Hardware, 11911 Main Street, 96032, (916) 468-2266
FRESNO - Valley Small Appliance, 4005 E. Ashlan Ave., 93726, (209) 224-5530
FULLERTON - Ca. Electric Service Inc., 1208 E. Ash Avenue, 92831, (714) 870-0900
LOS ALAMITOS - Ca. Electric Service Inc., 11284 Los Alamitos Blvd., 90720, (562) 430-2668
MERCED - Moosehead Electronics, 920 W. 18th Street, 95340, (209) 723-4712
MISSION VIEJO - Ca. Electric Service Inc., 23725 Via Fabricante, 92691, (714) 586-9440
OAKLAND - Ca. Electric Service Inc., 2301 Broadway, 94612, (510) 834-1050
OXNARD - Tiny's / The Clean-up Store, 1237 Saviers Road, 93033, (805) 487-9401
PASADENA - Ca. Electric Service Inc., 2594 E. Colorado Blvd., 91107, (626) 792-3194
SACRAMENTO - Ca. Electric Service Inc., 1717 Bell Street, 95825, (916) 648-1604
SALINAS - SRS Hobbies, 1038A North Davis Road, 93907, (831) 424-4044, (800) 414-4547
SAN DIEGO - Ca. Electric Service Inc., 3440 El Cajon Blvd., 92104, (619) 283-6488
SAN FRANCISCO - Ca. Electric Service Inc., 3934 Geary Blvd., 94118, (415) 386-4500

SAN JOSE - Ca. Electric Service Inc., 481 South Bascom Ave., 95128, (408) 295-1722
SANTA ROSA - Hardisty's Inc., 710 Farmers Lane, 95405, (707) 545-0535
SKY FOREST - Sky Forest Electrical, 26870 Highway 18, 92385, (909) 337-0811
STOCKTON - California Electronics, 929 North Yosemite Street, 95203, (209) 466-5432
TEMECULA - Ca. Electric Service Inc., 41715 Enterprise Circle, 92590, (909) 695-5445
VAN NUYS - Ca. Electric Service Inc., 14753 Oxnard Blvd., 91411, (818) 997-8855
WEST LOS ANGELES - Ca. Electric Service Inc., 2314 S. Westwood Blvd., 90064, (310) 475-2532
YUCAIPA - Aire-Rite Heating & A/C, 34724 Yucaipa Blvd., 92399, (909) 797-2788

COLORADO

COLORADO SPRINGS - Nelson Appliance Repair, Inc., 1220 E. Fillmore, 80907, (719) 635-1928, (800) 291-8010
DENVER - Appliance Service, 4262 Lowell Blvd., 80211, (303) 458-1109
ENGLEWOOD - Appliance Service, 3932 S. Broadway, 80110, (303) 781-1227, (800) 553-1864
GRAND JUNCTION - V & L Appliance Service, 591 25 Road Suite A6, 81506, (970) 243-3360
PUEBLO - Direct Maytag Home Appliance Co., 1407 Santa Fe Drive, 81006, (719) 543-0777

CONNECTICUT

HAMDEN - New Haven Appliance, 1627 Dixwell Ave., 06514, (203) 288-6229
HARTFORD - Hartford Element & Appliance, 1500 Albany Avenue, 06112, (860) 246-7424, (800) 787-7977
SHELTON - Jeff's Appliance, Inc., 500 A Howe Avenue, 06484, (203) 924-8997
STAMFORD - Appliance Service of Stamford, 15 Cedar Heights Road, 06905, (203) 322-7656
WATERBURY - P.J. Appliance Repair, 935 South Main Street, 06706, (203) 757-1014

DELAWARE

SELBYVILLE - Ahern & Son, Inc., #2 S. Dupont Hwy Rt. 2, 19975, (302) 436-4100
WILMINGTON - Lyons Hardware Do-It Center, 2021 Kirkwood Highway, 19805, (302) 995-1260

DF

MEXICO - S.E.G.E.S.A., Calz De Tlalpan 1172-A, CP3540

FLORIDA

ATLANTIC BEACH - First Coast Repair, 25 Seminole Road, 32233, (904) 246-4616
CAPE CORAL - Family Hardware #0827 Do-It Express, 33904, (941) 542-6365
DELRAY BEACH - Mister FixIt, 209 S.E. 2nd Avenue, 33483, (561) 243-9999
GAINESVILLE - Authorized Appliance Service, 2614 South West 34th Street, 32608, (352) 375-3886
HIALEAH - S-O Service Company, 925 Hialeah Drive, 33010, (305) 887-6275
HOLLY HILL - Ormond Element, 1668 Ridgewood Avenue, 32117, (904) 677-3497
JACKSONVILLE - Authorized Appliance, 6120-5 Powers Avenue, 32217, (904) 737-5312
LAKELAND - Electric Shaver & Small Appliance, 4243 S. Florida Avenue, 33813, (941) 644-4690
MIAMI - Goodman's Sales & Service, 13081 SW 133 Court, 33186, (305) 278-8822
NORTH PALM BEACH - Appliance Doctors II, 450 Northlake Blvd., 33408, (561) 845-0377,
OCALA - Vacuum Center & Gifts, 2012 South Pine Avenue, 34474 (352) 732-6335
ORLANDO - Pine Hills Appliance Svc. Co., 6100-4 W. Colonial Drive, 32808, (407) 299-1271
ORLANDO - Southern Electric Co., 510 N. Parramore Avenue, 32801, (407) 841-8824, (800) 940-8824
PANAMA CITY, Callaway Vacuum & Sewing, 221 N.

Tyndall Parkway, 32404, (850) 763-7443
PENSACOLA - Foster's Appliance Repair, 3836 N. Davis Highway, 32503, (850) 432-8853
POMPANO BEACH - Authorized Appliance, 2171 North Dixie Highway, 33060, (954) 941-2038
PORT ST. LUCIE - Hoppe's Authorized Vac & Appliance, 6735 South Federal Hwy, 34952, (561) 464-0102
SARASOTA - Sunray Small Appliance, 8371 N. Tamiami, Tr US-41, 34243, (941) 358-9999, (800) 895-5655
SEBRING - Ace Hardware of Sebring, 305 US 27 North, 33870, (941) 385-2785
SPRING HILL - Ace Hardware #5304F, 5350 Spring Hill Drive, 34606, (352) 686-4743
ST. PETERSBURG - Keystone Electric, 4604 Central Avenue, 33711, (813) 321-1124
STUART - Appliance Doctors, 3166 S.E. Dixie Highway, 34997, (561) 287-6437
SUNRISE - Muller Appliance Service, 2116 N. University Drive, 33322, (954) 749-5460
TAMPA - Authorized Appliance Service Co., Dibbs Plaza, 33624, (813) 968-6638
VERO BEACH - Hoppe's Authorized Vac & Appliance, 1872 Commerce Avenue, 32960, (561) 562-4466
WEST PALM BEACH - Satisfaction TV Video, 1980 S. Congress Avenue, 33406, (561) 439-3733, (800) 477-3734

GEORGIA

ATLANTA - Georgia Service Center, 5366 Buford Highway, 30340, (770) 455-1716, (800) 455-1715
AUGUSTA - A & A Appliance Parts & Service, 1708 Walton Way, 30904, (706) 733-5163
BRUNSWICK - Arco Hardware & Supply, 3711 Community Road, 31520, (912) 267-0771
COLUMBUS - Burrell's National Appliance Service, 1728 Warm Springs Road, 31904, (706) 327-0523
GAINESVILLE - Bike Town USA, 1604 Dawsonville Hwy., 30501, (770) 532-7090
LOGANVILLE - Mtn. Mower Sales and Service, 380-A Hwy. 78, 30249, (770) 466-9111
MARIETTA - Philips Consumer Electronics, 200 N. Cobb Parkway, 30062, (770) 795-0085
SAVANNAH - Hagins Appliance Service, 3 West Victory Drive, 31405, (912) 233-8372
TIFTON - Western Auto, 354 South Main Street, 31794, (912) 382-5767
VALDOSTA - Harry B. Anderson, Inc. Western Auto, 31601, (912) 242-5945
WOODSTOCK - All City Appliance Inc., 8477 Hwy 92 Suite 110, 30189, (770) 924-2375

HAWAII

HONOLULU - McCully Bicycle & Sporting Goods, 932 Hausten Street, 96826, (808) 946-1192
WAILUKU - Tom's Appliance Sales & Service, 1816 Mill Street Suite 104, 96793, (808) 244-6278
WAIPAHU - Waipahu Bicycle, 94-320 Depot Street, 96797, (808) 671-4091

IDAHO

BOISE - Boise Appliance, 1503 Main Street, 83702, (208) 343-0102

ILLINOIS

CHAMPAIGN - Appliance Parts & Service, 905 Francis, 61821, (217) 355-0220
DECATUR - Rexx Battery of Decatur, 1330 E. Eldorado Street, 62521, (217) 422-0281
DOWNER'S GROVE - Authorized Appl. Svc. Co., 1644 W. Ogden Ave., 60515, (630) 852-1550, (800) 829-1798
JACKSONVILLE - Rexx Battery Specialists, 847 South Main Street, 62650, (217) 245-2713
LINCOLN - Rexx Battery Specialists, 504 Keokuk, 62656, (217) 732-2885
MORTON GROVE - Brand Parts & Repair Center, 5618 Dempster Street, 60053, (847) 965-5900
MT. VERNON - Battery Specialists, 1018 South 10th, 62864, (618) 244-0091
NASHVILLE - Kesel Hardware #5399, 173 West St. Louis, 62263, (618) 327-8957

Authorized Service Centers

ALABAMA

BIRMINGHAM - Frigid Appliance Center, 1861 Centerpoint Rd., 35215, (205) 853-3952
BIRMINGHAM - Frigid Appliance Center, 701 Graymont Ave. North, 35203, (205) 323-5831
DECATUR - Peddler II, 1308 Fairway Drive SE, 35601, (205) 350-1044
DOTHAN - Bill's Appliance Service, 208 Bic Rd., 36303, (334) 792-7746
DOUGLAS - Brown Hardware #4916, Highway 75, 35964, (256) 593-6086
HOMEWOOD - Frigid Appliance Center, 154 West Valley Ave. 35209, (205) 942-3959
MONTGOMERY - Acme Service Co., 2603 Highland Ave., 36107, (334) 264-2456
TROY - Specialty Batteries, 1317 South Brundidge St., 36081, (334) 670-6800, Toll Free: (800)-477-8230

ALASKA

ANCHORAGE - Ken's Electronics Service, 360 E. International, 99518, (907) 562-3443

ARIZONA

GLENDALE - Elliott Electric Appliance, 6242 N. 43rd Ave., 85301, (602) 937-2613
SCOTTSDALE - Elliott Electric Appliance, 7515 E. McDowell Road, 85257, (602) 946-7487
TUCSON - Arizona Small Appliance Service, 5033 E. 5th Street, 85711, (520) 325-3988

ARKANSAS

FT. SMITH - Bromley Appliance Service, 614 North 10th Street, 72901, (501) 782-9646
JONESBORO - Jonesboro Sewing & Vac, 1420 South Caraway Road, 72401, (870) 931-9600, (800) 530-7656
LITTLE ROCK - C & W Tool Repair, 1400 South Main St., 72202, (501) 374-1911
ROGERS - Kressels Vacuum & Repair, 115 North 5th St., 72756, (501) 636-7894
STUTTGART - Davis Lumber Company, 301 East Michigan, 72160, (870) 673-3601

CALIFORNIA

ANDERSON - Hardware Express #0572, Do It Best, 96007, (530) 365-3783
BAKERSFIELD - Southwest TV, 6300 White Lane, Suite B, 93309, (805) 397-4940
CONCORD - Ca. Electric Service Inc., 1170-G Burnett Ave., 94520, (925) 827-1011
COVINA - Ca. Electric Service Inc., 612 Shoppers Ln., 91723, (626) 915-4935
FORT JONES - Ft. Jones Frontier Hardware, 11911 Main Street, 96032, (916) 468-2266
FRESNO - Valley Small Appliance, 4005 E. Ashlan Ave., 93726, (209) 224-5530
FULLERTON - Ca. Electric Service Inc., 1208 E. Ash Avenue, 92831, (714) 870-0900
LOS ALAMITOS - Ca. Electric Service Inc., 11284 Los Alamitos Blvd., 90720, (562) 430-2668
MERCED - Moosehead Electronics, 920 W. 18th Street, 95340, (209) 723-4712
MISSION VIEJO - Ca. Electric Service Inc., 23725 Via Fabricante, 92691, (714) 586-9440
OAKLAND - Ca. Electric Service Inc., 2301 Broadway, 94612, (510) 834-1050
OXNARD - Tiny's / The Clean-up Store, 1237 Saviers Road, 93033, (805) 487-9401
PASADENA - Ca. Electric Service Inc., 2594 E. Colorado Blvd., 91107, (626) 792-3194
SACRAMENTO - Ca. Electric Service Inc., 1717 Bell Street, 95825, (916) 648-1604
SALINAS - SRS Hobbies, 1038A North Davis Road, 93907, (831) 424-4044, (800) 414-4547
SAN DIEGO - Ca. Electric Service Inc., 3440 El Cajon Blvd., 92104, (619) 283-6488
SAN FRANCISCO - Ca. Electric Service Inc., 3934 Geary Blvd., 94118, (415) 386-4500

SAN JOSE - Ca. Electric Service Inc., 481 South Bascom Ave., 95128, (408) 295-1722
SANTA ROSA - Hardisty's Inc., 710 Farmers Lane, 95405, (707) 545-0535
SKY FOREST - Sky Forest Electrical, 26870 Highway 18, 92385, (909) 337-0811
STOCKTON - California Electronics, 929 North Yosemite Street, 95203, (209) 466-5432
TEMECULA - Ca. Electric Service Inc., 41715 Enterprise Circle, 92590, (909) 695-5445
VAN NUYS - Ca. Electric Service Inc., 14753 Oxnard Blvd., 91411, (818) 997-8855
WEST LOS ANGELES - Ca. Electric Service Inc., 2314 S. Westwood Blvd., 90064, (310) 475-2532
YUCAIPA - Aire-Rite Heating & A/C, 34724 Yucaipa Blvd., 92399, (909) 797-2788

COLORADO

COLORADO SPRINGS - Nelson Appliance Repair, Inc., 1220 E. Fillmore, 80907, (719) 635-1928, (800) 291-8010
DENVER - Appliance Service, 4262 Lowell Blvd., 80211, (303) 458-1109
ENGLEWOOD - Appliance Service, 3932 S. Broadway, 80110, (303) 781-1227, (800) 553-1864
GRAND JUNCTION - V & L Appliance Service, 591 25 Road Suite A6, 81506, (970) 243-3360
PUEBLO - Direct Maytag Home Appliance Co., 1407 Santa Fe Drive, 81006, (719) 543-0777

CONNECTICUT

HAMDEN - New Haven Appliance, 1627 Dixwell Ave., 06514, (203) 288-6229
HARTFORD - Hartford Element & Appliance, 1500 Albany Avenue, 06112, (860) 246-7424, (800) 787-7977
SHELTON - Jeff's Appliance, Inc., 500 A Howe Avenue, 06484, (203) 924-8997
STAMFORD - Appliance Service of Stamford, 15 Cedar Heights Road, 06905, (203) 322-7656
WATERBURY - P.J. Appliance Repair, 935 South Main Street, 06706, (203) 757-1014

DELAWARE

SELBYVILLE - Ahern & Son, Inc., #2 S. Dupont Hwy Rt. 2, 19975, (302) 436-4100
WILMINGTON - Lyons Hardware Do-It Center, 2021 Kirkwood Highway, 19805, (302) 995-1260

DF

MEXICO - S.E.G.E.S.A., Calz De Tlalpan 1172-A, CP3540

FLORIDA

ATLANTIC BEACH - First Coast Repair, 25 Seminole Road, 32233, (904) 246-4616
CAPE CORAL - Family Hardware #0827 Do-It Express, 33904, (941) 542-6365
DELRAY BEACH - Mister Fixit, 209 S.E. 2nd Avenue, 33483, (561) 243-9999
GAINESVILLE - Authorized Appliance Service, 2614 South West 34th Street, 32608, (352) 375-3886
HIALEAH - S-O Service Company, 925 Hialeah Drive, 33010, (305) 887-6275
HOLLY HILL - Ormond Element, 1668 Ridgewood Avenue, 32117, (904) 677-3497
JACKSONVILLE - Authorized Appliance, 6120-5 Powers Avenue, 32217, (904) 737-5312
LAKELAND - Electric Shaver & Small Appliance, 4243 S. Florida Avenue, 33813, (941) 644-4690
MIAMI - Goodman's Sales & Service, 13081 SW 133 Court, 33186, (305) 278-8822
NORTH PALM BEACH - Appliance Doctors II, 450 Northlake Blvd., 33408, (561) 845-0377
OCALA - Vacuum Center & Gifts, 2012 South Pine Avenue, 34474, (352) 732-6335
ORLANDO - Pine Hills Appliance Svc. Co., 6100-4 W. Colonial Drive, 32808, (407) 299-1271
ORLANDO - Southern Electric Co., 510 N. Parramore Avenue, 32801, (407) 841-8824, (800) 940-8824
PANAMA CITY - Callaway Vacuum & Sewing, 221 N. Tynhall Parkway, 32404, (850) 763-7443
PENSACOLA - Foster's Appliance Repair, 3836 N. Davis Highway, 32503, (850) 432-8853

POMPAHO BEACH - Authorized Appliance, 2171 North Dixie Highway, 33060, (954) 941-2038
PORT ST. LUCIE - Hoppe's Authorized Vac & Appliance, 6735 South Federal Hwy, 34952, (561) 464-0102
SARASOTA - Sunray Small Appliance, 8371 N. Tamiami, Tr US-41, 34243, (941) 358-9999, (800) 895-5655
SEBRING - Ace Hardware of Sebring, 305 US 27 North, 33870, (941) 385-2785
SPRING HILL - Ace Hardware #5304F, 5350 Spring Hill Drive, 34606, (352) 686-4743
ST. PETERSBURG - Keystone Electric, 4604 Central Avenue, 33711, (813) 321-1124
STUART - Appliance Doctors, 3166 S.E. Dixie Highway, 34997, (561) 287-6437
SUNRISE - Muller Appliance Service, 2116 N. University Drive, 33322, (954) 749-5460
TAMPA - Authorized Appliance Service Co., Dibbs Plaza, 33624, (813) 968-6638
VERO BEACH - Hoppe's Authorized Vac & Appliance, 1872 Commerce Avenue, 32960, (561) 562-4466
WEST PALM BEACH - Satisfaction TV Video, 1980 S. Congress Avenue, 33406, (561) 439-3733, (800) 477-3734

GEORGIA

ATLANTA - Georgia Service Center, 5366 Buford Highway, 30340, (770) 455-1716, (800) 455-1715
AUGUSTA - A & A Appliance Parts & Service, 1708 Walton Way, 30904, (706) 733-5163
BRUNSWICK - Arco Hardware & Supply, 3711 Community Road, 31520, (912) 267-0771
COLUMBUS - Burrell's National Appliance Service, 1728 Warm Springs Road, 31904, (706) 327-0523
GAINESVILLE - Bike Town USA, 1604 Dawsonville Hwy., 30501, (770) 532-7090
LOGANVILLE - Mtn. Mower Sales and Service, 380-A Hwy. 78, 30249, (770) 466-9111
MARIETTA - Philips Consumer Electronics, 200 N. Cobb Parkway, 30062, (770) 795-0085
SAVANNAH - Hagins Appliance Service, 3 West Victory Drive, 31405, (912) 233-8372
TIFTON - Western Auto, 354 South Main Street, 31794, (912) 382-5767
VALDOSTA - Harry B. Anderson, Inc. Western Auto, 31601, (912) 242-5945
WOODSTOCK - All City Appliance Inc., 8477 Hwy 92 Suite 110, 30189, (770) 924-2375

HAWAII

HONOLULU - McCully Bicycle & Sporting Goods, 932 Hausten Street, 96826, (808) 946-1192
WAILUKU - Tom's Appliance Sales & Service, 1816 Mill Street Suite 104, 96793, (808) 244-6278
WAIPAHU - Waipahu Bicycle, 94-320 Depot Street, 96797, (808) 671-4091

IDAHO

BOISE - Boise Appliance, 1503 Main Street, 83702, (208) 343-0102

ILLINOIS

CHAMPAIGN - Appliance Parts & Service, 905 Francis, 61821, (217) 355-0220
DECATUR - Rexx Battery of Decatur, 1330 E. Eldorado Street, 62521, (217) 422-0281
DOWNER'S GROVE - Authorized Appl. Svc. Co., 1644 W. Ogden Ave., 60515, (630) 852-1550, (800) 829-1798
JACKSONVILLE - Rexx Battery Specialists, 847 South Main Street, 62650, (217) 245-2713
LINCOLN - Rexx Battery Specialists, 504 Keokuk, 62656, (217) 732-2885
MORTON GROVE - Brand Parts & Repair Center, 5618 Dempster Street, 60053, (847) 965-5900
MT. VERNON - Battery Specialists, 1018 South 10th, 62864, (618) 244-0091
NASHVILLE - Kesel Hardware #5399, 173 West St. Louis, 62263, (618) 327-8957
NILES - Household Appl Sales & Service, 7411 N. Milwaukee Ave., 60714, (847) 647-8250, (800) 572-6826
PEORIA - Rexx Battery Specialists, 3033 North University, 61604, (309) 687-3564
ROCKFORD - Sun Appliance Sales & Service, 3112 N.



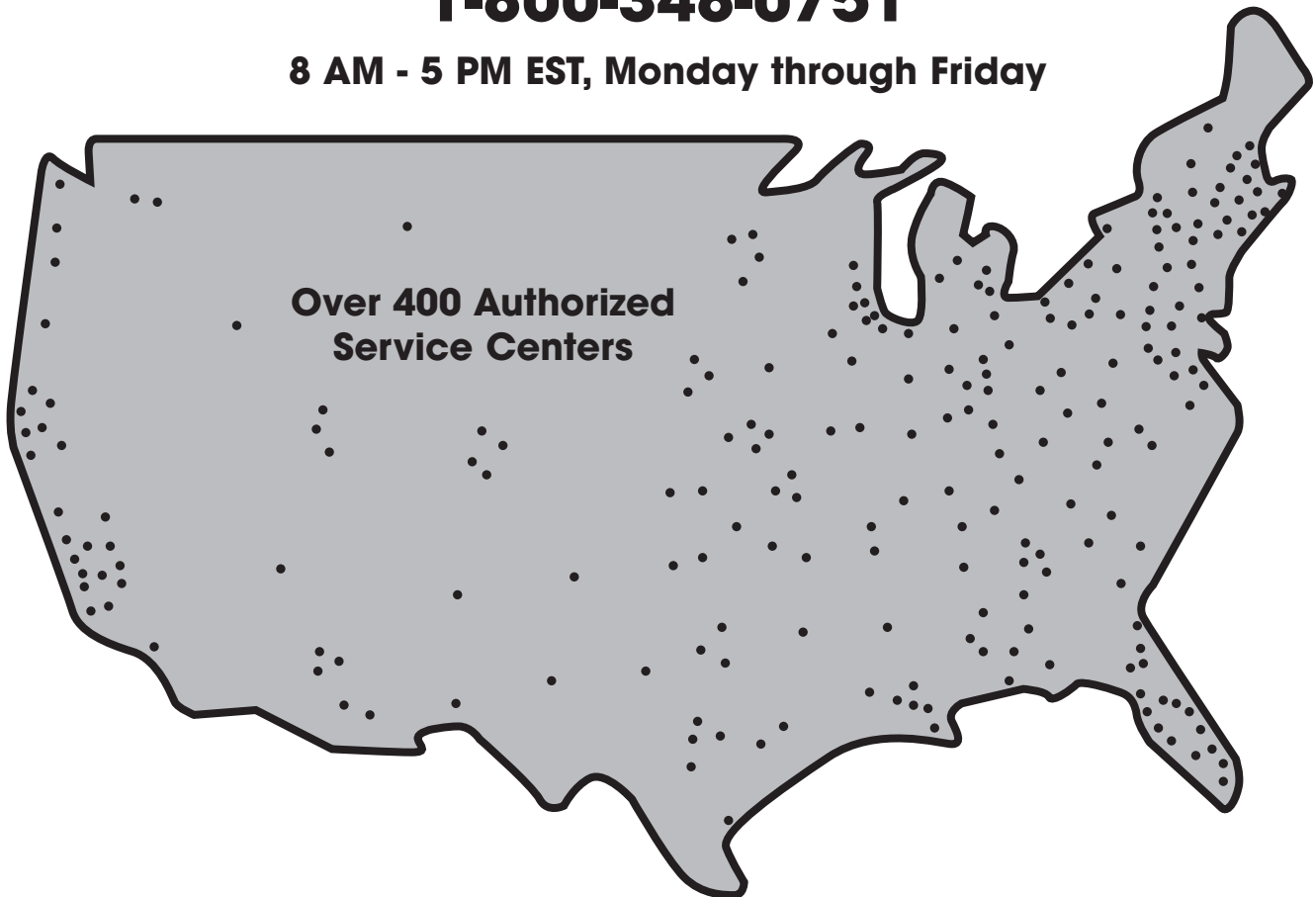
Do Not Return Your Vehicle to the Store

If you are missing parts or need assistance, please call us toll-free:

Power Wheels Consumer Affairs

1-800-348-0751

8 AM - 5 PM EST, Monday through Friday



**Over 400 Authorized
Service Centers**

Or contact your local Power Wheels® Authorized Service Center.

For the location nearest you, refer to the
Authorized Service Center list in this manual.

Bosch trademark used under license from Robert Bosch Corporation.
Edelbrock trademark used under license from Edelbrock Corporation.
Champion Trademark used under license from Champion Spark Plug Company.

Fisher-Price, Inc., a subsidiary of Mattel, Inc., East Aurora, New York 14052 U.S.A.

Printed in the U.S.A.

©1999 Mattel, Inc. All Rights Reserved

Fisher-Price and Power Wheels are U.S. trademarks of Mattel, Inc.