



Talking Chef Magic Kitchen

Model Number: 74839



Please save these instructions for future reference.
Adult assembly is required.
Requires three "C" (LR14) alkaline batteries (not included).
Tool required for assembly: Phillips screwdriver (not included).

Parts

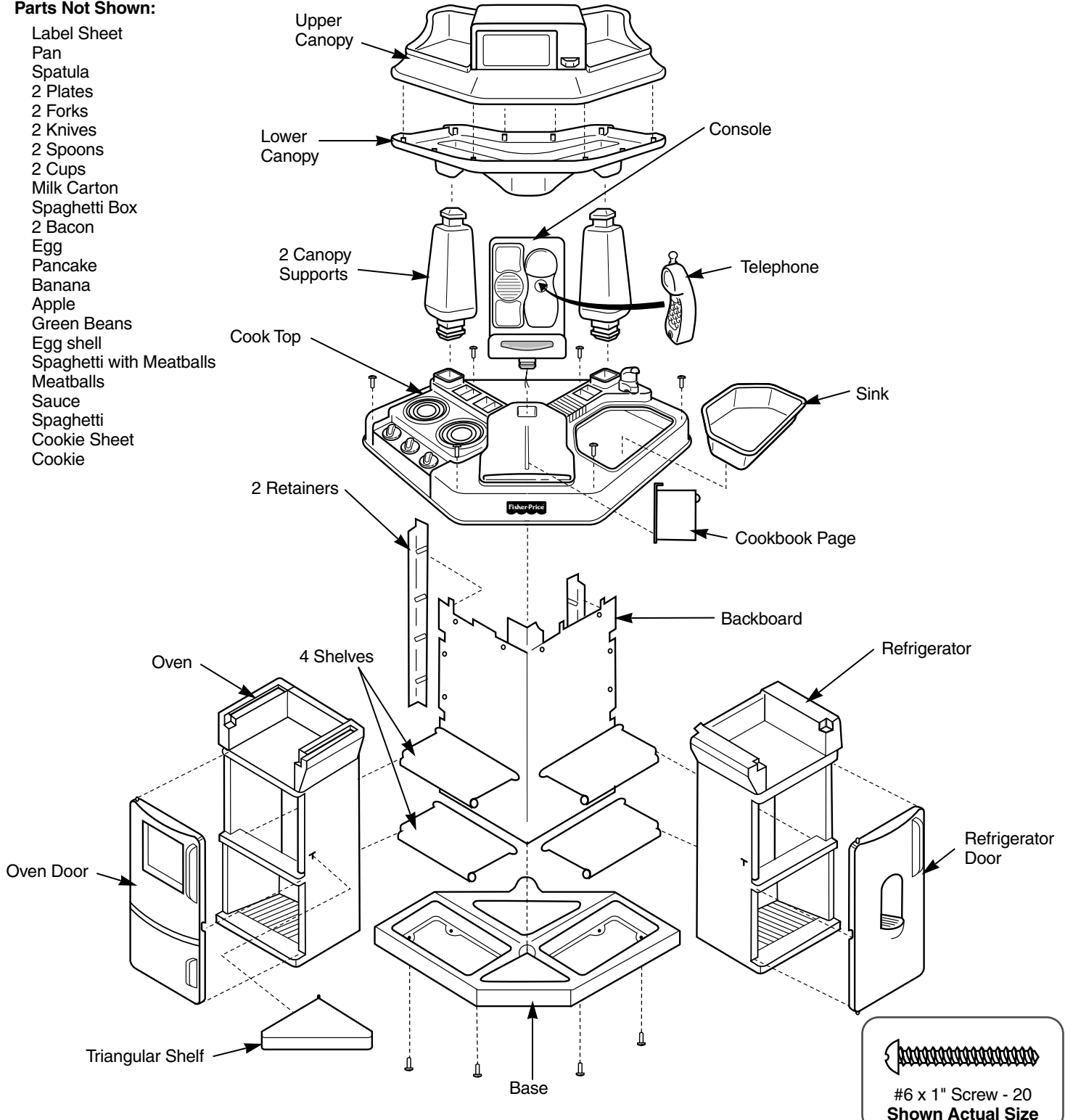
⚠ CAUTION

This package contains small parts in its unassembled state. Adult assembly is required.

- Before assembly, wipe each plastic part with a damp cloth to remove any debris.
- Save all packaging material until assembly is complete to ensure that parts are not discarded.

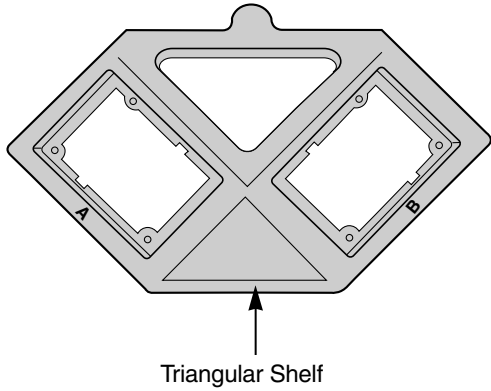
Parts Not Shown:

- Label Sheet
- Pan
- Spatula
- 2 Plates
- 2 Forks
- 2 Knives
- 2 Spoons
- 2 Cups
- Milk Carton
- Spaghetti Box
- 2 Bacon
- Egg
- Pancake
- Banana
- Apple
- Green Beans
- Egg shell
- Spaghetti with Meatballs
- Meatballs
- Sauce
- Spaghetti
- Cookie Sheet
- Cookie



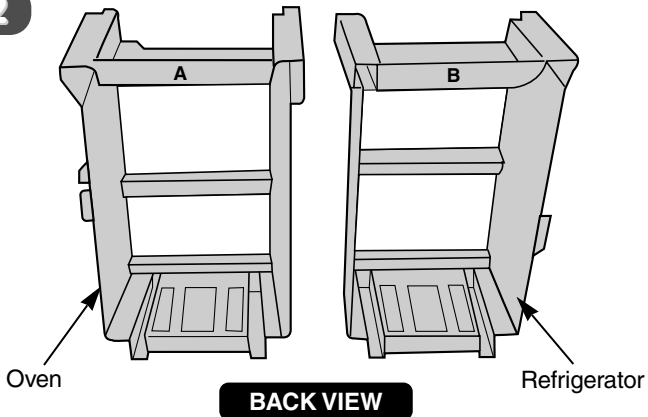
Assembly

1



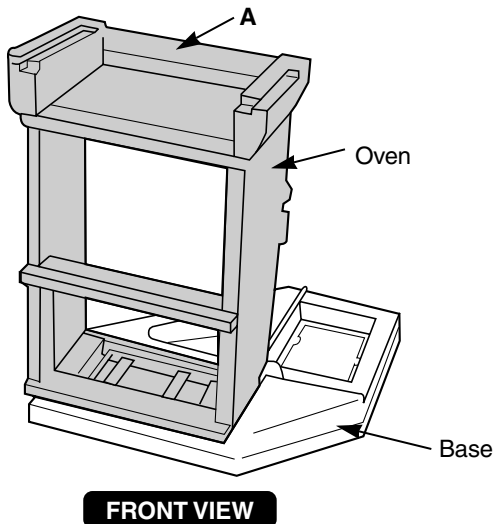
- Place the base on a flat surface so that the triangular shelf faces you.
- Locate the A and B marking next to each rectangular opening on the base.

2



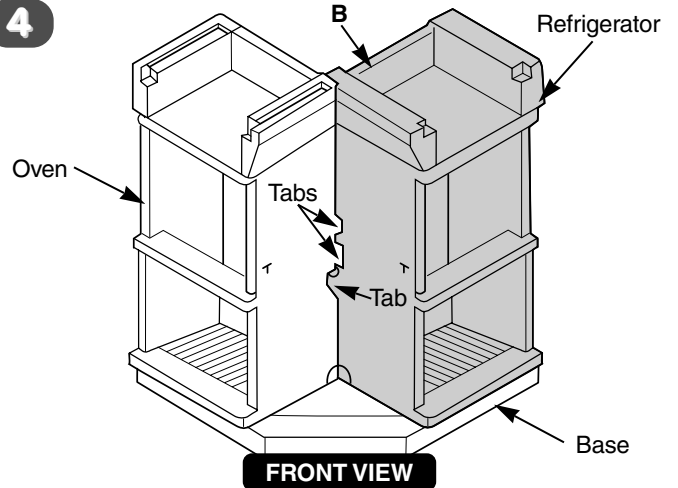
- The oven and refrigerator are marked A (oven) and B (refrigerator). Locate the A or B marking on the back of each.

3



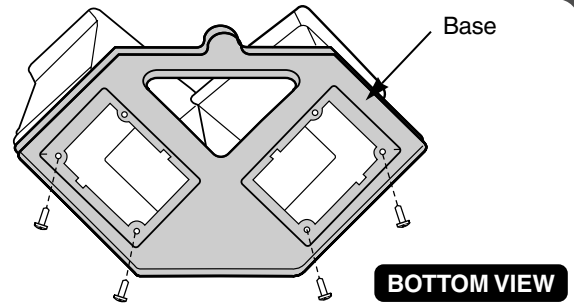
- Fit the oven (marked A) into the rectangular opening in the base (marked A).

4



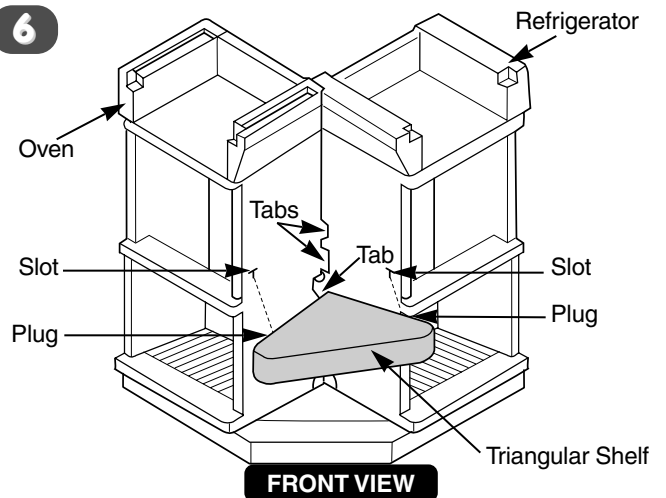
- Fit the refrigerator (marked B) into the rectangular opening in the base (marked B).
- Position the refrigerator and the oven so that the tab on the refrigerator is flat against the oven and the tabs on the oven are flat against the refrigerator.

5



- Turn the base assembly face down.
- Insert four screws through the base and into the oven and refrigerator. Tighten the screws with a Phillips screwdriver. Do not over-tighten.

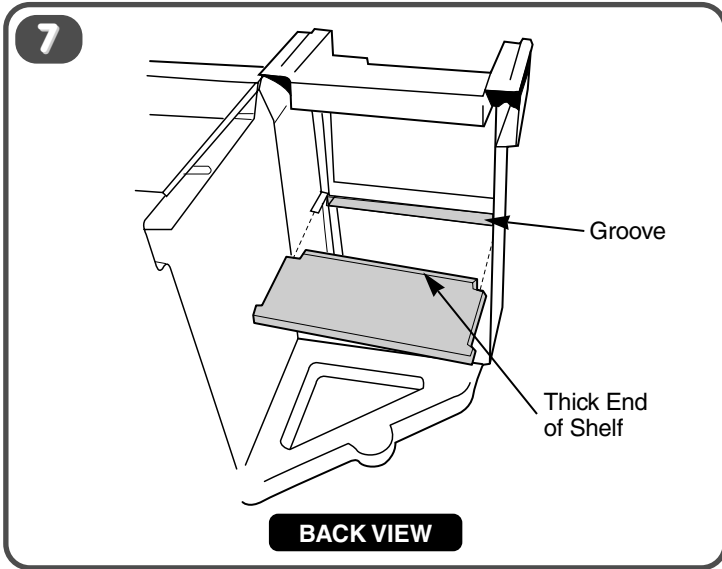
6



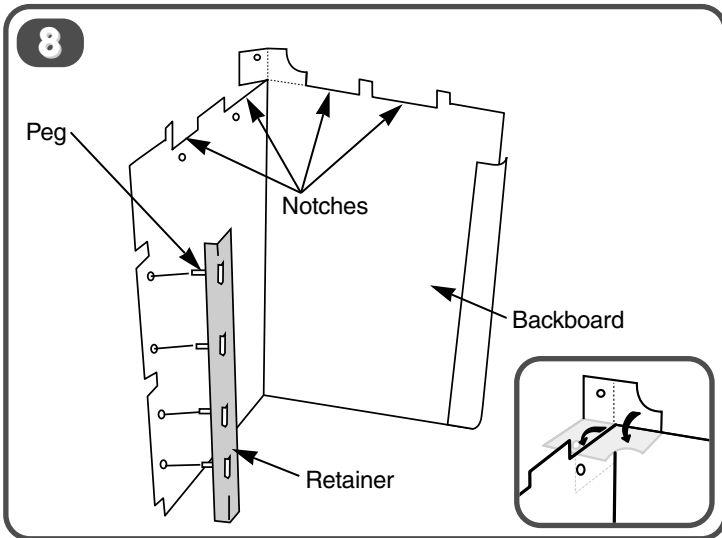
- Stand the base assembly upright.
- Insert the plugs on the triangular shelf into the slots in the oven and refrigerator.
- Make sure the tab on the refrigerator is flat against the oven and the tabs on the oven are flat against the refrigerator.

3

Assembly



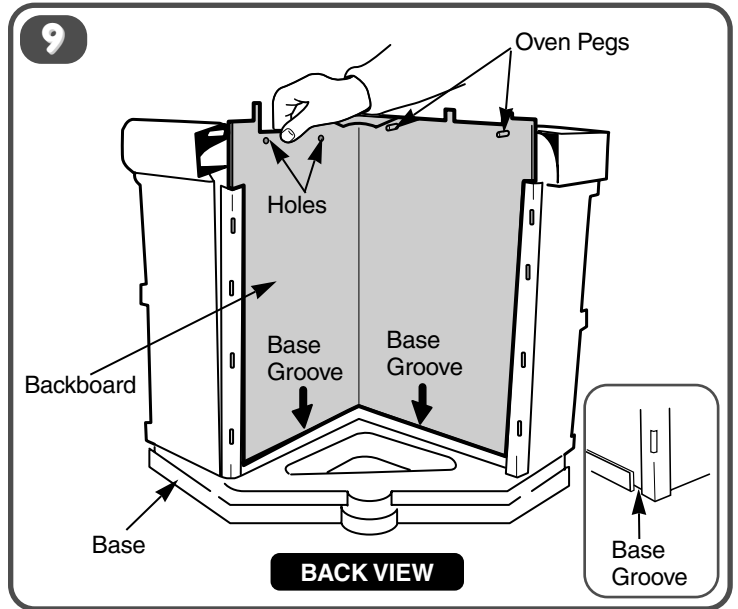
- Turn the base assembly so that the back faces you.
- Hold a shelf so that the thick end faces away from you.
- Insert the thick end of the shelf into a groove in the oven.
- Repeat this procedure to insert a shelf into the other grooves in the oven, and the remaining two shelves into the grooves in the refrigerator.



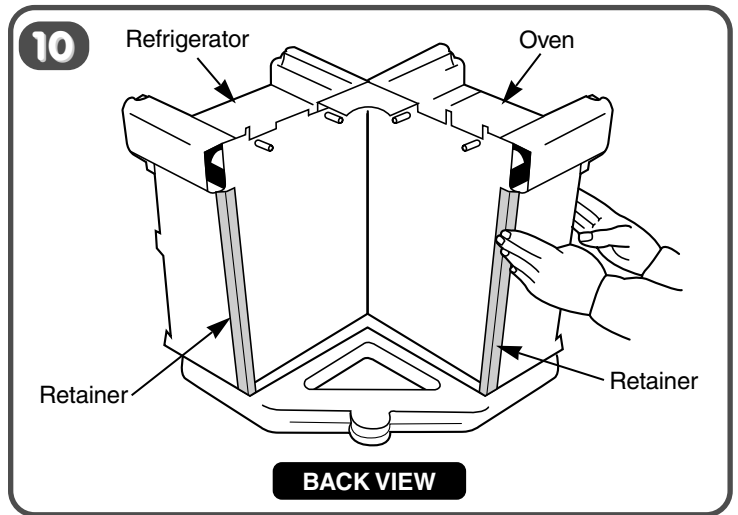
- Position the backboard so that the notches are upright.
- Insert the square and round pegs on a retainer into the corresponding holes in the backboard.
- Repeat this procedure to attach the other retainer to the backboard.

Note: If the pegs on the retainer do not align with the holes in the backboard, turn the backboard around so that you are looking at the opposite side. Re-create the backboard in the middle and attach the retainers.

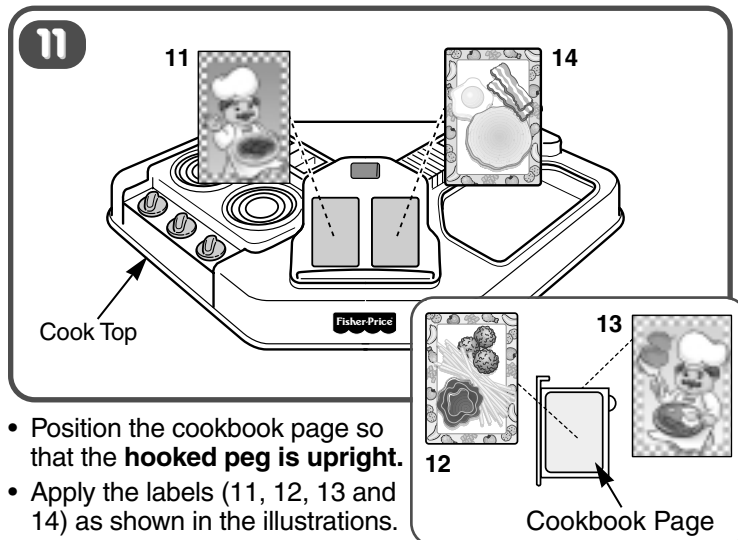
- Fold the top flap on the backboard down.



- Insert the backboard into the base groove, as shown.
- Insert the four pegs on the back of the oven and refrigerator into the holes in the backboard.



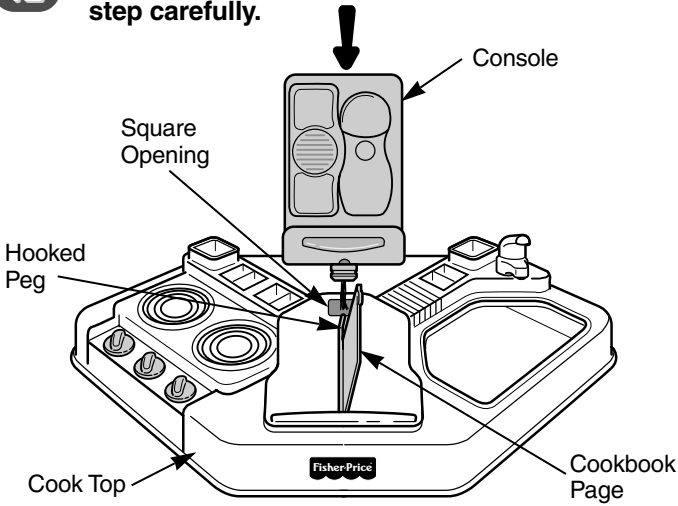
- Snap a retainer onto the oven.
- Snap the other retainer onto the refrigerator.



- Position the cookbook page so that the **hooked peg** is upright.
- Apply the labels (11, 12, 13 and 14) as shown in the illustrations.

Assembly

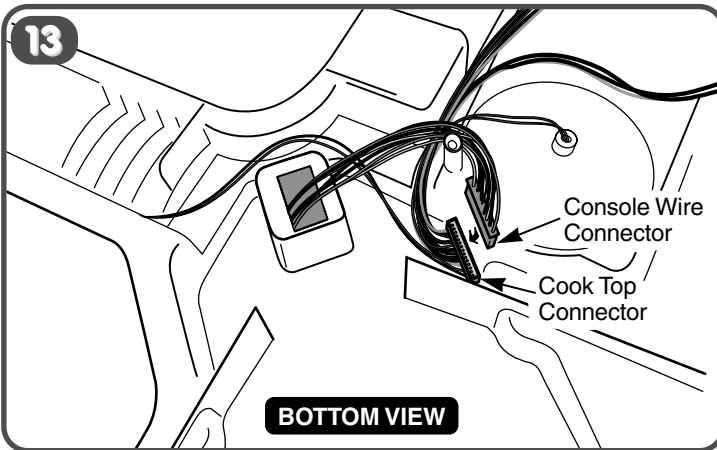
12 IMPORTANT! Follow the instructions in this step carefully.



- Fit the straight peg on one end of the cookbook page into the hole in the cook top.
- Fit the wires on the console down through the square opening in the cook top.
- Hold the cookbook page upright so that the hooked peg is upright.
- Push firmly to snap the console into place.

Hint: When properly assembled, the hooked peg must insert in the console.

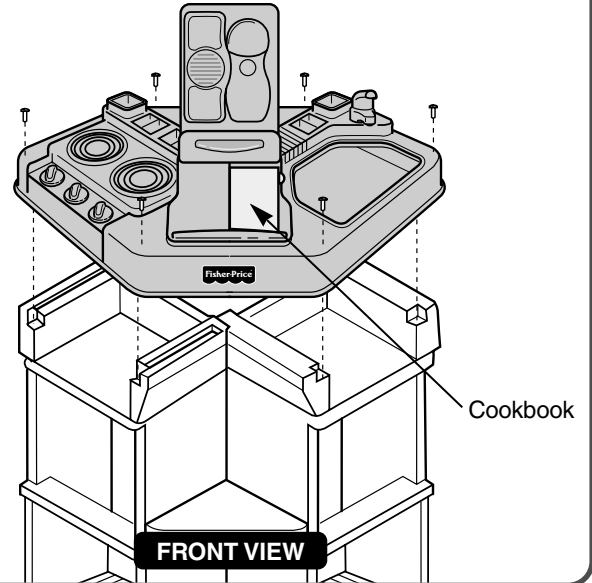
13



- Turn the cook top upside down so that the underside faces you. Fit the console wire connector to the cook top connector.

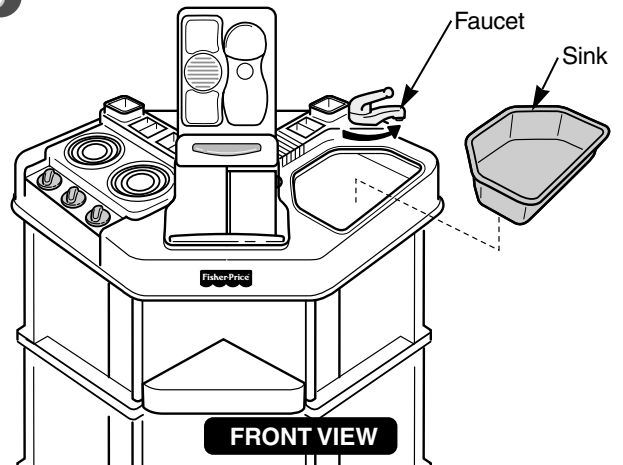
Note: Do not force or bend the connector pins when you insert the wire connector to the cook top connector. If the connectors do not fit, turn the console wire connector over and fit it again to the cook top connector.

14



- Turn the base assembly so that the front faces you.
- Position the cook top so that the cookbook faces you. Fit the cook top onto the base assembly. Push the cook top down firmly.
- Insert six screws through the cook top and into the base assembly. Tighten the screws with a Phillips screwdriver. Do not over-tighten.

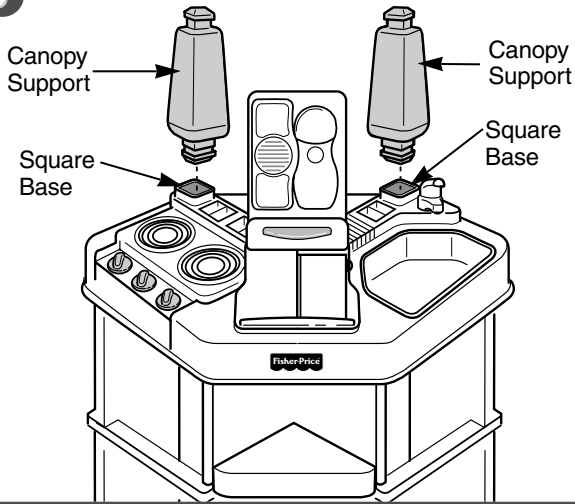
15



- Turn the faucet to the right, away from the sink opening.
- Fit the sink into the cook top opening over the refrigerator.
- Center the faucet over the sink.

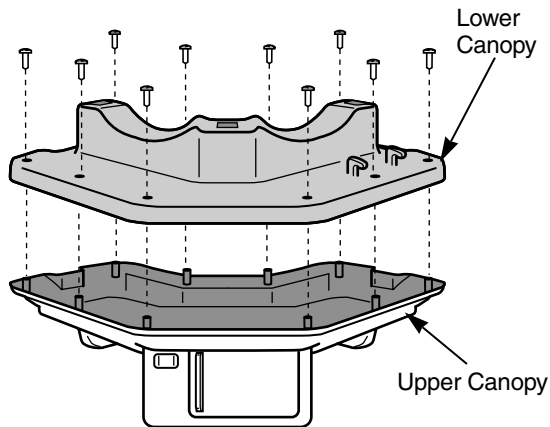
Assembly

16



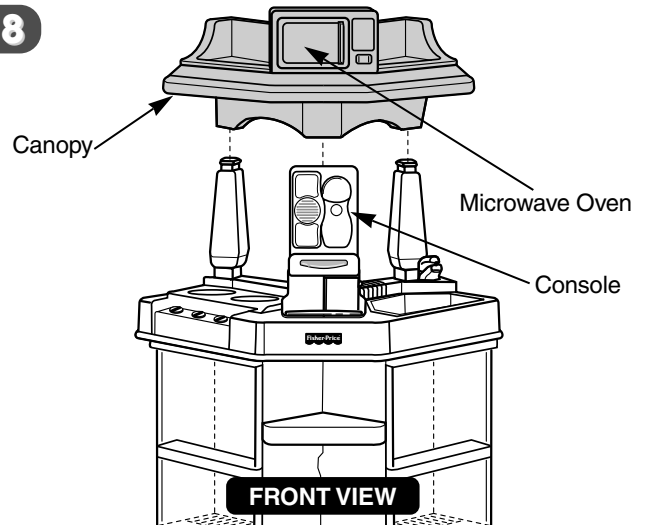
- Insert the canopy supports, wide end down, into the square bases on the cook top.
- Press down to snap the canopy supports into place.

17



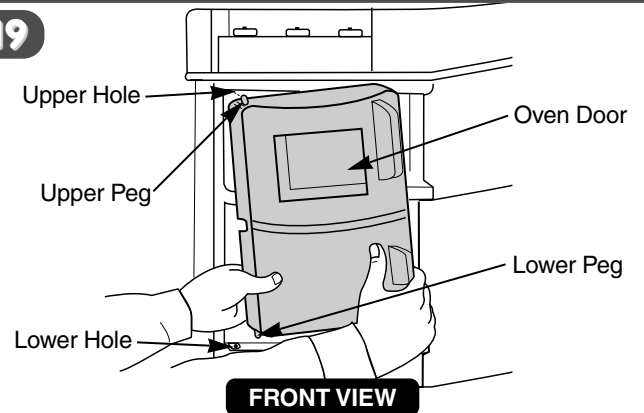
- Turn the upper canopy upside down.
- Fit the lower canopy onto the upper canopy, as shown.
- Insert ten screws through the lower canopy and into the upper canopy. Tighten the screws with a Phillips screwdriver. Do not over-tighten.

18



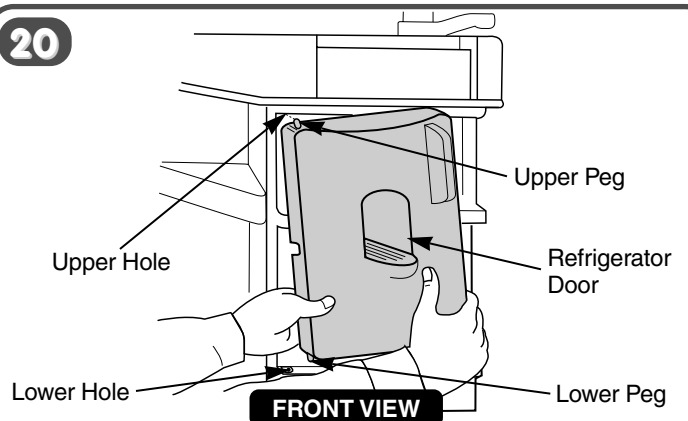
- Turn the canopy assembly upright so that the microwave oven faces you.
- Fit the canopy onto the canopy supports and console.
- Push down on the canopy until it snaps into place.

19



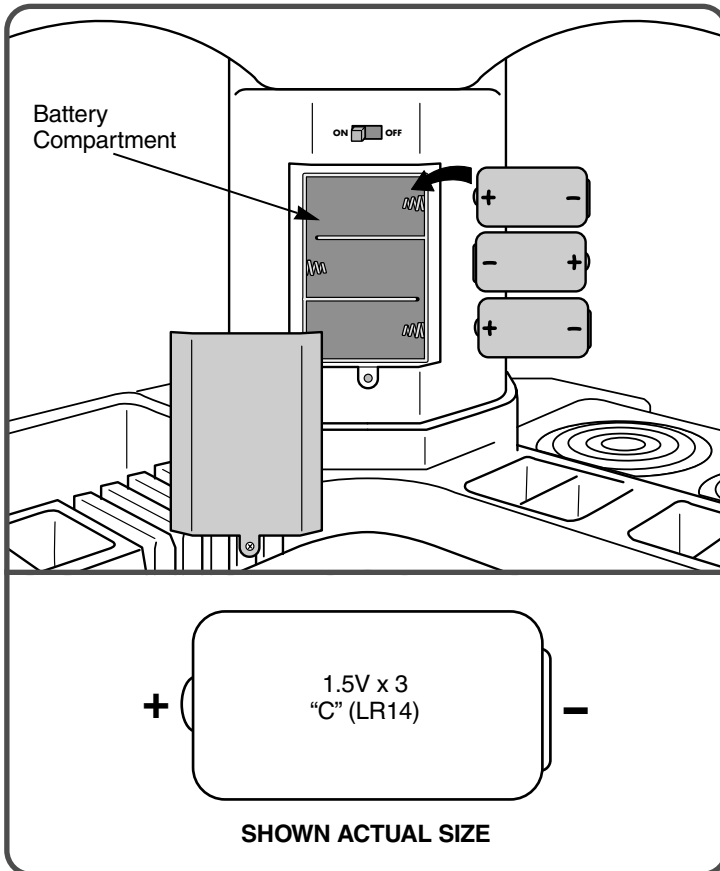
- Insert the upper peg on the oven door into the upper hole in the oven.
- Slide the lower peg on the oven door into the lower hole in the oven.

20



- Insert the upper peg on the refrigerator door into the upper hole in the refrigerator.
- Slide the lower peg on the refrigerator door into the lower hole in the refrigerator.

Battery Installation



- Loosen the screw in the battery compartment door with a Phillips screwdriver.
- Lift to open the battery compartment door.
- Insert three "C" (LR14) alkaline batteries as indicated inside the battery compartment.

Hint: We recommend the use of alkaline batteries for longer battery life.

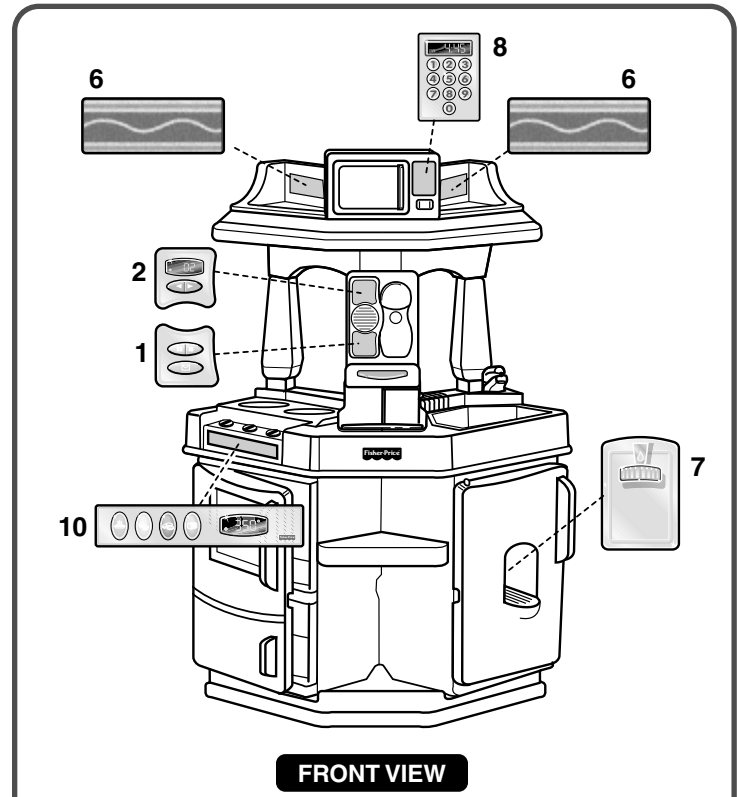
- Replace the battery compartment door and tighten the screws with a Phillips screwdriver. Do not over-tighten.

Battery Tips

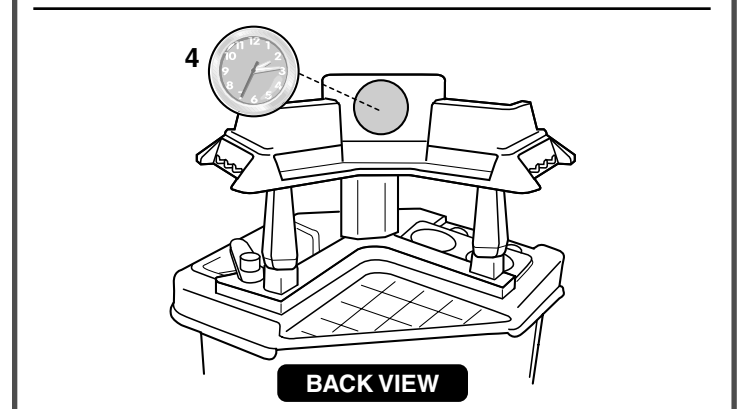
- Do not mix old and new batteries.
- Do not mix different types of batteries: alkaline, standard (carbon-zinc) or rechargeable (nickel-cadmium).
- Remove the batteries during long periods of non-use. Always remove exhausted batteries from the toy. Battery leakage and corrosion can damage this toy. Dispose of batteries properly.
- Never short circuit the battery terminals.
- Non-rechargeable batteries are not to be recharged.
- Only batteries of the same or equivalent type as recommended in the "Battery Installation" instructions are to be used.
- If removable rechargeable batteries are used, they are only to be charged under adult supervision.
- Rechargeable batteries are to be removed from the toy before they are charged.
- If you use a battery charger, it should be examined regularly for damage to the cord, plug, enclosure and other parts. Do not use a damaged battery charger until it has been properly repaired.

Label Decoration

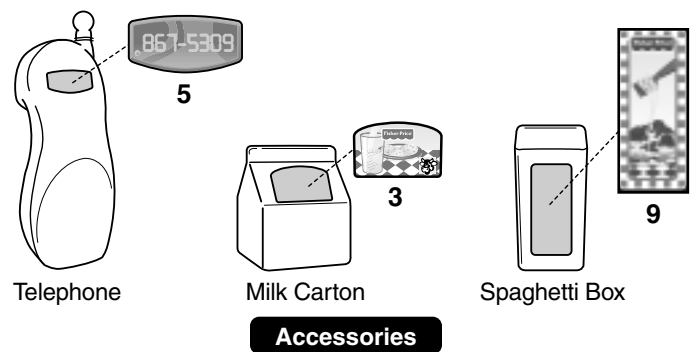
- Make sure the areas where the labels will be applied are clean and dry. Wash your hands before applying the labels.
- Apply the labels as shown in the illustrations.
- Apply the top corners of a label first and smooth downward to remove air bubbles.
- For best results, avoid repositioning a label once it has been applied.



FRONT VIEW



BACK VIEW



Accessories

Let's Cook!



- Slide the power switch on the back of the console to the ON position.
- When the phone rings pick it up for “real” conversation!
- Press the blinking answering machine button to play back “messages”.
- Place the pan on the burner. Turn cook top knobs for sizzling sounds and watch the burners light up!

Hint: You will only hear sizzle sounds when the pan is on the burner.

- Turn the cookbook page to hear ideas, advice and more!
- Turn the faucet to hear running water.

Hint: When not in use, we recommend that you slide the power switch to the OFF position.

Care

- Before using the cooking and eating utensils, hand wash them in hot, soapy water.
- If sound or lights become faint or stop, it's time for an adult to replace the batteries!
- Wipe this toy with a clean cloth dampened with a mild soap and water solution. Do not immerse this toy.
- This toy has no consumer serviceable parts. Do not take this toy apart.
- Periodically check the Talking Chef Magic Kitchen for loose screws, and tighten as needed. Check plastic parts on a regular basis for cracks or broken pieces.

FCC Note (United States Only)

Note: This equipment has been tested and found to comply with the limits for a Class B digital device, pursuant to Part 15 of the FCC Rules. These limits are designed to provide reasonable protection against harmful interference in a residential installation. This equipment generates, uses and can radiate radio frequency energy and, if not installed and used in accordance with the instructions, may cause harmful interference to radio communications. However, there is no guarantee that interference will not occur in a particular installation. If this equipment does cause harmful interference to radio or television reception, which can be determined by turning the equipment off and on, the user is encouraged to try to correct the interference by one or more of the following measures:

- Reorient or relocate the receiving antenna.
- Increase the separation between the equipment and receiver.
- Consult the dealer or an experienced radio/TV technician for help.

Consumer Information



Questions? We'd like to hear from you!

Call Fisher-Price® Consumer Relations, toll-free at **1-800-432-KIDS**, 8 AM - 6 PM EST Monday through Friday. Hearing-impaired consumers using TTY/TDD equipment, please call 1-800-382-7470. Or, write to:

Fisher-Price® Consumer Relations
636 Girard Avenue
East Aurora, New York 14052