

**Fisher-Price®**

# Tea Party Kitchen



**Model Number 74924**

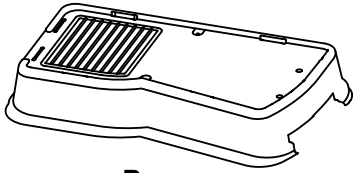
Please keep this instruction sheet for future reference,  
as it contains important information.

Adult assembly is required.

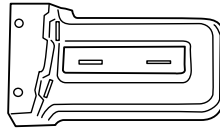
Tool required for assembly:  
Phillips screwdriver (not included).

Discover what's possible™... [www.fisher-price.com](http://www.fisher-price.com)

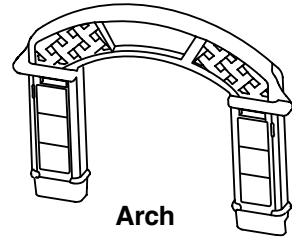
# Parts



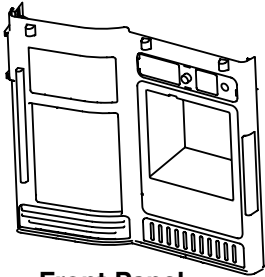
Base



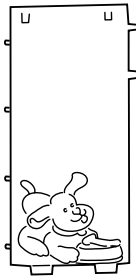
Base Extension



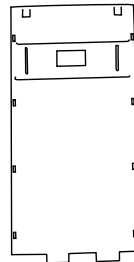
Arch



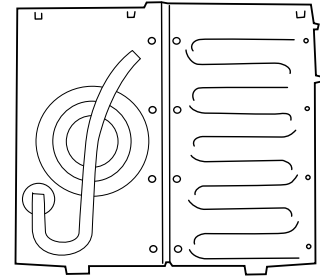
Front Panel



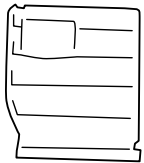
Side Panel  
with Molded  
Puppy



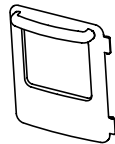
Side Panel



Back Panel



Freezer Shelf



Oven Door



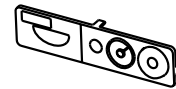
Countertop



Faucet Handle



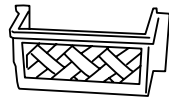
Faucet



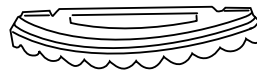
Oven Panel



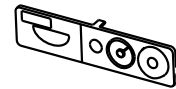
Oven Dial



Basket



Shelf



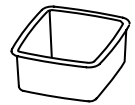
Oven Panel



Oven Dial



Phone



Sink

## Parts Not Shown:

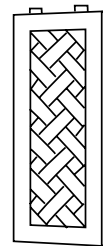
- Label Sheet
- Spatula
- Frying Pan
- 4 Cookies
- Teapot with Lid
- Sugar Bowl
- Creamer
- Serving Tray
- 4 Saucers
- 4 Spoons
- 4 Tea Cups



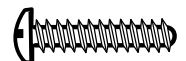
Refrigerator Door



Side Table



Side Table Support



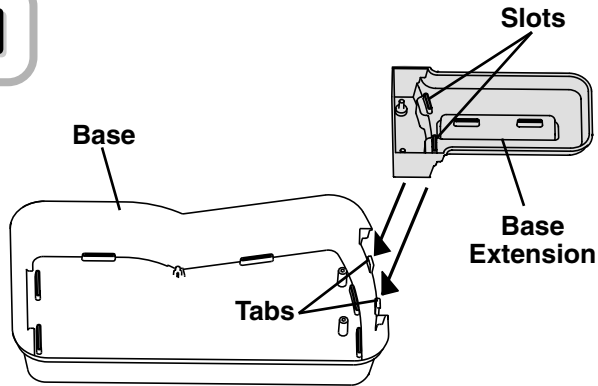
#8 x 3/4" Screw - 34  
Shown Actual Size

# Assembly

## ⚠ CAUTION

This product contains small parts in its unassembled state. Adult assembly is required.

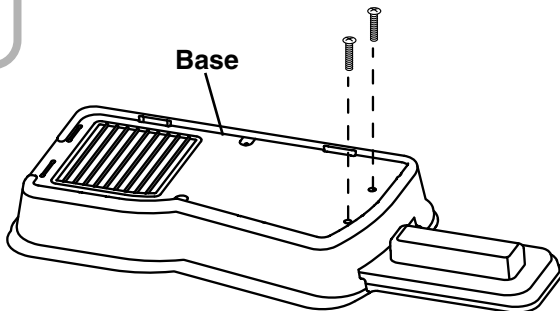
1



Bottom View

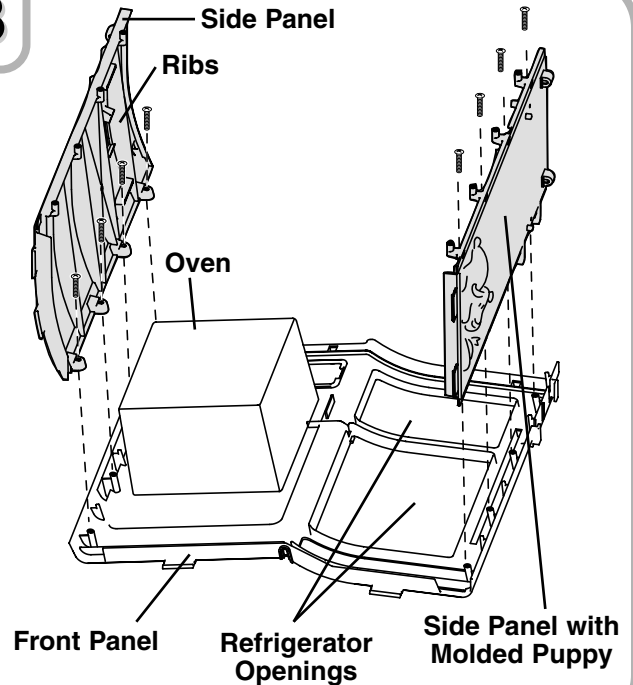
- Place the base upside down on a flat surface.
- Place the base extension on the base so that the tabs on the base fit into the slots in the base extension.
- Push down on the base extension to “snap” it in place.

2



- Turn the base upright.
- Insert two screws through the holes in the base and into the base extension. Tighten the screws with a Phillips screwdriver. Do not over-tighten.

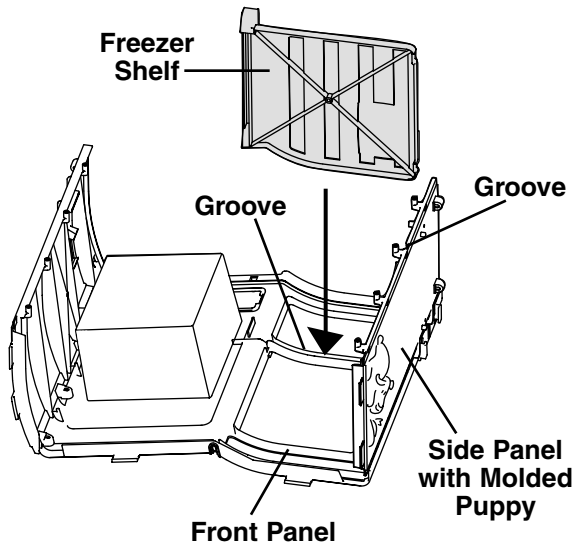
3



- Place the front panel face down on a flat surface.
- Position the side panel with the molded puppy with the decoration facing outward. Fit the side panel with the molded puppy to the front panel near the refrigerator openings.
- Insert four screws through the holes in the side panel with the molded puppy and into the front panel. Tighten the screws with a Phillips screwdriver. Do not over-tighten.
- Position the other side panel so that the ribs face inward. Fit the side panel to the front panel near the oven.
- Insert four screws through the holes in the side panel and into the front panel. Tighten the screws with a Phillips screwdriver. Do not over-tighten.

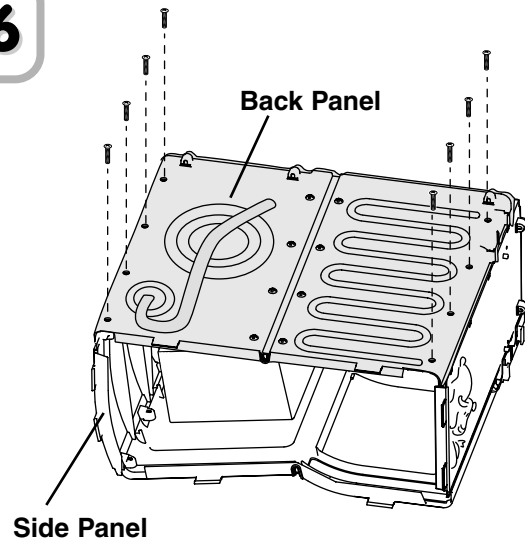
# Assembly

4



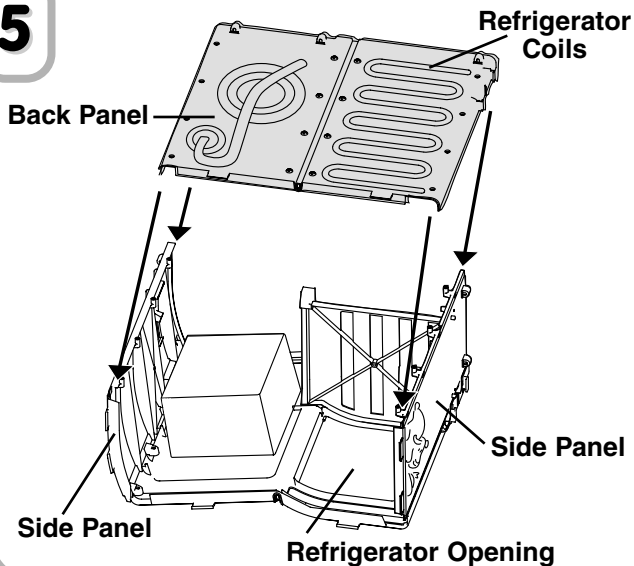
- Slide the freezer shelf into the grooves in the side panel with the molded puppy and the front panel.

6



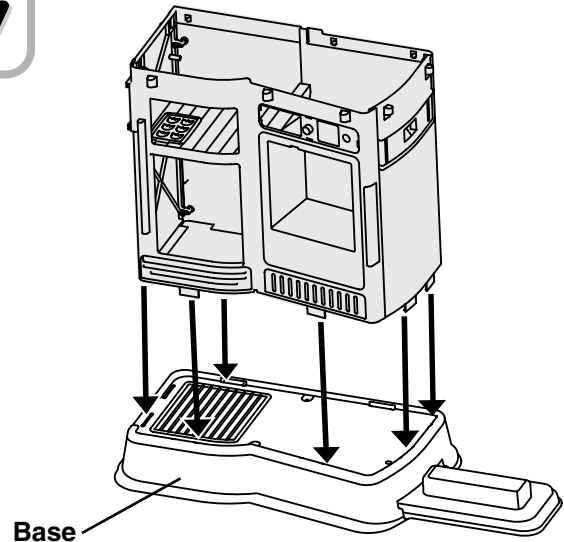
- Insert eight screws through the back panel and into the side panels. Tighten the screws with a Phillips screwdriver. Do not over-tighten.

5



- Position the back panel with the molded detail upright. Make sure the refrigerator coils are over the refrigerator openings.
- Fit the back panel onto the side panels.

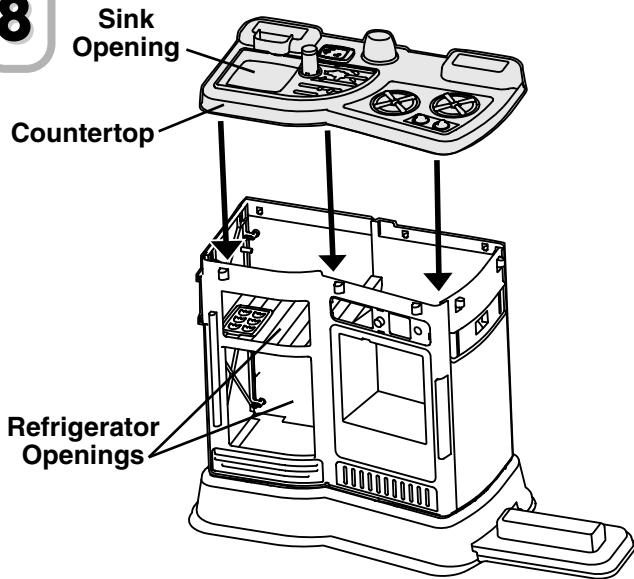
7



- Position the assembly over the base, as shown.
- Insert and “snap” the tabs on the bottom of the assembly into the slots in the base.

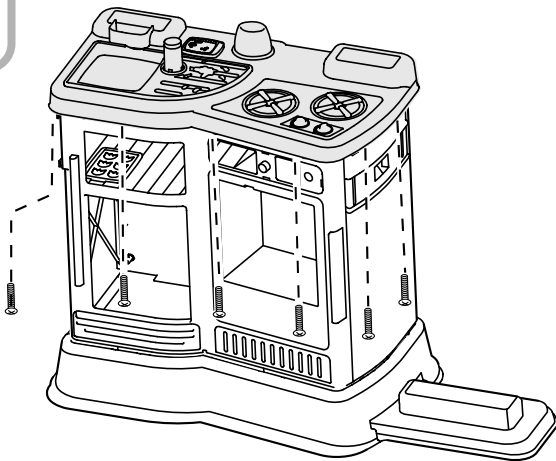
# Assembly

8



- Position the countertop so that the sink opening is above the refrigerator openings. Fit the countertop to the assembly.

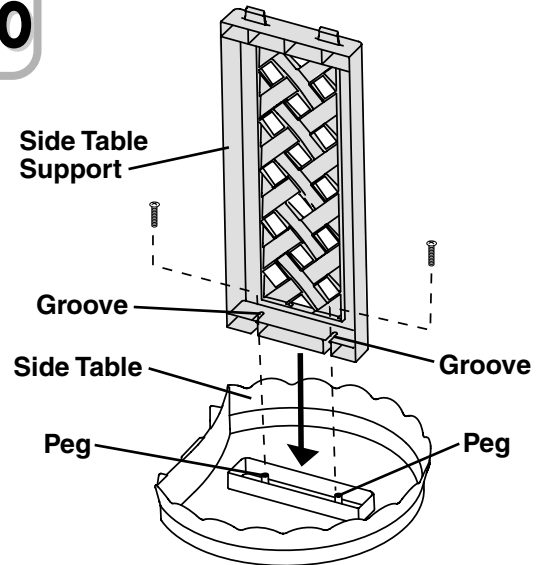
9



- Insert ten screws up through the front, back and side panels and into the countertop. Tighten the screws with a Phillips screwdriver. Do not over-tighten.

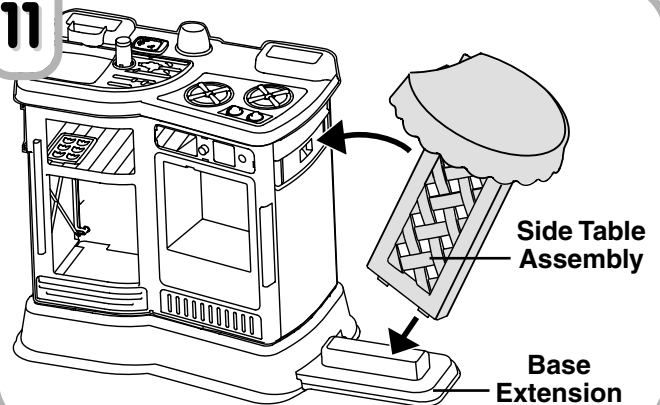
**Hint:** You may find it easier if you tip the assembly first backward and then forward to tighten the screws.

10



- Place the side table down on a flat surface.
- Fit the grooves in side table support onto the pegs on the side table.
- Insert two screws into the pegs in the side table. Tighten the screws with a Phillips screwdriver. Do not over-tighten.

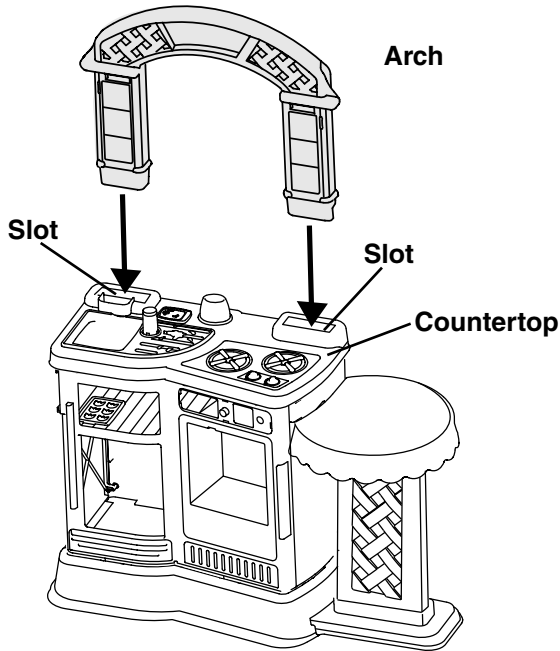
11



- Position the side table assembly at an angle, as shown.
- Insert and “snap” the tabs on the bottom of the side table assembly into the slots in the base extension.
- Insert and “snap” the remaining tabs on the side table assembly into the slots in the side panel.

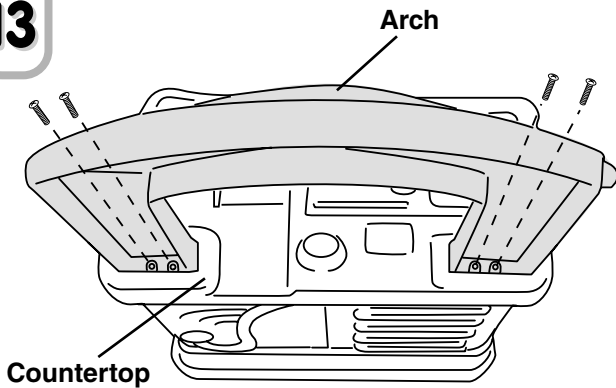
# Assembly

12



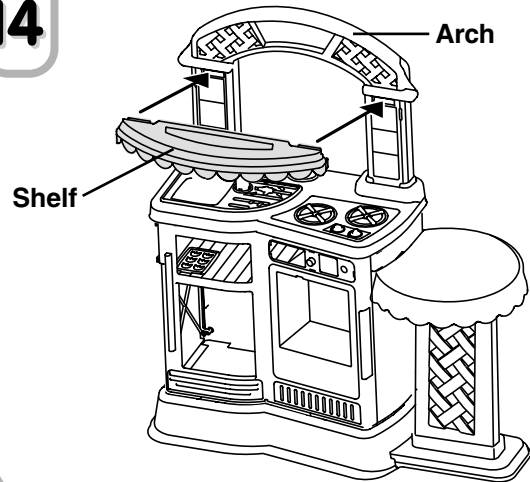
- Position the arch over the countertop.
- Fit the arch into the matching slots in the countertop, as shown.

13



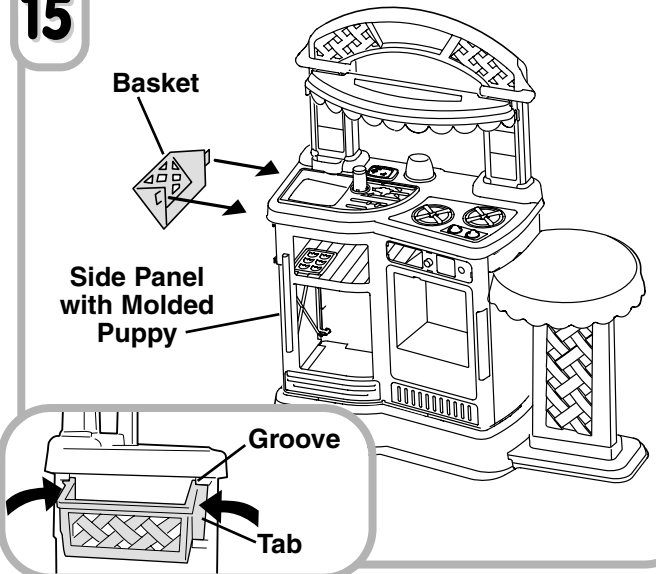
- Insert four screws through the arch and into the countertop. Tighten the screws with a Phillips screwdriver. Do not over-tighten.

14



- Insert and “snap” the tabs on the shelf into the slots in the arch.

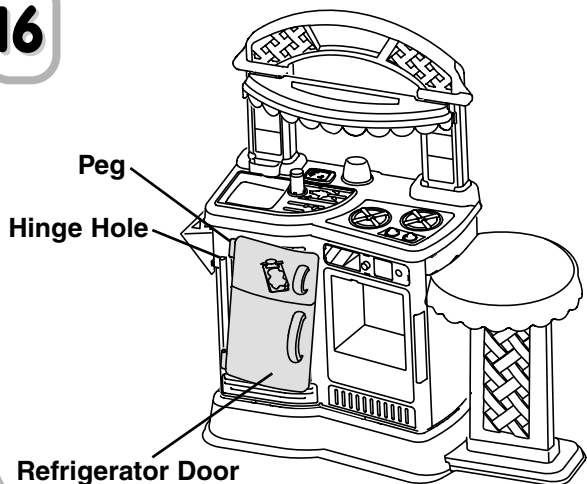
15



- Insert the tabs on one end of the basket into the matching grooves in the side panel.
- Gently squeeze the basket to fit the tabs on the other end into the remaining grooves in the side panel.

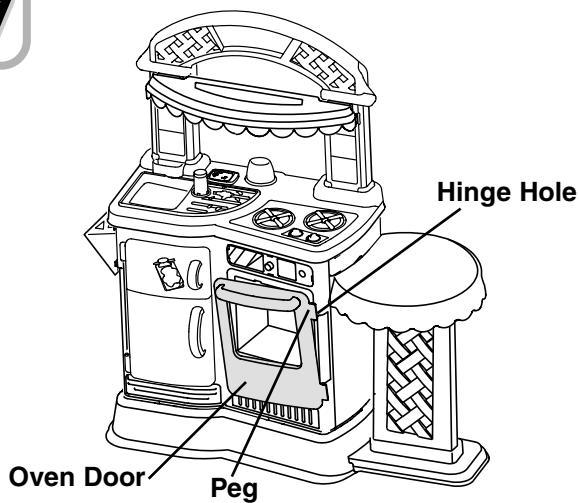
# Assembly

16



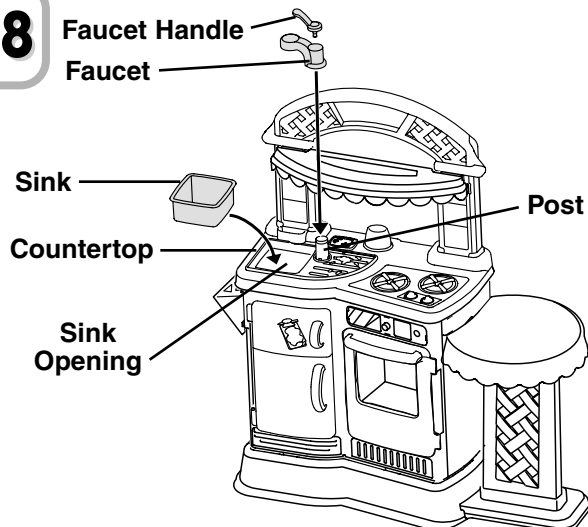
- Position the refrigerator door with the handles facing you.
- At an angle, fit the refrigerator door lower peg into the lower hole in the hinge on the front panel.
- Then, “**snap**” the refrigerator upper peg into the upper hole in the hinge.

17



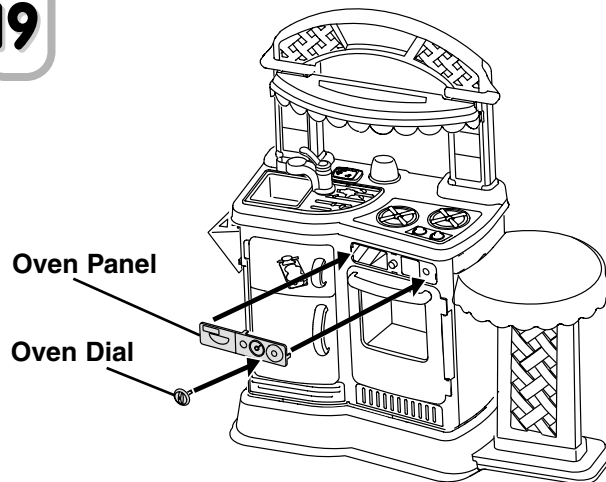
- Position the oven door with the handle facing you.
- At an angle, fit the oven door lower peg into the lower hole in the hinge on the front panel.
- Then, “**snap**” the oven upper peg into the upper hole in the hinge.

18



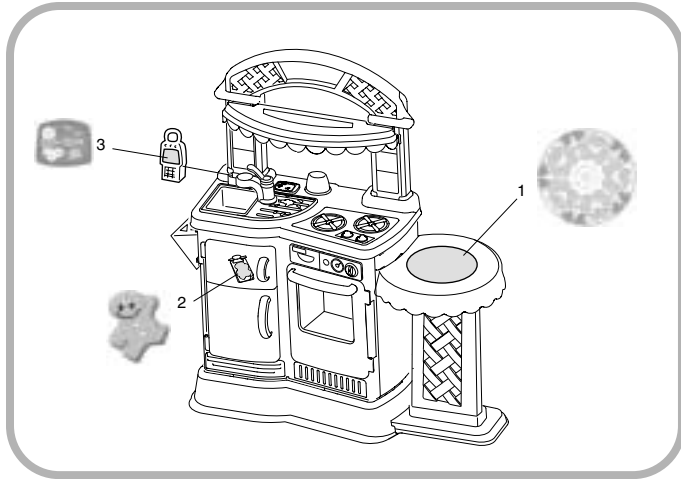
- Place the sink into the sink opening in the countertop.
- Fit the hole in the faucet over the post on the countertop, as shown.
- Insert and “**snap**” the peg on the bottom of the faucet handle into the faucet, as shown.

19



- Insert and “**snap**” the tabs on oven panel into the matching openings above the oven door.
- Insert and “**snap**” the oven dial into the hole in the oven panel, as shown.

## Label Decoration



**Proper label application will help keep labels looking their best! When applying labels, keep the following guidelines in mind:**

- Wash hands before applying labels.
- Before applying labels, wipe the surface of the toy with a clean, dry cloth to remove dust or oils.
- For best results, avoid repositioning a label once it has been applied.
- Apply labels as shown in the illustration.

**One-time assembly is now complete.**

## Care

- Before using the cooking and eating utensils, hand wash them in hot, soapy water.
- Check the plastic parts regularly and if broken or cracked, dispose of them properly.
- Check all screws regularly to be sure they are tight. If the screws are not tight, tighten them as necessary.
- To clean, wipe the surface of this toy with a mild soap and water solution and clean cloth. Rinse clean with water to remove soap residue. Do not immerse the toy.

## Consumer Information

### Questions? We'd like to hear from you!

Call Fisher-Price® Consumer Relations, toll-free at **1-800-432-KIDS**, 8 AM - 6 PM EST Monday through Friday. Hearing-impaired consumers using TTY/TDD equipment, please call 1-800-382-7470. Or, write to: Fisher-Price® Consumer Relations, 636 Girard Avenue, East Aurora, New York 14052.

For other countries, outside the United States:

**Canada:** call **1-800-567-7724**, or write to: Mattel Canada Inc, 6155 Freemont Blvd., Mississauga, Ontario L5R 3W2.

**Great Britain:** telephone 01628 500302.

**Australia:** Mattel Australia Pty. Ltd., 658 Church Street, Locked Bag #870, Richmond, Victoria 3121 Australia.  
Consumer Advisory Service 1300 135 312.

**New Zealand:** 16-18 William Pickering Drive, Albany 1331, Auckland.

Fisher-Price, Inc., a subsidiary of Mattel, Inc., East Aurora, NY 14052 U.S.A.  
©2002 Mattel, Inc. All Rights Reserved. ® and ™ designate U.S. trademarks of Mattel, Inc.