



Instructions

Tent Climber

Model Number: 75985



Adult assembly is required.

Please save these instructions for future reference.

If you experience a problem with this product, or are missing a part, please call us at 1-800-432-KIDS, rather than return this product to the store.

Tool needed for assembly: Phillips Screwdriver.

Weight Limit: 300 lbs.

WARNING

- Falls onto hard surfaces could result in head or other serious injuries.
- Never put on concrete, asphalt, wood or any other hard surface.
- Carpet over hard floors may not prevent injury.

CAUTION

Please keep small parts and plastic bags out of children's reach.

Important Safety Information

- Place the Tent Climber on level ground, at least six feet from any structure or obstruction such as a fence, garage, house, overhanging branches, laundry lines or electrical wires.
- Do not use the Tent Climber until it has been properly assembled by an adult.
- Only five children should use the Tent Climber at one time.
- The total weight limit for the Tent Climber is 300 lbs.
- As with any climbing equipment, adult supervision is necessary to ensure that children play safely.
- Be sure children are dressed appropriately to avoid potential hazards while using the Tent Climber. Children should not wear loose clothing such as ponchos or scarves. Attire should include well-fitting shoes.
- Do not climb on the Tent Climber when it is wet.
- Do not use the Tent Climber in a manner that is unintended.

Message to Parents

Your little camper will love setting up camp with the Fisher-Price Tent Climber. There's lots to do inside and outside the Tent Climber...like "calling home" from the field phone or climbing to the top for a better view. And, while resting inside, your little camper can look up to see the stars and the moon!

Please read these instructions carefully and identify all parts before assembly. Refer to the parts illustration on the next page for identification.

Look for exciting information about other Fisher-Price outdoor playsets at the end of this instruction sheet. We hope you will be interested in learning about these new products. Thank you for choosing Fisher-Price!

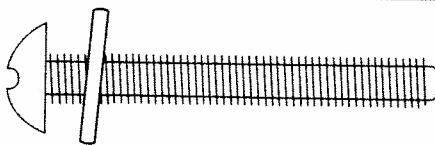
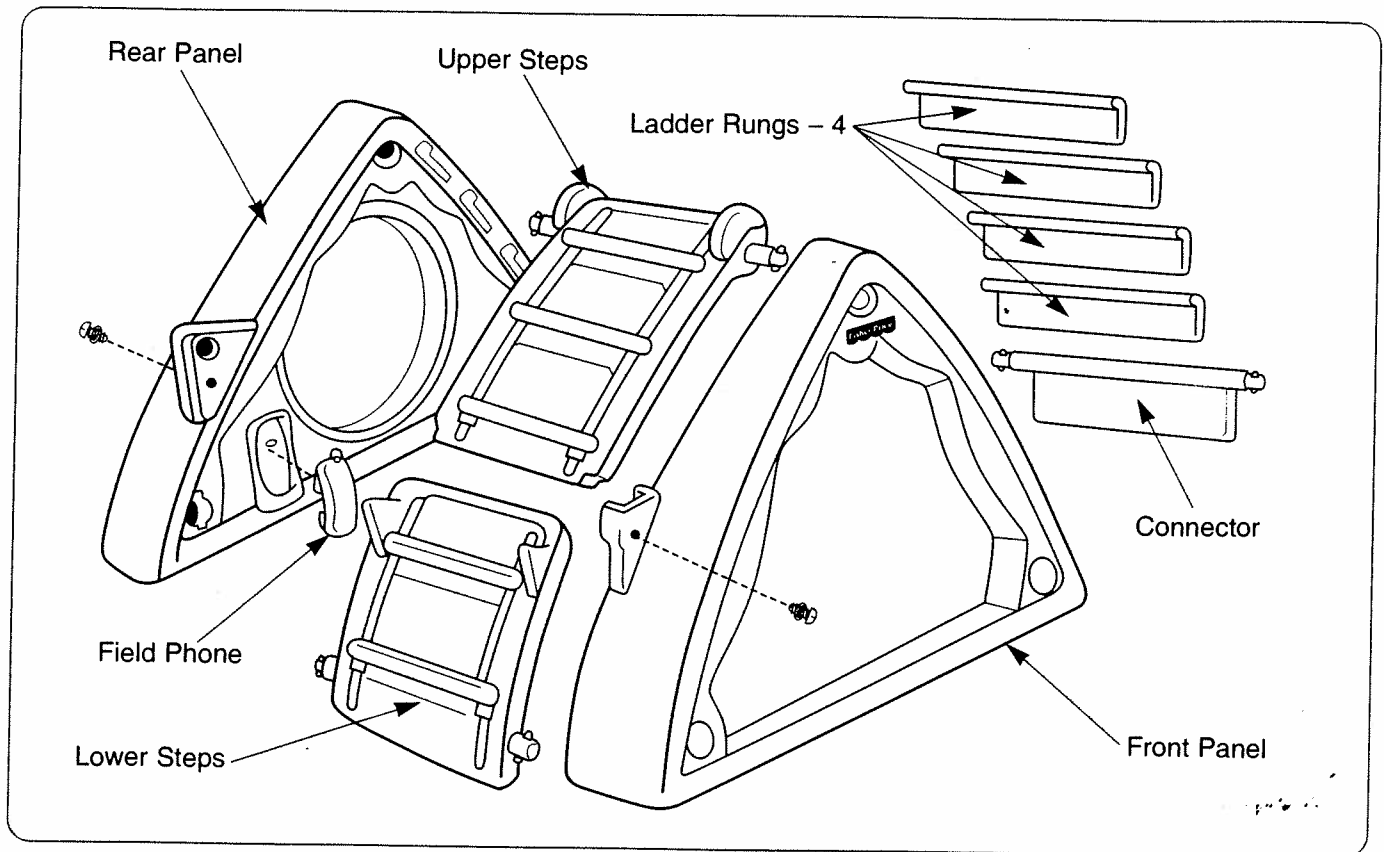


Questions? We'd like to hear from you!

Call Fisher-Price Consumer Affairs, toll-free at **1-800-432-KIDS**, between 8 AM - 6 PM EST Monday through Friday. Hearing-impaired consumers using TTY/TDD equipment, please call 1-800-382-7470. Or, write to: Fisher-Price Consumer Affairs, 636 Girard Avenue, East Aurora, New York 14052.

Parts

If you experience a problem with this product, or are missing a part, please call us at 1-800-432-KIDS, rather than return this product to the store.

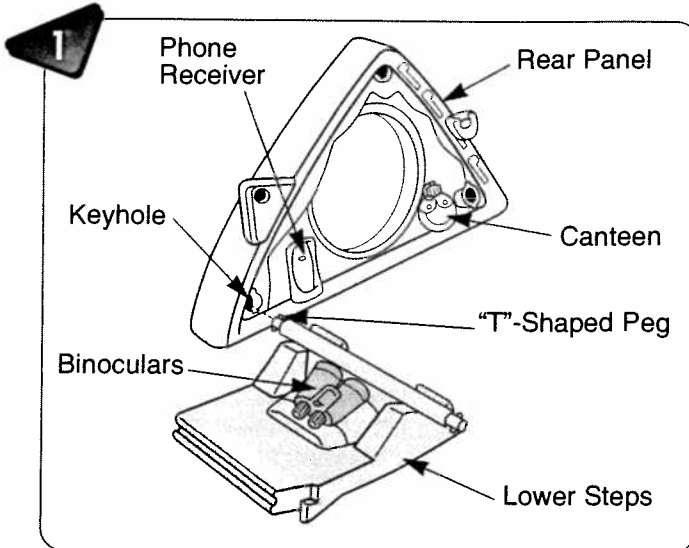


1/4" x 20 x 2" Screw with Washer - 2

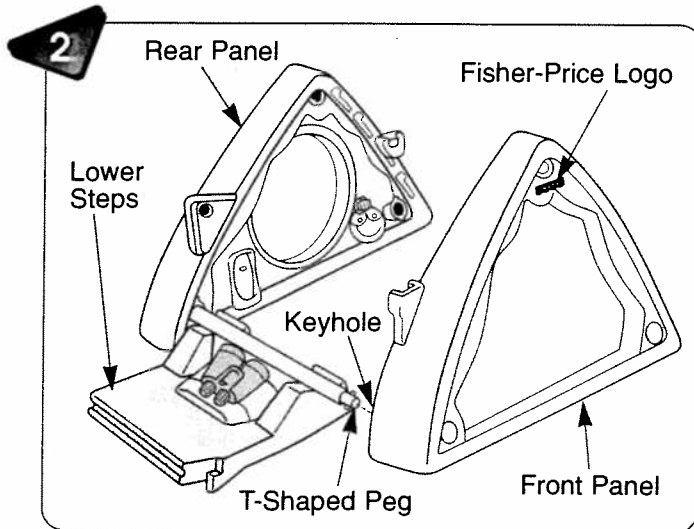
SHOWN ACTUAL SIZE

- Please save all packaging material until assembly is complete to ensure that no parts are discarded.
- Before assembling the Tent Climber, please wipe each part with a clean, dry cloth.

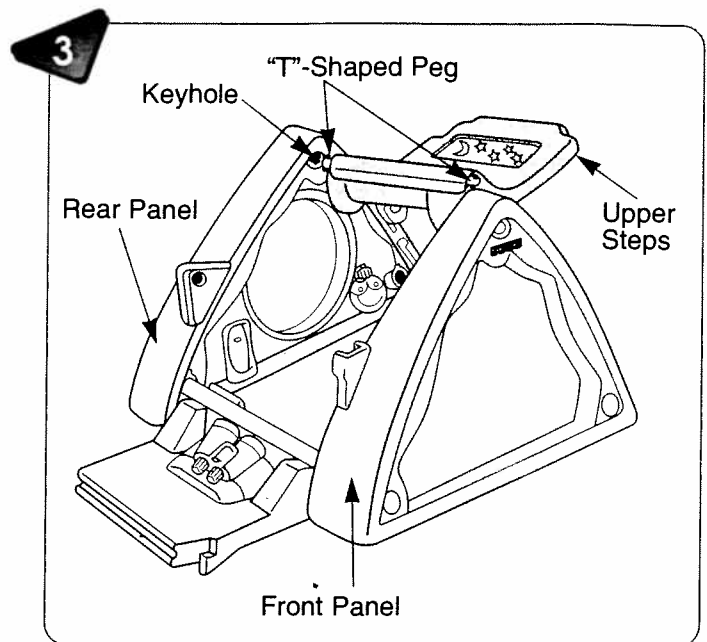
Assembly



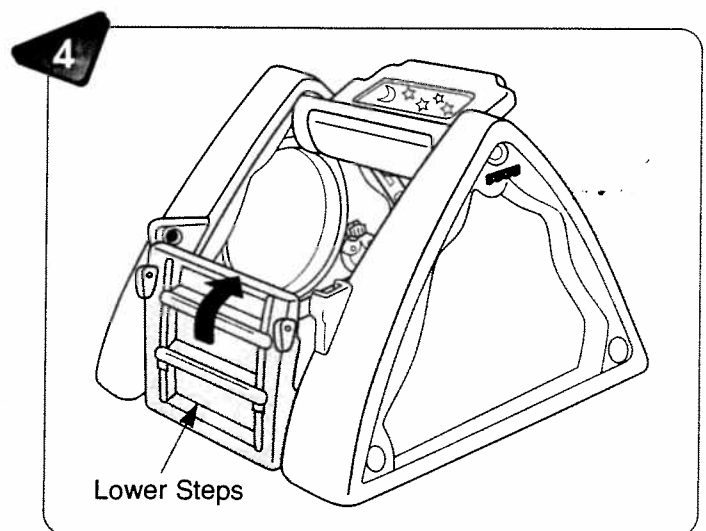
- Position the rear panel so that the phone receiver and canteen are facing you.
- Position the lower steps so that the binoculars are upward.
- Fit the "T"-shaped peg on one side of the lower steps into the lower keyhole in the rear panel.



- Position the front panel so that the Fisher-Price logo is facing you.
- Fit the "T"-shaped peg on the other side of the lower steps into the lower keyhole in the front panel.



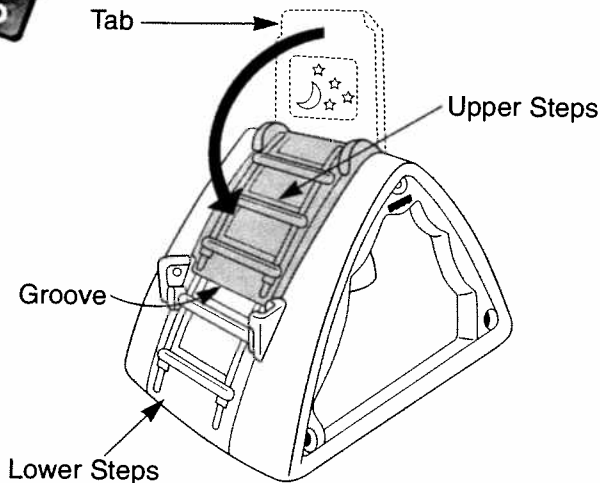
- Position the upper steps so that stars and moon are upward.
- Fit the "T"-shaped peg on one side of the upper steps into the upper keyhole in the rear panel.
- Fit the "T"-shaped peg on the other side of the upper steps into the upper keyhole in the front panel.



- Rotate the lower steps up.

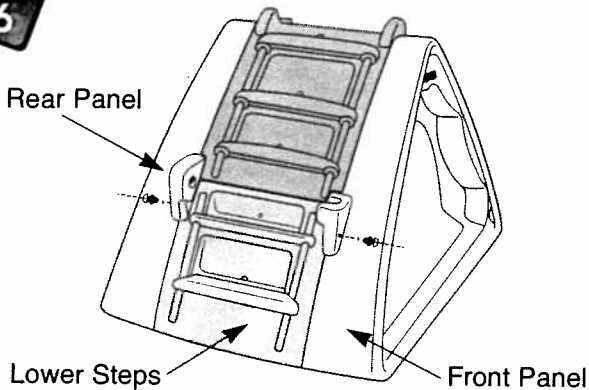
Assembly

5



- Rotate the upper steps down toward the lower steps.
- **Push the upper steps in until it snaps into position.**
- Make sure the tab on the upper steps fits into the groove in the lower steps.

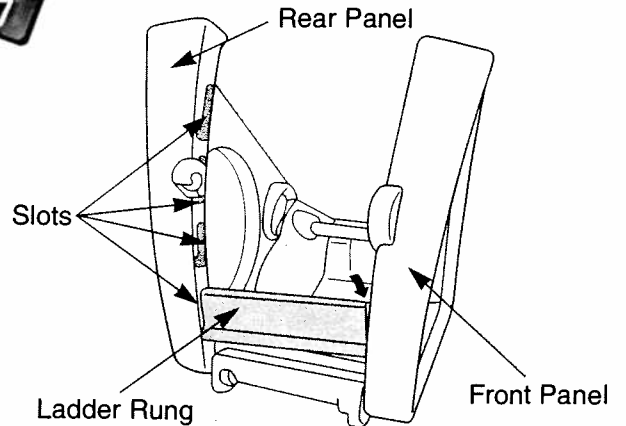
6



Helpful Hint: To make sure the screw holes are aligned, pass the shaft of the screwdriver through the holes before inserting the screws.

- Insert a screw with a washer through the front panel and into the lower steps. Hand-tighten the screw.
- Insert a screw with washer through the rear panel and into the lower steps. Hand-tighten the screw.
- Now, tighten both screws with a Phillips screwdriver. Do not over-tighten.

7

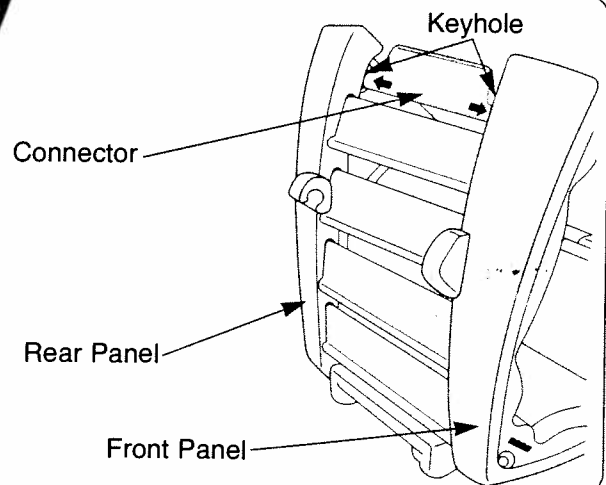


Helpful Hint: You may need the help of another person with this step.

- Tip the assembly so that the steps are on the ground.
- Fit the four ladder rungs into the front and rear panel slots, as shown.

Helpful Hint: You may need to spread apart the front and rear panels to fit the ladder rungs into place.

8



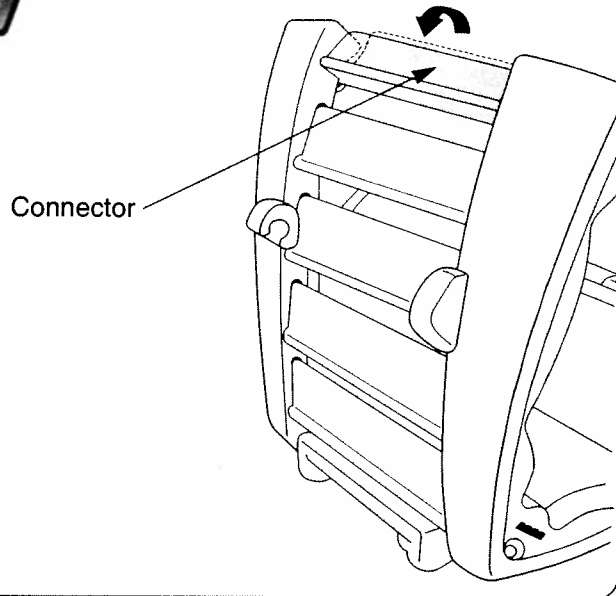
- Fit the "T"-shaped peg on one side of the connector into the keyhole in the rear panel.
- Fit the "T"-shaped peg on the other side of the connector into the keyhole in the front panel.

Helpful Hint: You may need to spread apart the front and rear panels to fit the connector into place.

5

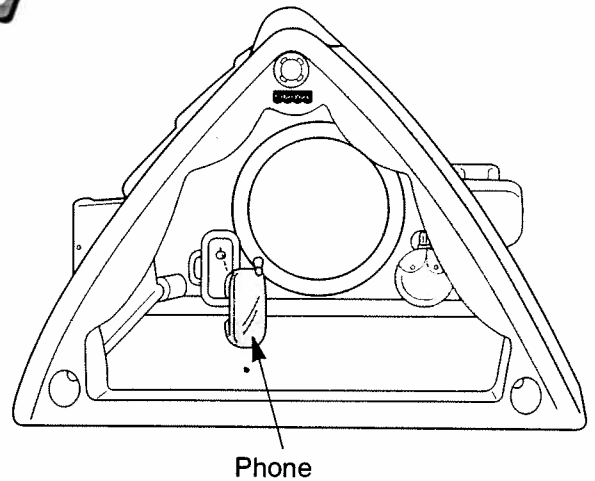
Assembly

9



- Turn the connector down to lock the assembly together.
- Turn the Tent Climber upright.

10



- Fit the field phone into the receiver.
- Assembly is now complete.**