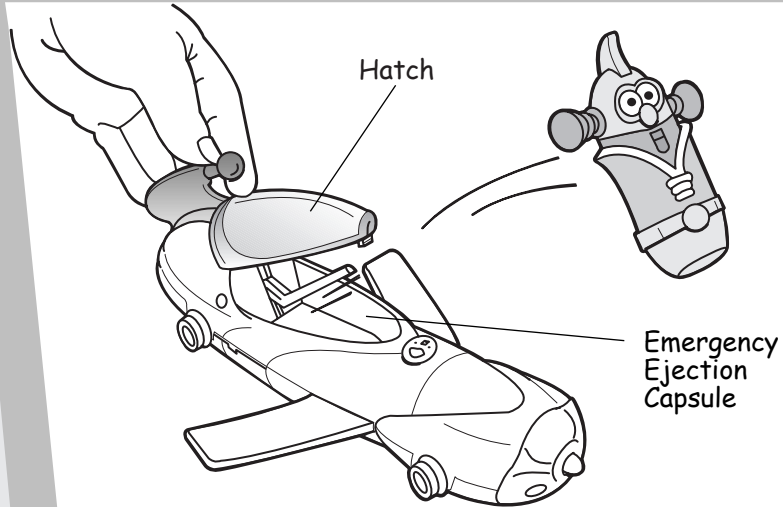


# Larry-Boy™ to the Rescue!



- Pull the hatch all the way back to activate the ejector seat!

## CAUTION

Do not fire the Larry-Boy figure at close range. Only use the Larry-Boy figure supplied with this toy.

## Care

- To clean, wipe all parts with a damp cloth.
- Do not immerse this toy.

## Questions? We'd like to hear from you!

Call Fisher-Price® Consumer Relations, toll-free at 1-800-432-KIDS, 8 AM - 6 PM EST Monday through Friday. Hearing-impaired consumers using TTY/TDD equipment, please call 1-800-382-7470. Or, write to: Fisher-Price® Consumer Relations, 636 Girard Avenue, East Aurora, New York 14052.

**CANADA**, Mattel Canada Inc., 6155 Freemont Blvd., Mississauga, Ontario L5R 3W2. Questions? 1-800-567-7724.

**GREAT BRITAIN**, Mattel U.K., Ltd., Helpline: 01628 500303.

**AUSTRALIA**, Mattel Australia Pty. Ltd., 658 Church Street, Locked Bag #870, Richmond, Victoria 3121 Australia. Consumer Advisory Service 1-800-800-812 (valid only in Australia).

Fisher-Price, Inc., a subsidiary of Mattel, Inc., East Aurora, NY 14052 U.S.A.  
©2000 Mattel, Inc. All Rights Reserved.  
Fisher-Price, Larry-Boy and Larrymobile are trademarks of Mattel, Inc.

Printed in China  
77492a-0920



Model Number 77492

# Larrymobile™



Product features may vary from the picture above.

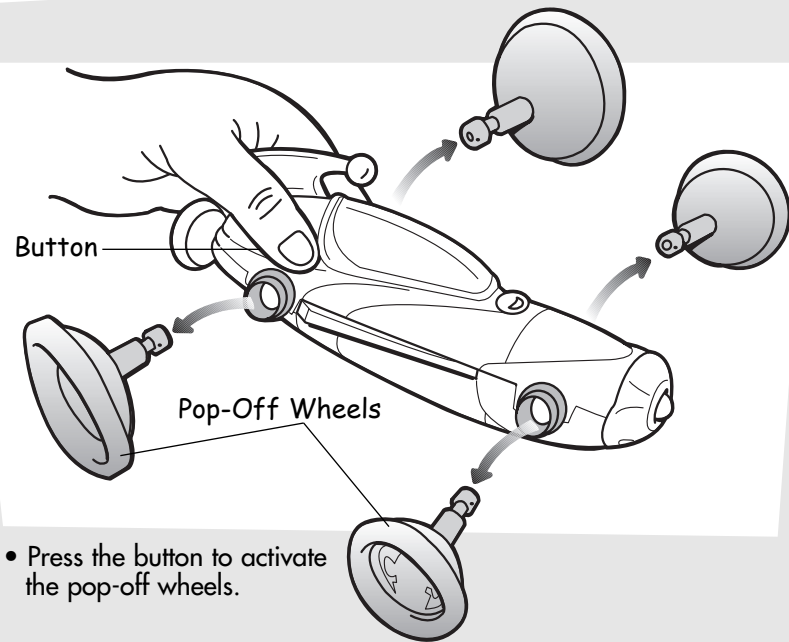
VeggieTales® is a registered trademark of Big Idea Productions, Inc.  
©2000 Big Idea Productions, Inc. All rights reserved.

Please save these instructions for future reference.  
No assembly is required.

Learn more about VeggieTales® at  
[www.BigIdea.com](http://www.BigIdea.com)

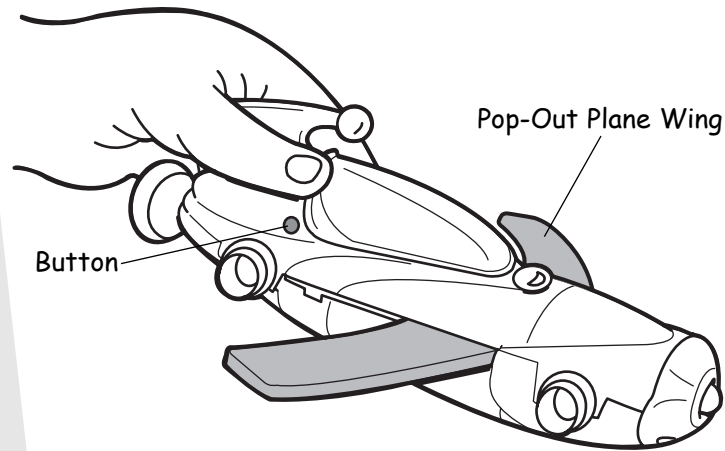
[www.fisher-price.com](http://www.fisher-price.com)

## Here comes the Larrymobile™



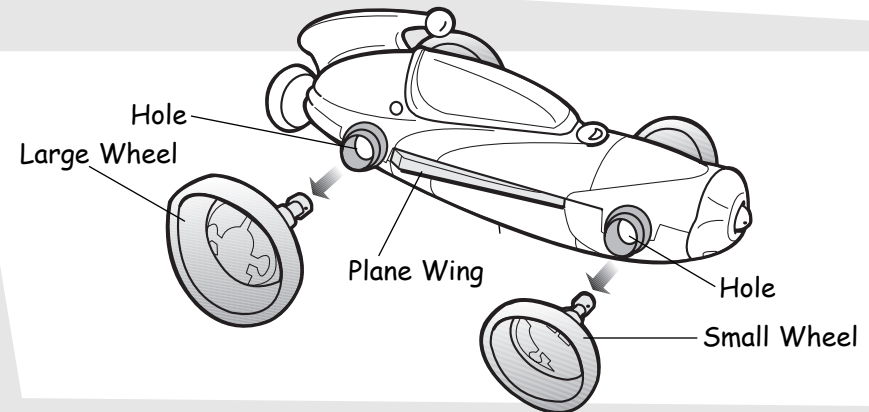
- Press the button to activate the pop-off wheels.

## Look out for the Larryplane



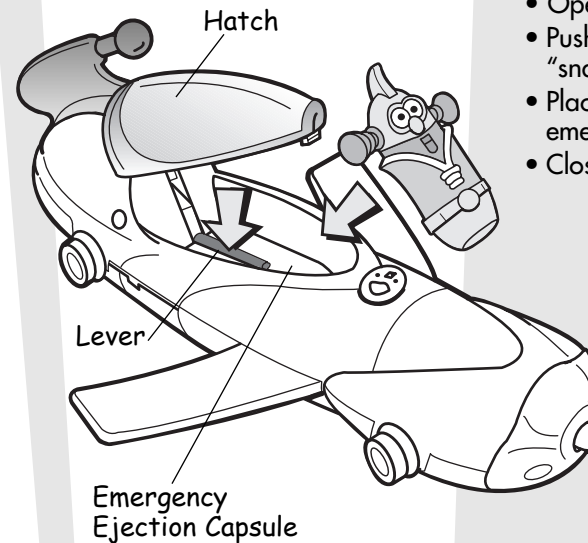
- Release the button to activate the pop-out plane wings.

## Re-attaching the Wheels



- Press both plane wings into the vehicle body until the wings "click" into place.
- Insert each small wheel into each hole in the front of the Larrymobile.
- Insert each large wheel into each hole in the back of the Larrymobile.
- Push each wheel in until you hear each wheel "click" into place.

## The Emergency Ejection Capsule



- Open the hatch.
- Push the lever down until it "snaps" into place.
- Place Larry-Boy inside the emergency ejection capsule.
- Close the hatch.