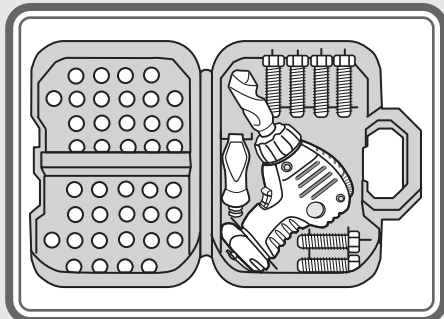
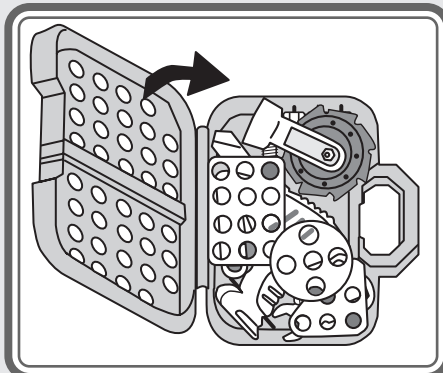


Clean Up!



- Store the drill with regular bit, the bolts and the screwdriver bit in their designated areas in one side of the tool kit.



- Place the remaining tools on top in the same side of the tool kit as shown above and close.

Care

Wipe this toy with a clean cloth dampened with a mild soap and water solution. Do not immerse this toy.

FCC Note (United States Only)

Tool Kit

Model Number 77812

Note: This equipment has been tested and found to comply with the limits for a Class B digital device, pursuant to Part 15 of the FCC Rules. These limits are designed to provide reasonable protection against harmful interference in a residential installation. This equipment generates, uses and can radiate radio frequency energy and, if not installed and used in accordance with the instructions, may cause harmful interference to radio communications. However, there is no guarantee that interference will not occur in a particular installation. If this equipment does cause harmful interference to radio or television reception, which can be determined by turning the equipment off and on, the user is encouraged to try to correct the interference by one or more of the following measures:

- Reorient or relocate the receiving antenna.
- Increase the separation between the equipment and receiver.
- Consult the dealer or an experienced radio/TV technician for help.

If you have any questions about this product:

In **CANADA**, Mattel Canada Inc. 6155 Freemont Blvd., Mississauga, Ontario L5R 3W2. Questions? **1-800-567-7724**

In **GREAT BRITAIN**, Mattel U.K., Ltd. Helpline: 01628 500303.

In **AUSTRALIA**, Mattel Australia Pty. Ltd., 658 Church Street, Locked Bag #870, Richmond, Victoria 3121 Australia. Consumer Advisory Service 1-800-800-812 (valid only in Australia).

Fisher-Price, Inc., is a subsidiary of Mattel, Inc., East Aurora, New York 14052, U.S.A.
©2000 Mattel, Inc. All Rights Reserved. © and ™ designate U.S. trademarks of Mattel, Inc.

Printed in China
77812pr-0920

Fisher-Price®

TOOL KIT

Instructions

Product Number 77812



Product features may vary from the photo above.

Please keep these instructions for future reference.
Requires two, "AA" batteries for operation (included).
Adult assembly is required for battery replacement.

Tool required to replace batteries: Phillips screwdriver (not included).

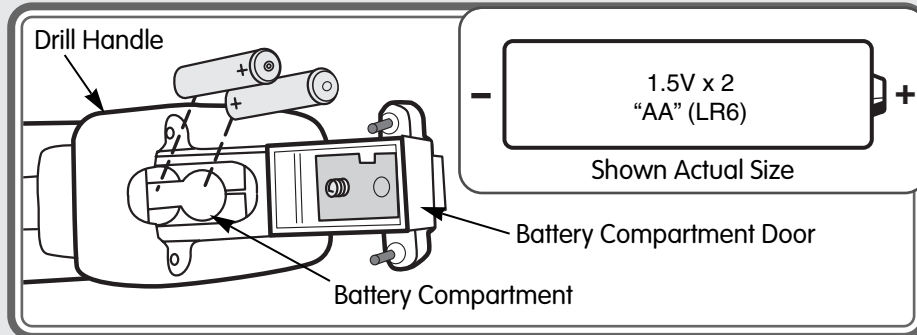
Questions? We'd like to hear from you!

Call Fisher-Price® Consumer Relations, toll-free at **1-800-432-KIDS**, 8 AM - 6 PM EST Monday through Friday. Hearing-impaired consumers using TTY/TTD equipment, please call 1-800-382-7470.
Or, write to: Fisher-Price® Consumer Relations, 636 Girard Avenue, East Aurora, New York 14052.

www.fisher-price.com

Battery Replacement

For best performance, we recommend replacing the batteries that came with this toy with two, new "AA" alkaline batteries.



- Locate the battery compartment door on the bottom of the drill handle.
- Loosen the screws in the battery compartment door with a Phillips screwdriver and remove the door.
- Carefully remove the exhausted batteries from the battery compartment. Properly discard the batteries.
- Insert two, new, "AA" alkaline batteries (LR6) in the battery compartment as indicated inside the battery compartment.

Helpful Hint: We recommend using alkaline batteries for longer battery life.

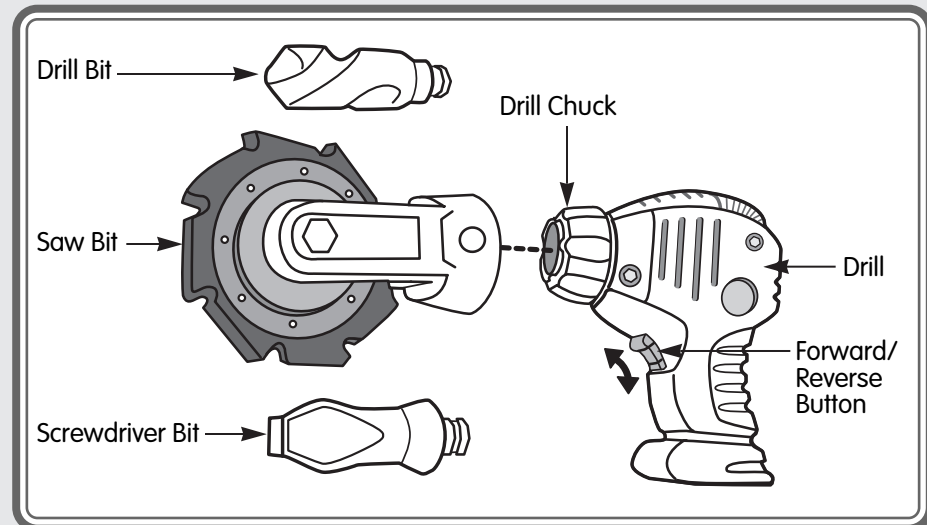
- Replace the battery compartment door and tighten the screws with a Phillips screwdriver. Do not over-tighten.

Battery Tips:

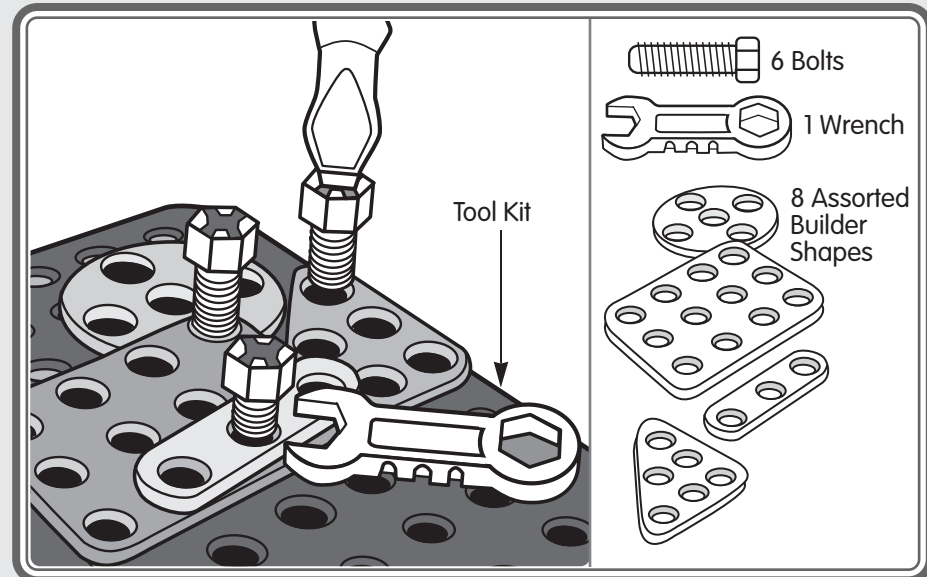
- Do not mix old and new batteries.
- Do not mix different types of batteries: alkaline, standard (carbon-zinc) or rechargeable (nickel-cadmium).
- Remove the batteries during long periods of non-use. Always remove exhausted batteries from the toy. Battery leakage and corrosion can damage this toy. Dispose of batteries safely.
- Never short circuit the battery terminals.
- Non-rechargeable batteries are not to be recharged.
- Only batteries of the same or equivalent type as recommended in the "Battery Replacement" instructions are to be used.
- If rechargeable batteries are used, they are only to be charged under adult supervision.
- Rechargeable batteries are to be removed from the toy before they are charged.
- If you use a battery charger, it should be examined regularly for damage to the cord, plug, enclosure and other parts. Do not use a damaged battery charger until it has been properly repaired.
- When sounds from the toy become faint or stop, it's time for an adult to change the batteries!



Building Fun



- Push and lock in one of the bits into the drill chuck.
- Press the forward/reverse button up or down to change direction of the motor.



- Use the side of the tool kit with holes in it as a workbench.
- Use the wrench or the drill with the screwdriver bit to drive in bolts.
- Drive bolts through the builder shapes to make different designs.

