



CATERPILLAR® Dump Truck

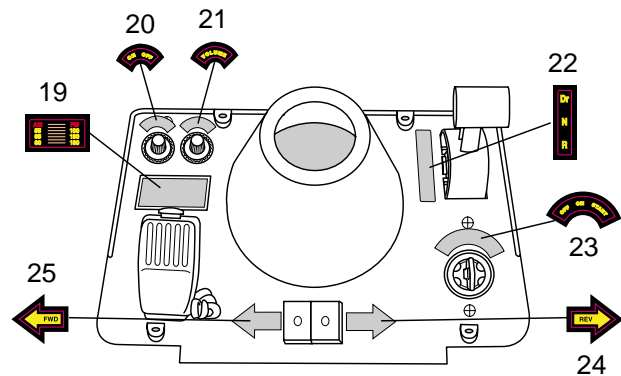
Model 78656

Label Decoration Instructions

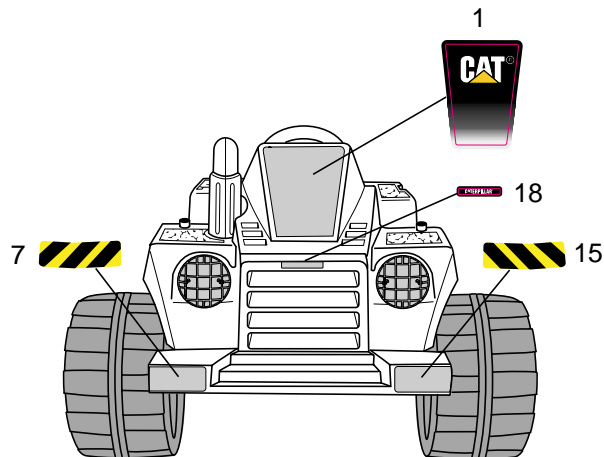
Decorate your assembled vehicle with the enclosed labels.

Proper label application will help to keep the labels looking their best! When applying labels, keep the following guidelines in mind:

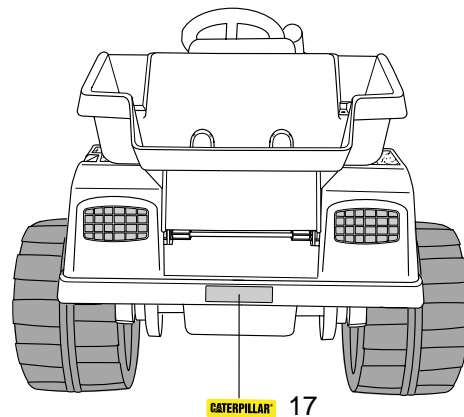
- Wash your hands before applying the labels.
- Before applying the labels, wipe the surface of the vehicle with a clean, dry cloth to remove any dust or oils.
- Place the labels exactly as shown in the illustrations.
- For best results, avoid repositioning a label once it has been applied to the vehicle.
- **After applying a label, rub the label firmly with a clean, dry cloth to make sure the label is adhered to your vehicle. Start at the center of a label, and smooth towards the outer edges to remove air bubbles.**



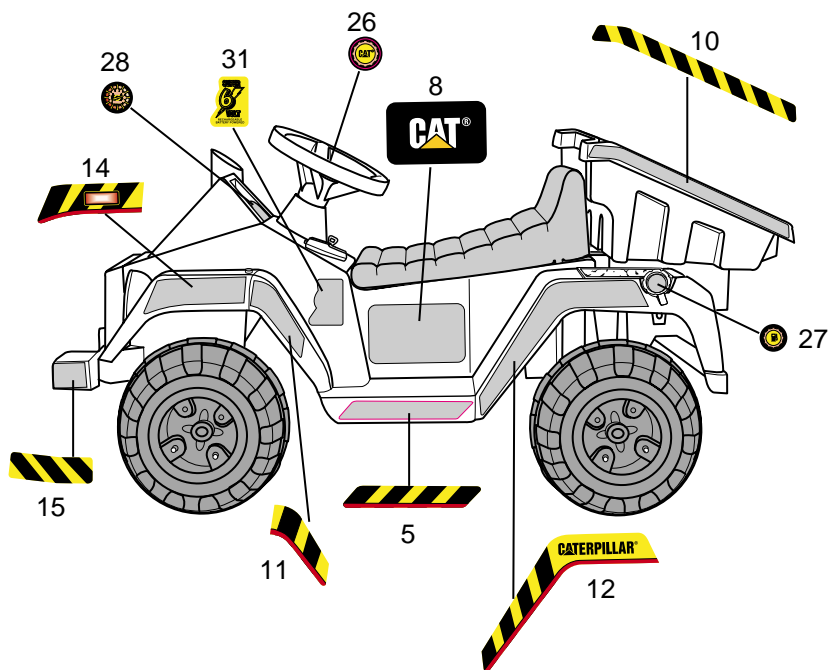
Dash View (Steering Wheel Removed)



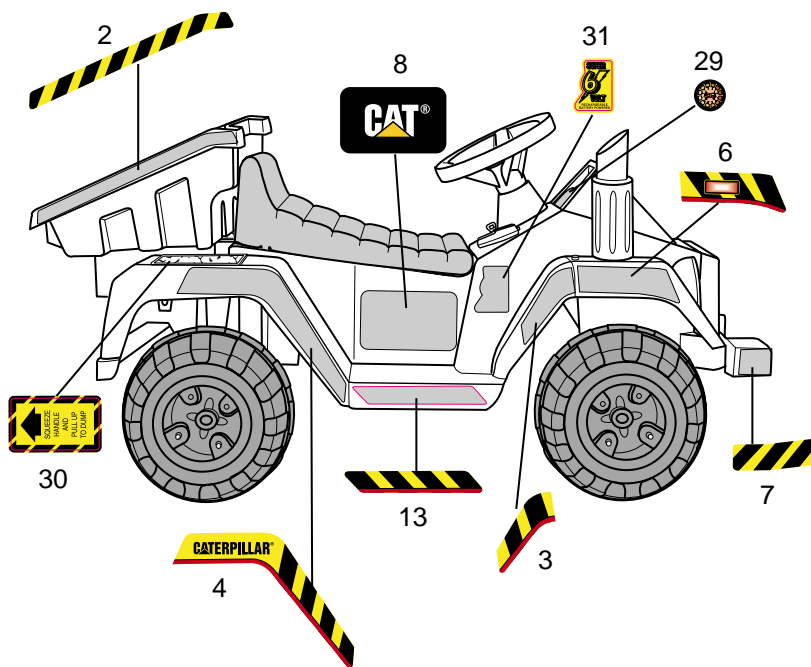
Front View



Rear View



Left Side



Right Side

Thank you for choosing Power Wheels® by Fisher-Price. For further information regarding safety, service or assembly of your vehicle, please call Power Wheels Consumer Affairs toll-free at **1-800-348-0751**.