

**Fisher-Price®**

# SOOTHING SOUNDS PORTABLE BASSINET

**Model Number: 79334,79336**

Please save these instructions for future reference.

Tool needed for assembly: Phillips Screwdriver (not included).

Requires one, size "C" (LR14) alkaline battery (not included) for the soothing unit.

Requires three, size "AA" (LR6) alkaline batteries (not included) for the sound unit.

Use only for a child who is unable to push up on hands and knees, pull up or sit unassisted.



# WARNINGS

## ⚠️ WARNING

**Failure to follow these warnings and the assembly instructions could result in serious injury or death.**

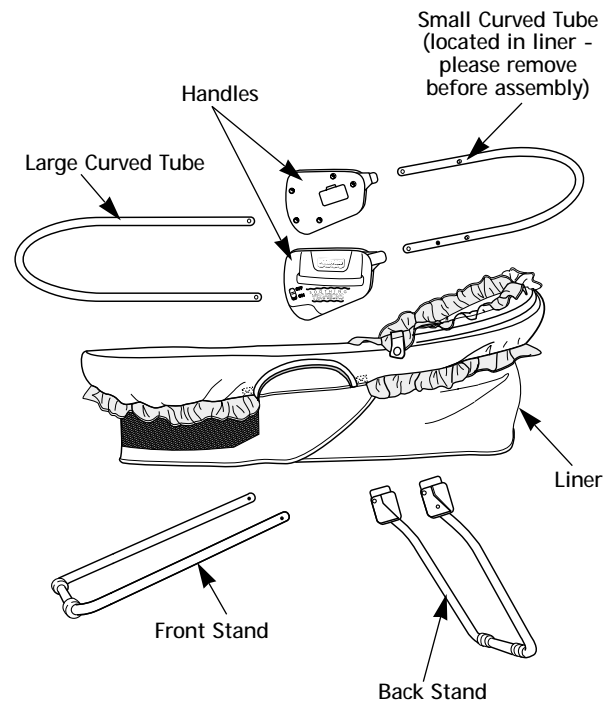
- Never leave child unattended.
- Never place product on an elevated surface.
- To prevent suffocation from entrapment, use only the Fisher-Price® pad provided. Never use additional padding or mattress.
- Never use plastic shipping bags or other plastic film as mattress covers. They can cause suffocation.
- To prevent falls, use only for a child who is unable to push up on hands and knees, pull up or sit unassisted.
- When used as an infant seat, to prevent falls, always use restraint.
- To prevent strangulation:
  - Never place items with a string, such as hood strings or pacifier cords, around child's neck.
  - Never place bassinet near a window where cords from blinds or drapes can strangle a child.
- Soothing Sounds Portable Bassinet must be fully erected prior to use.

# CONSUMER INFORMATION

Occasionally a consumer may experience a problem with one of our products. If this should happen, please call us, toll-free, rather than return the product to the store. Usually we can solve the problem over the telephone or by sending you replacement parts. Please call Fisher-Price® Consumer Affairs, toll-free at 1-800-432-KIDS, 8 AM - 5 PM EST Monday through Friday. Hearing-impaired consumers using TTY/TDD equipment, please call 1-800-382-7470. Or, write to: Fisher-Price® Consumer Affairs, 636 Girard Avenue, East Aurora, New York 14052.

# PARTS

**IMPORTANT!** Please remove all parts from the package and identify them before assembly.



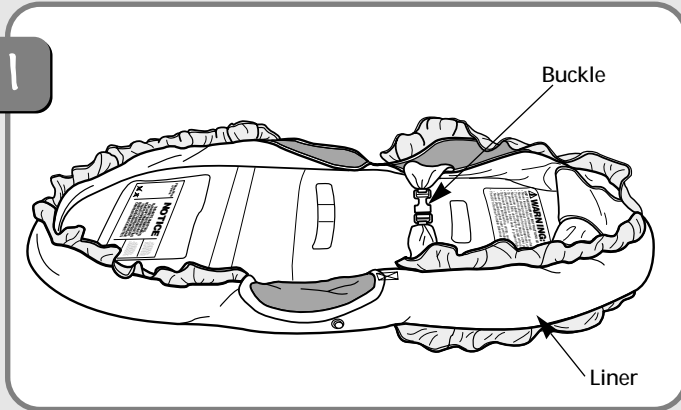
#8 x 1 1/4" Screw - 6  
Shown Actual Size

# ASSEMBLY

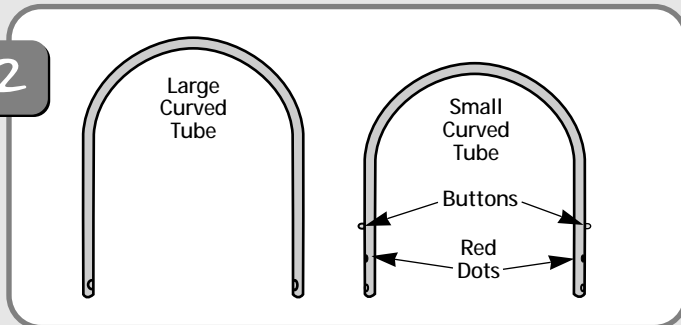
**IMPORTANT!** Before each usage or assembly, inspect this product for damaged hardware, loose joints, missing parts or sharp edges.

## ⚠ CAUTION

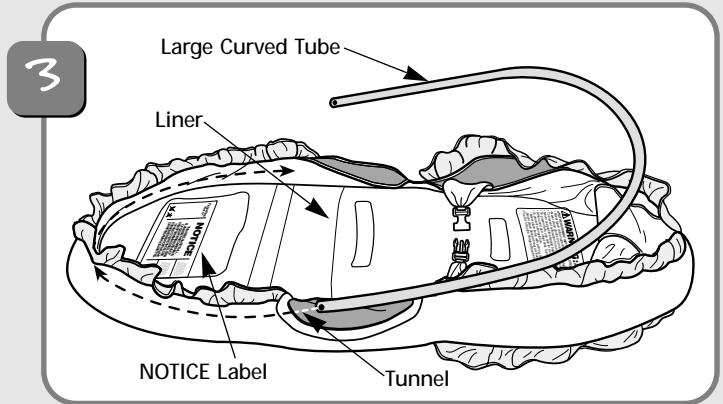
This package contains small parts.  
Adult assembly is required.



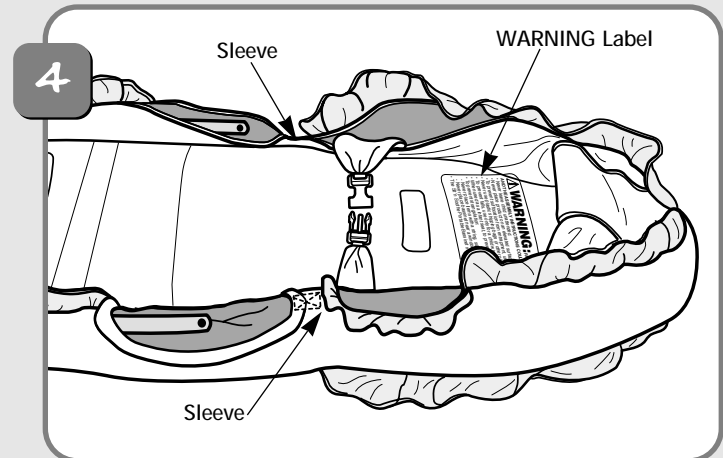
- Remove the small curved tube from the liner.
- Position the liner upside down on a flat surface.
- Unfasten the buckle.



- Identify the **large curved tube** without buttons and the **small curved tube** with buttons and red dots.



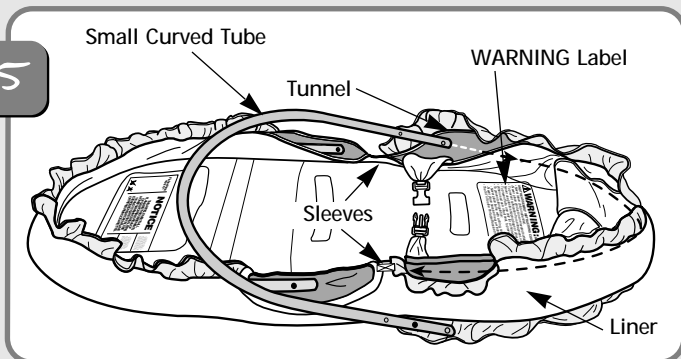
- Locate the tunnel in the liner near the **NOTICE label**.
- Insert the large curved tube through the tunnel in the liner near the **NOTICE label**.



- Note the locations of the sleeves, on each side of the liner, near the **WARNING label**.

# ASSEMBLY

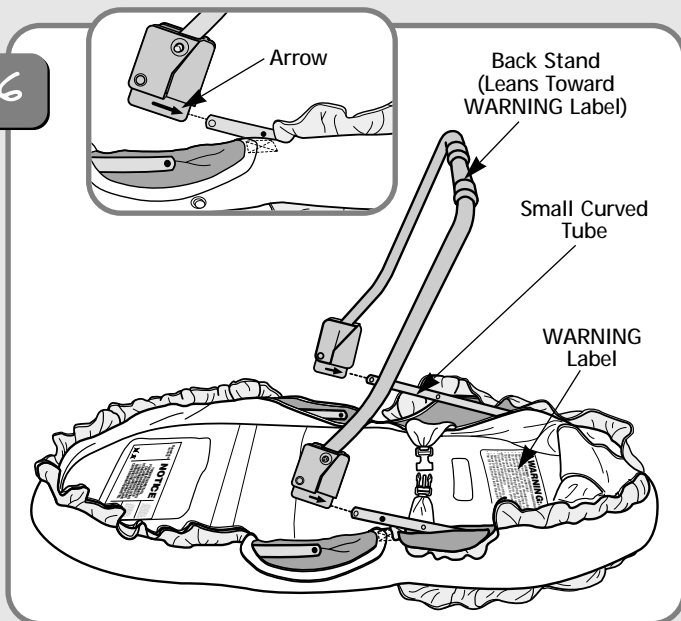
5



- Locate the tunnel in the liner near the **WARNING** label.
- Insert the **small curved tube** through the tunnel in the liner near the **WARNING** label.

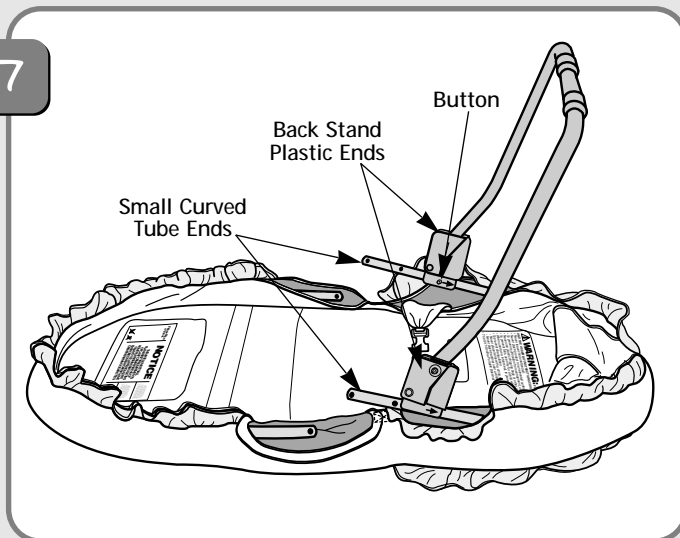
**IMPORTANT!** DO NOT yet insert the small curved tube through the sleeves in the liner.

6



- Position the back stand so that it leans toward the **WARNING** label on the liner. **Make sure the arrows on the ends of the back stand point toward the WARNING label.**
- Slide the ends of the back stand onto the ends of small curved tube.

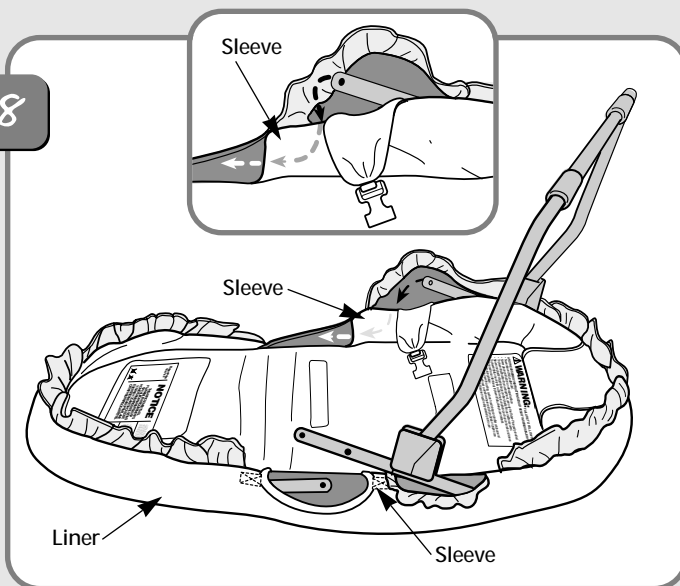
7



- Push the buttons on the ends of the small curved tube while sliding the back stand over the buttons. **Make sure the buttons "snap" into the holes in the plastic ends of the back stand.**

**IMPORTANT!** If you cannot slide the back stand completely onto the small curved tube (so that the buttons "snap" into the holes), you have probably assembled the back stand incorrectly. Turn the back stand around and re-read steps 6 and 7.

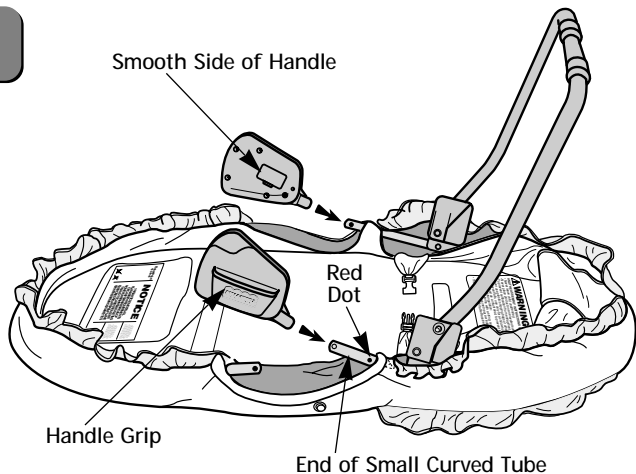
8



- Now, insert the ends of the small curved tube through the sleeves on each side of the liner.

# ASSEMBLY

9

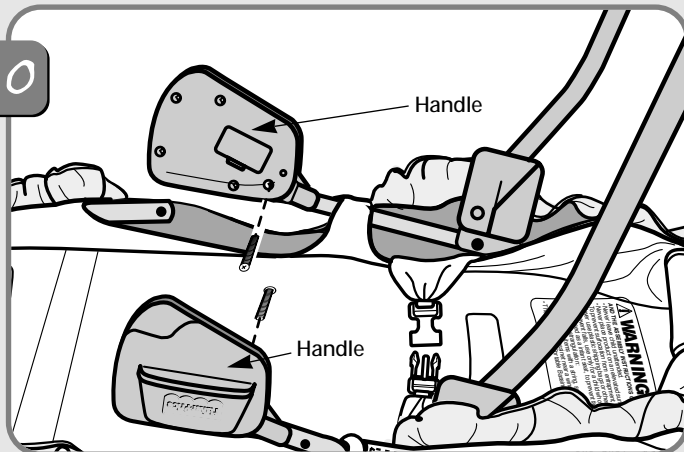


- Position a handle so that the handle grip is toward you. (The smooth side of the handle should be facing the liner.)
- Fit the end of the handle onto one of the ends of the small curved tube. Make sure the handle covers the red dot on the small curved tube.

**Helpful Hint:** The red dot on the small curved tube may be hidden by the liner. You may need to adjust the liner for a clearer view of the red dot.

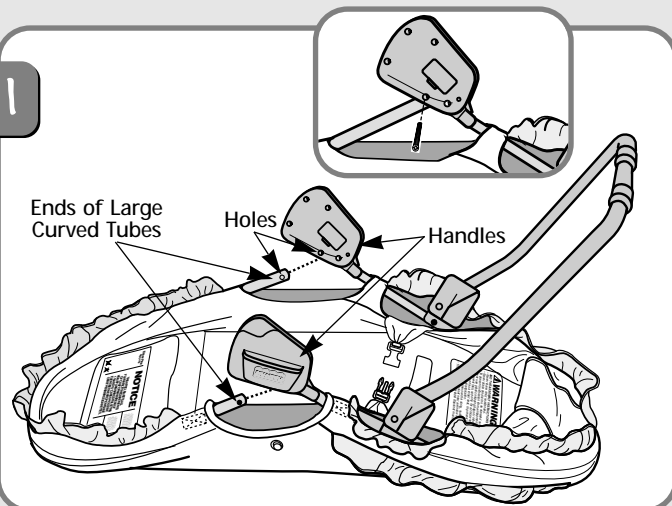
- Repeat this procedure to assemble the other handle.

10



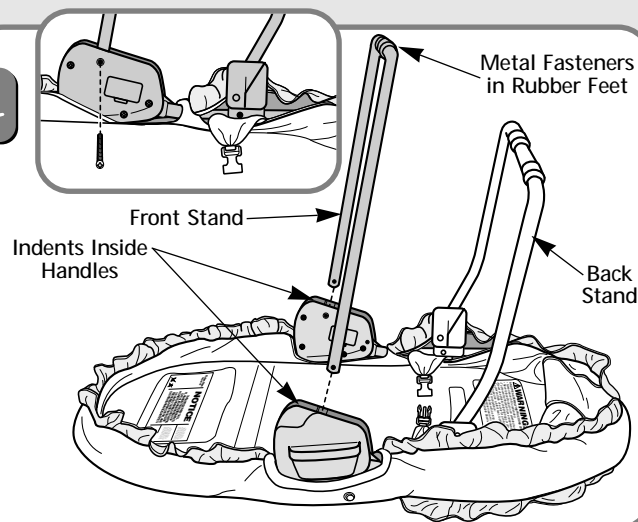
- Insert a screw through each handle and into the small curved tube. Tighten the screws with a Phillips screwdriver. Do not over-tighten.
- Pull on each handle to be sure they are properly secured to the small curved tube. If you can remove one or both, re-read steps 9 and 10.

11



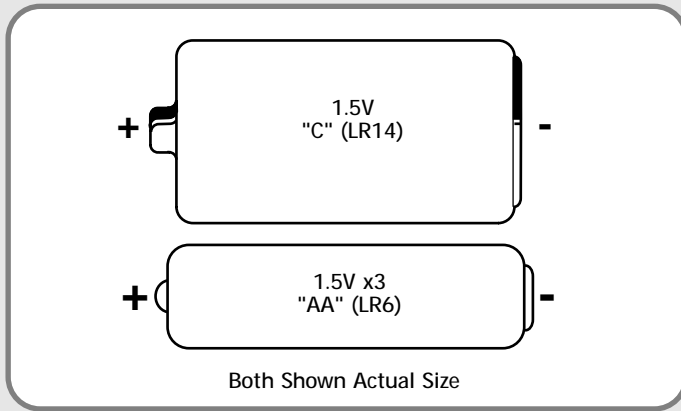
- At an angle, fit the ends of the large curved tubes into the handles. Align the holes in the ends of the large curved tube with the holes in the handles.
- Insert a screw through the inside of each handle and into the large curved tube. Tighten the screws with a Phillips screwdriver. Do not over-tighten.
- Pull on each handle to be sure they are properly secured to the large curved tube. If you can remove one or both, re-read this step.

12



- Position the front stand so that the metal fasteners in the rubber feet face the back stand.
- Fit the ends of the front stand into the indent inside each handle.
- Insert a screw through each handle and into the ends of the front stand. Tighten the screws with a Phillips screwdriver. Do not over-tighten.
- Pull the front stand to be sure it is properly secured to the handles. If you can remove it, re-read this step.

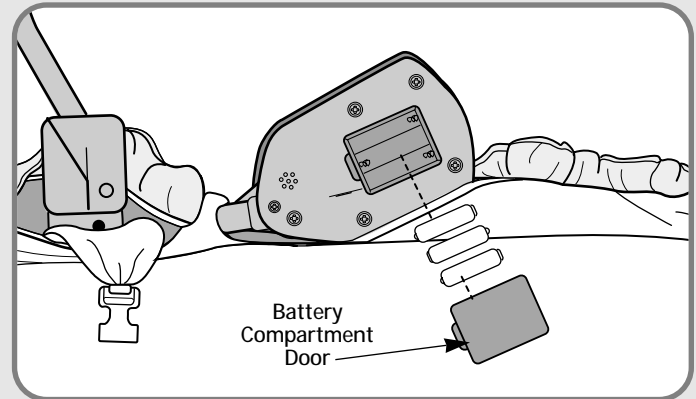
# BATTERY INSTALLATION



## Battery Tips

- Do not mix old and new batteries.
- Do not mix different types of batteries: alkaline, standard (carbon-zinc) or rechargeable (nickel-cadmium).
- Remove the batteries during long periods of non-use. Always remove exhausted batteries from the toy. Battery leakage and corrosion can damage this toy. Dispose of batteries safely.
- Never short circuit the battery terminals.
- Non-rechargeable batteries are not to be recharged.
- Only batteries of the same or equivalent type as recommended in the Battery Installation instructions are to be used.
- If removable rechargeable batteries are used, they are only to be charged under adult supervision.
- Rechargeable batteries are to be removed from the toy before they are charged.
- If you use a battery charger, it should be examined regularly for damage to the cord, plug, enclosure and other parts. Do not use a damaged battery charger until it has been properly repaired.

## Sound Unit

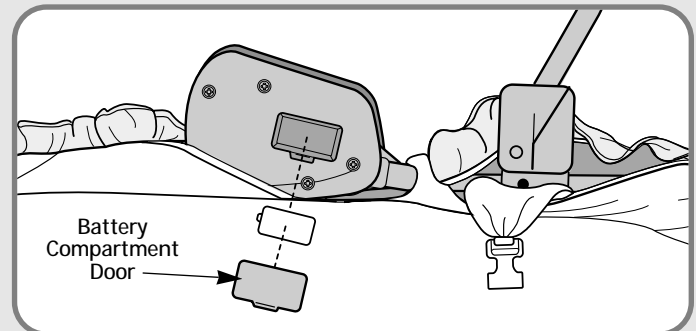


- Insert a coin (or the end of a flat end screwdriver) and remove the battery compartment door on the sound unit.
- Insert three, size "AA" (LR6) alkaline batteries as shown inside the battery compartment. Be sure to place the batteries on top of the ribbon.

**Hint:** For easy removal of the batteries, simply lift the ribbon.

- Replace the battery compartment door and "snap" it securely closed.

## Soothing Unit



- Insert a coin (or the end of a flat end screwdriver) and remove the battery compartment door on the soothing unit.
- Insert one, size "C" alkaline battery as shown inside the battery compartment.
- Replace the battery compartment door, and "snap" it securely closed.

# OPERATION AND USE

**IMPORTANT!** Before each usage or assembly, inspect this product for damaged hardware, loose joints, missing parts or sharp edges. Do not use if any parts are missing or broken. Contact Fisher-Price® for replacement parts and instructions if needed. Never substitute parts.

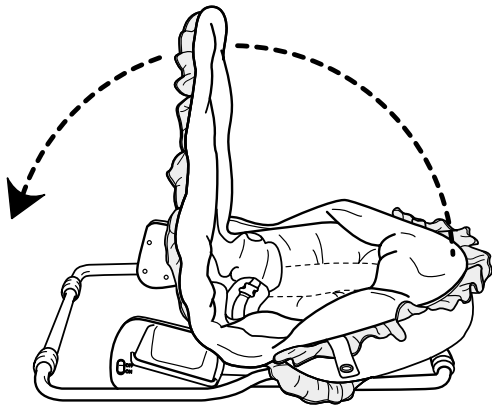
## **WARNING**

- Never place product on an elevated surface.
- To prevent strangulation:
  - Never place items with a string, such as hood strings or pacifier cords, around child's neck.
  - Never place bassinet near a window where cords from blinds or drapes can strangle a child.

To Unfold

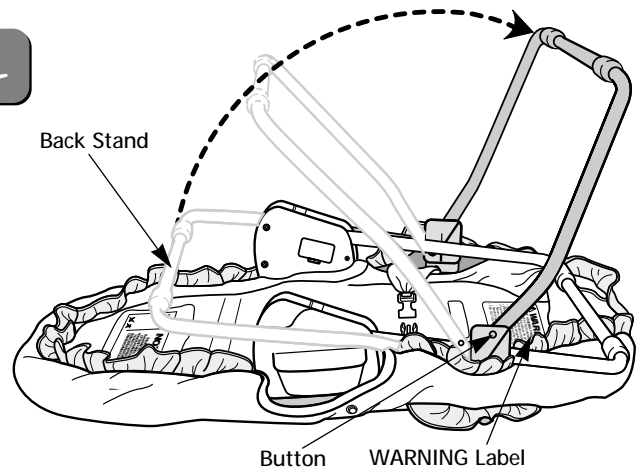
## **WARNING**

Soothing Sounds Portable Bassinet must be fully erected prior to use.



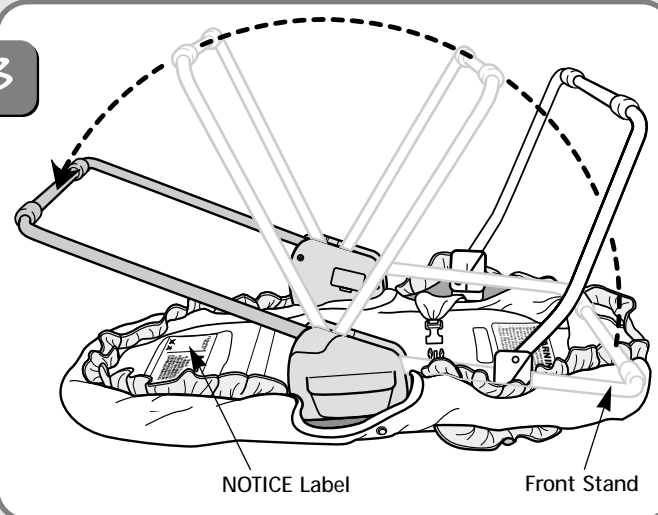
- Place the bassinet on a flat surface to open it.

2



- Turn the bassinet face down.
- Pull the back stand toward the **WARNING** label on the liner until the buttons "snap" into place.

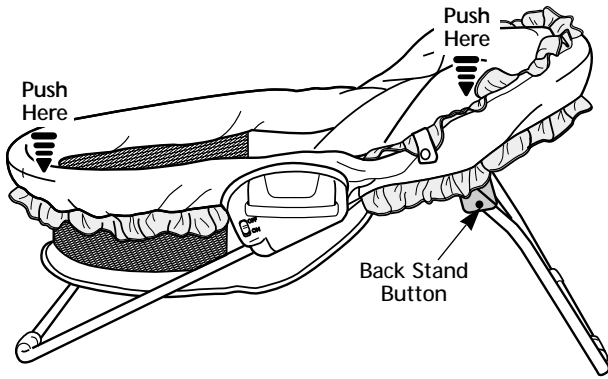
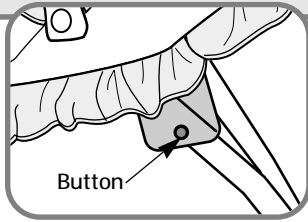
3



- Pull the front stand toward the **NOTICE** label on the liner.

# OPERATION AND USE

4



- Turn the bassinet upright. Check to be sure the bassinet is fully erect.
- Push down on the bassinet. Make sure the buttons on the back stand are “snapped” into place.

## When Putting Baby to Sleep\*

- Normal, healthy infants should **ALWAYS** sleep on their backs.
- Quilts, comforters and blankets should **NEVER** be placed under an infant.
- **NEVER** place any covering higher than an infant's shoulders.
- **NEVER** place infants to sleep on pillows, sofa cushions, adult beds, waterbeds, beanbags, or any other surface not specifically designed for infant sleep.
- Do not overdress your baby. If you feel comfortable, your baby will too.

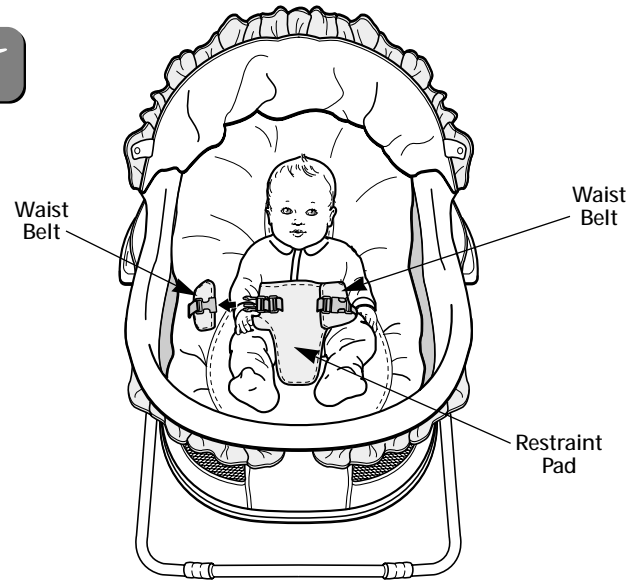
\*This important safety message is brought to you by the Juvenile Products Manufacturers Association.

## Restraint System

### **WARNING**

- Never leave child unattended.
- To prevent falls, use only for a child who is unable to push up on hands and knees, pull up or sit unassisted.
- When used as an infant seat, to prevent falls, always use restraint.

5



- Place your baby in the bassinet.
- Position the restraint pad between your baby's legs.
- Fasten both waist belts to the buckles on each side of the restraint pad. Make sure you hear a “click” on both sides.
- Check to be sure the restraint is securely attached by pulling it away from your baby. The restraint should remain attached.



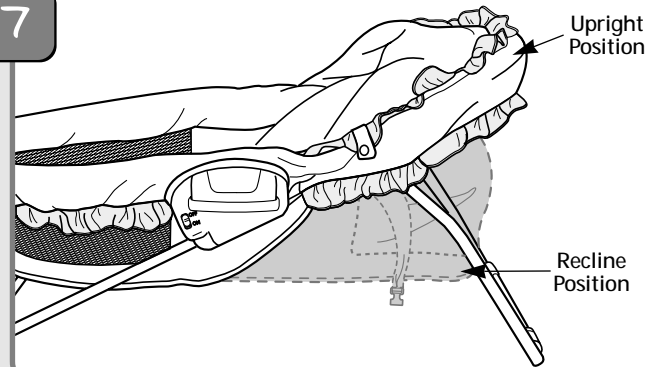
# OPERATION AND USE

6



## Bassinet Position Adjustment

7

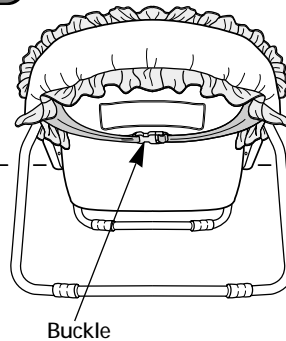


- You can adjust the bassinet to an **upright** or **recline** position for baby's comfort.

8

UPRIGHT

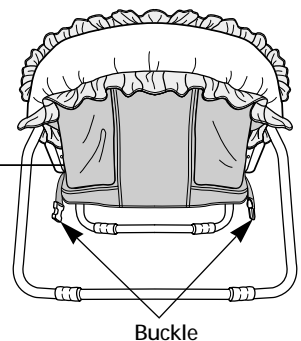
Back of Liner



Buckle

RECLINE

Back of Liner



Buckle

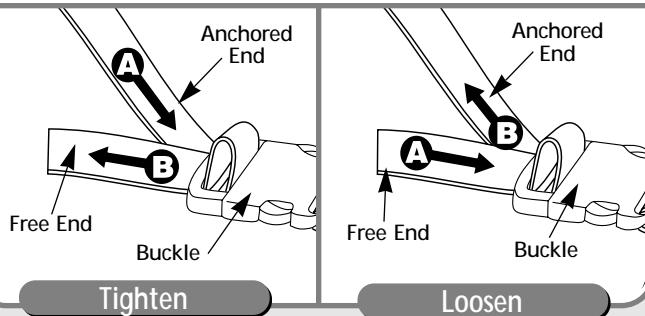
Back View

### To adjust the bassinet to upright:

- Lift the back of the liner and then fasten the buckle. **Make sure you hear a "click"**.

### To adjust the bassinet to recline:

- Support the back of the liner with your hand, unfasten the buckle and guide the back of the liner down into position.



Tighten

Loosen

### To tighten the waist belts:

- Feed the anchored end of the waist belt up through the buckle to form a loop **A**.
- Pull the free end of the waist belt **B**.
- Repeat this procedure to tighten the other waist belt.

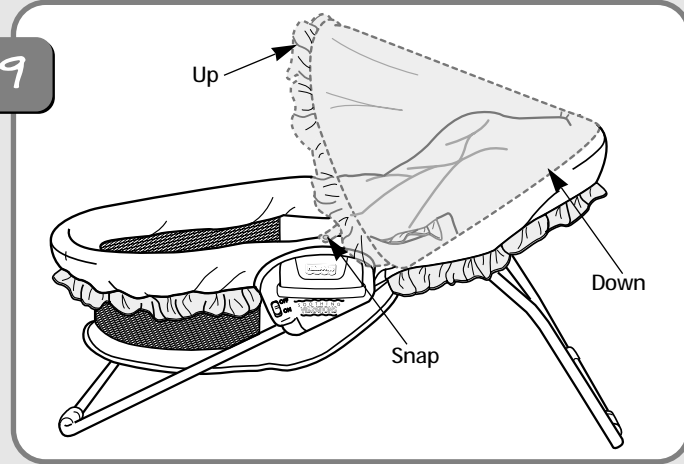
### To loosen the waist belts:

- Feed the free end of the waist belt up through the buckle to form a loop **A**.
- Enlarge the loop by pulling on the end of the loop toward the buckle.
- Pull the anchored end of the waist belt to shorten the free end of the waist belt **B**.
- Repeat this procedure to loosen the other waist belt.

**Note:** After adjusting the waist belts to fit your child, make sure you pull on them to be sure they are securely fastened.

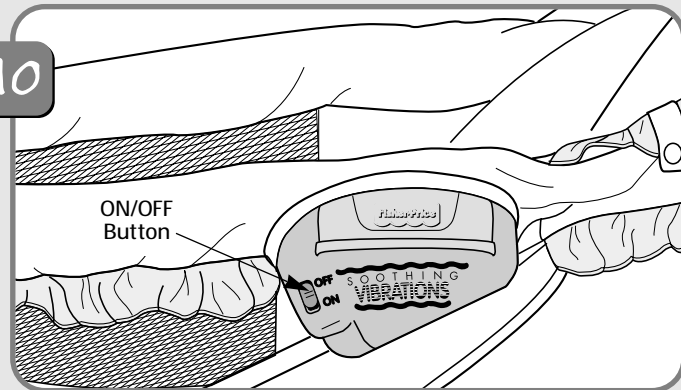
# OPERATION AND USE

## Canopy Adjustment



- The canopy can be adjusted up or down.
- Fasten the snap on each side of the canopy for the up position.

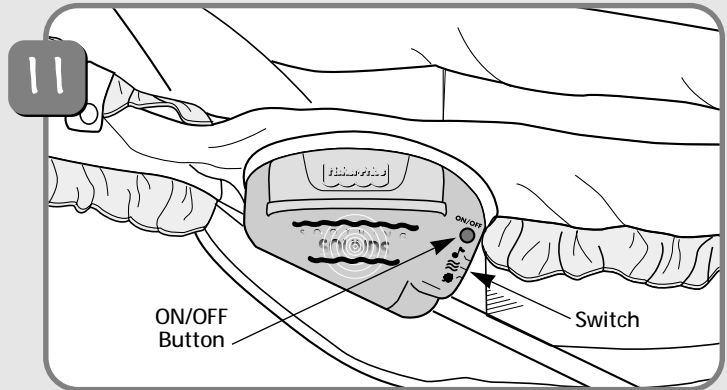
## Soothing Vibrations



- Slide the ON/OFF button to the ON position to start soothing vibrations.
- Slide the ON/OFF button to the OFF position to turn off soothing vibrations.

**IMPORTANT!** If soothing vibrations become noticeably slower, replace the battery with a new, size "C" alkaline battery (see page 6, Battery Installation).

## Soothing Sounds



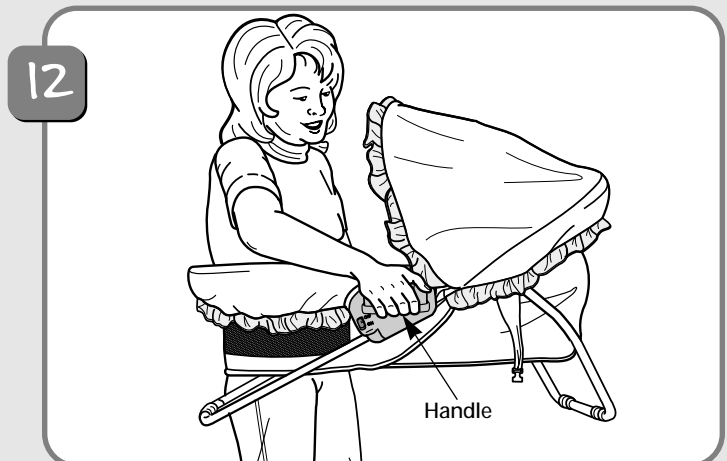
- First, slide the switch to select a soothing sound.
  - Plays five lullabies.
  - Listen to the sea shore (rolling waves).
  - Hear nature sounds (crickets and soft chirping).
- Then, press the ON/OFF button to turn soothing sounds on.

**Hint:** After each soothing sound selection, be sure to press the ON/OFF button again to turn soothing sounds on.

- Press the ON/OFF button to turn soothing sounds off.
- Soothing sounds will shut off automatically after 10 minutes of play. To turn back on, simply press the ON/OFF button.

**IMPORTANT!** If soothing sounds become faint or you cannot hear sound at all, replace the batteries with three, new, size "AA" alkaline batteries (see page 6, Battery Installation).

## Portability

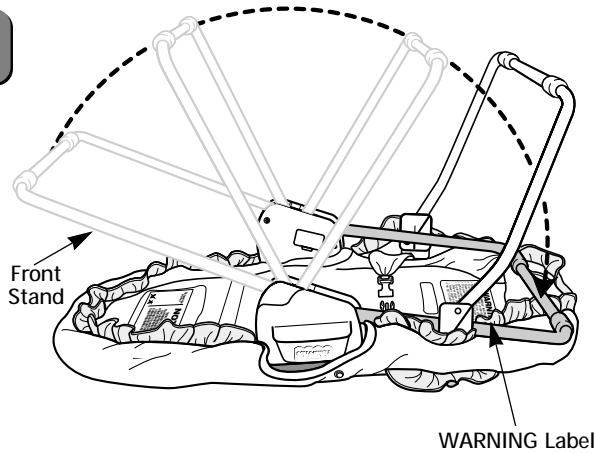


- Grasp the handles on each side of the bassinet to carry.

# OPERATION AND USE

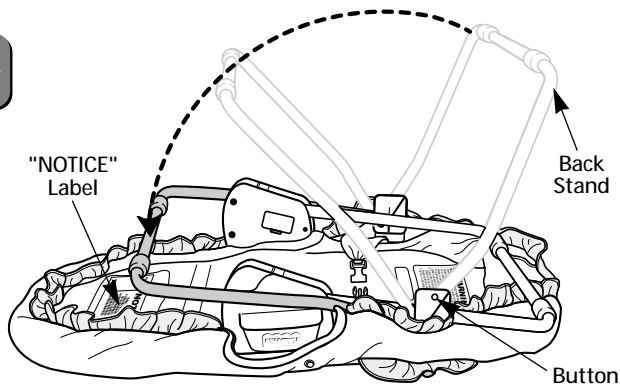
## To Fold

13



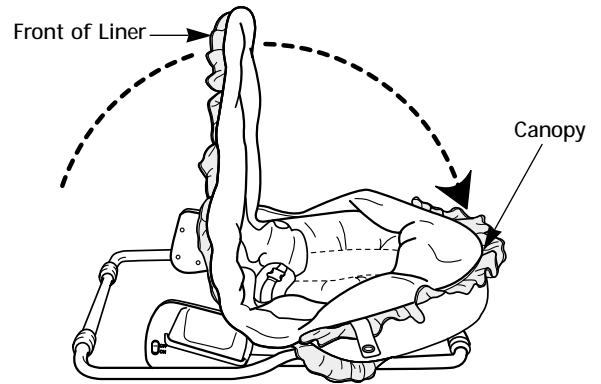
- Turn the bassinet face down on a flat surface.
- Rotate the front stand toward the **WARNING** label on the liner.
- Push down on the front stand to snap it into place.

14



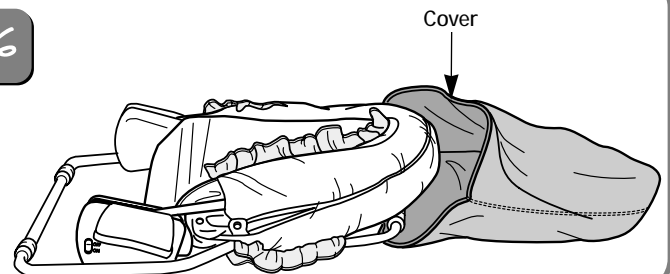
- Press the button on each side of the back stand and push the back stand toward the **NOTICE** label on the liner.
- Push down on the back stand to snap it into place.

15



- Turn the bassinet upright.
- Fold the front of the liner toward the canopy.

16

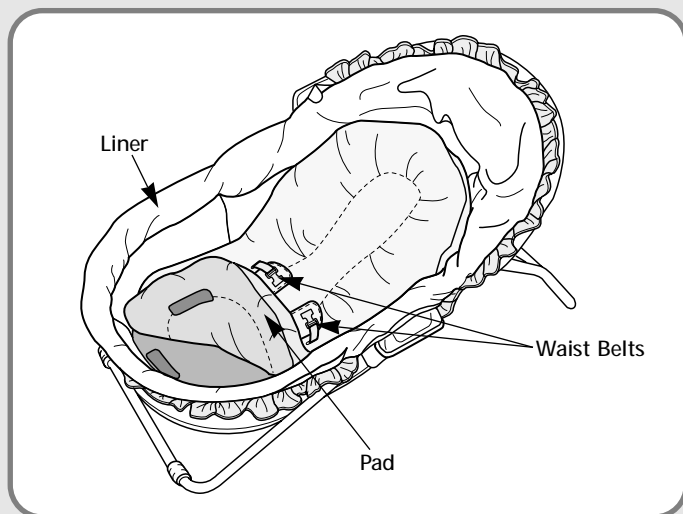


- Remove the cover from the pocket on the back of the liner.
- Fit the bassinet into the cover.

# CARE

- Machine wash the pad and cover in cold water and a mild detergent. Do not use bleach. Tumble dry on low heat and remove promptly.
- Surface wash the frame, liner and restraint system with a mild detergent and water. Do not use bleach. Do not use harsh or abrasive cleaners. Rinse clean with water to remove residue.

## To Remove the Pad



- Feed the waist belts down through the slots in the pad.
- Unfasten the fasteners on the pad from the liner.

## To Re-assemble the Pad

### **WARNING**

- To prevent suffocation from entrapment, use only the Fisher-Price® pad provided. Never use additional padding or mattress.
- Never use plastic shipping bags or other plastic film as mattress covers. They can cause suffocation.

- Position the pad into the liner.
- Feed the waist belts up through the slots in the pad.
- Press to fasten the fasteners on the pad to the liner.

## FCC Statement (United States Only)

**Note:** This equipment has been tested and found to comply with the limits for a Class B digital device, pursuant to Part 15 of the FCC Rules. These limits are designed to provide reasonable protection against harmful interference in a residential installation. This equipment generates, uses and can radiate radio frequency energy and, if not installed and used in accordance with the instructions, may cause harmful interference to radio communications. However, there is no guarantee that interference will not occur in a particular installation. If this equipment does cause harmful interference to radio or television reception, which can be determined by turning the equipment off and on, the user is encouraged to try to correct the interference by one or more of the following measures:

- Reorient or relocate the receiving antenna.
- Increase the separation between the equipment and receiver.
- Consult the dealer or an experienced radio/TV technician for help.

## One (1) Year Limited Warranty

Fisher-Price, Inc., 636 Girard Avenue, East Aurora, New York 14052 warrants that the Soothing Sounds Portable Bassinet is free from all defects in material and workmanship when used under normal conditions for a period of one (1) year from the date of purchase. Should the product fail to perform properly, we will repair or replace it at our option, free of charge. Purchaser is responsible for shipping the product to Fisher-Price Consumer Affairs at the address indicated above and for all associated freight and insurance cost. Fisher-Price, Inc. will bear the cost of shipping the repaired or replaced item to you. This warranty is void if the owner repairs or modifies the product. This warranty excludes any liability other than that expressly stated above including but not limited to any incidental or consequential damages.

**SOME STATES DO NOT ALLOW THE EXCLUSION OR LIMITATION OF INCIDENTAL OR CONSEQUENTIAL DAMAGES, SO THE ABOVE LIMITATION OR EXCLUSION MAY NOT APPLY TO YOU. THIS WARRANTY GIVES YOU SPECIFIC LEGAL RIGHTS, AND YOU MAY ALSO HAVE OTHER RIGHTS WHICH MAY VARY FROM STATE TO STATE.**