

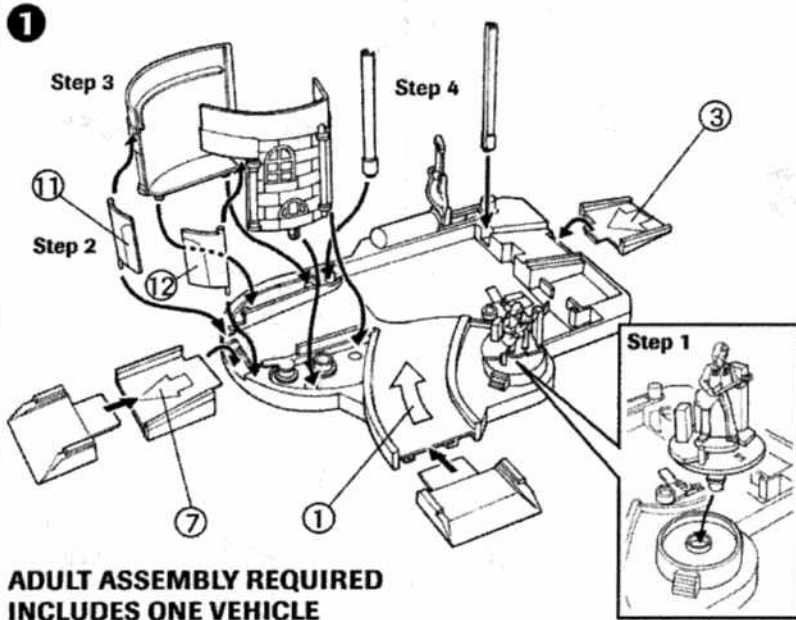


ROCK & ROLL CAFE

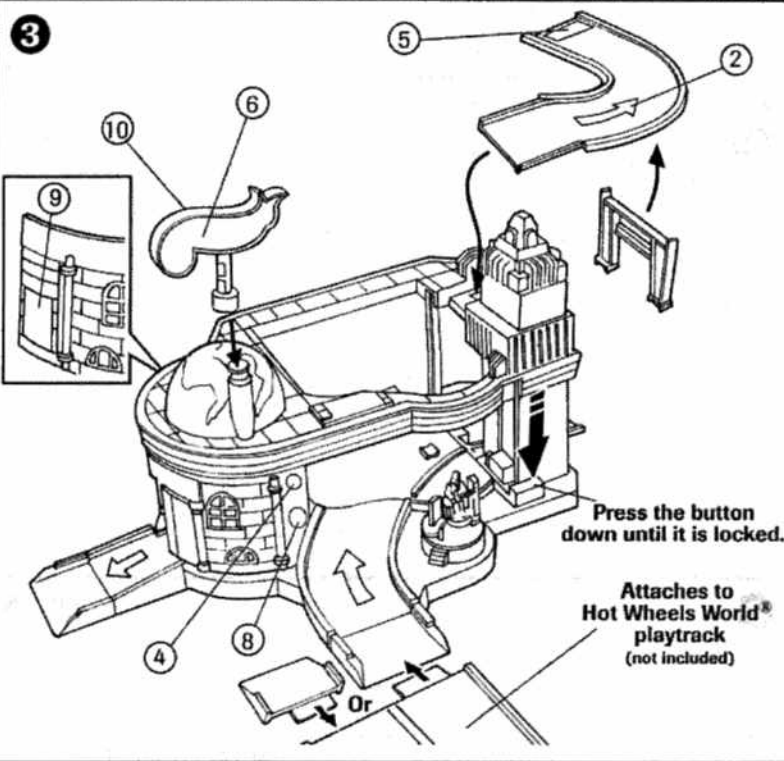
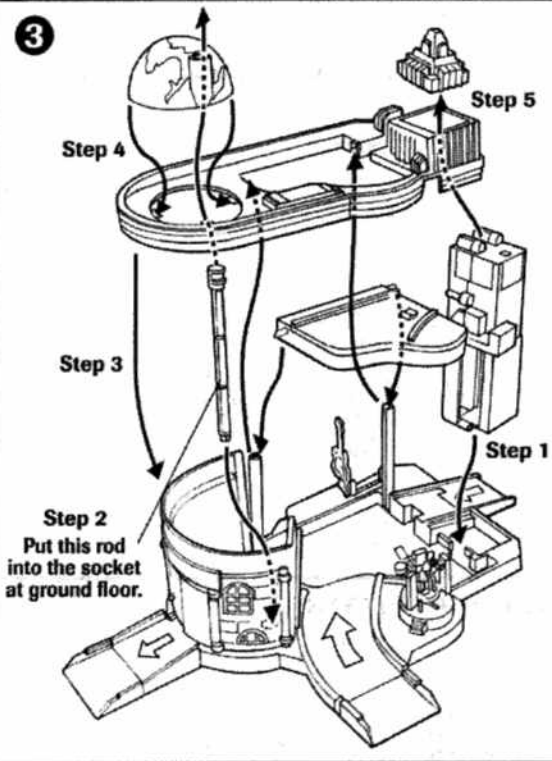
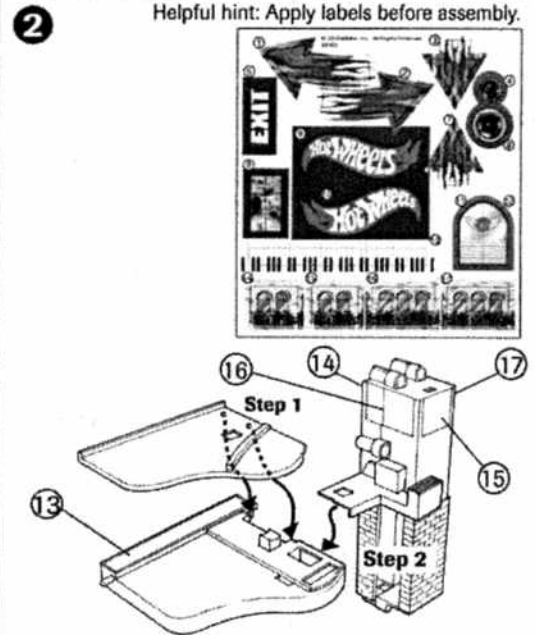
ROCK IN, ROLL THROUGH, BUST OUT!

Please keep these instructions for future reference as they contain important information.

TO ASSEMBLY AND LABEL



ADULT ASSEMBLY REQUIRED
INCLUDES ONE VEHICLE



NOT FOR USE WITH SOME
HOT WHEELS® VEHICLES

WARNING:
CHOKING HAZARD - Small parts.
Not for children under 3 years.

2-YEAR LIMITED WARRANTY

Mattel, Inc. warrants to the original consumer purchaser that this product will be free from defects in materials or workmanship for 2 years (unless otherwise specified in alternate warranties) from the date of purchase. If defective, return the product along with proof of the date of purchase, postage prepaid, to Consumer Adjustment Center, 15930 E. Valley Boulevard, City of Industry, CA 91744 for replacement or refund at our option. This warranty does not cover damage resulting from unauthorized modification, accident, misuse or abuse. **VALID ONLY IN U.S.A.** This warranty gives you specific legal rights and you may also have other rights which vary from state to state.

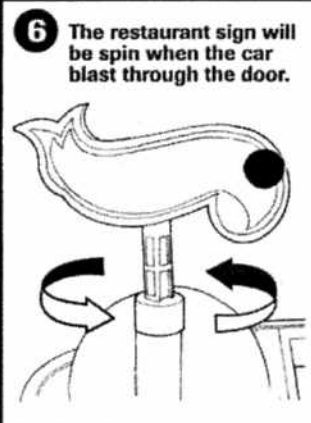
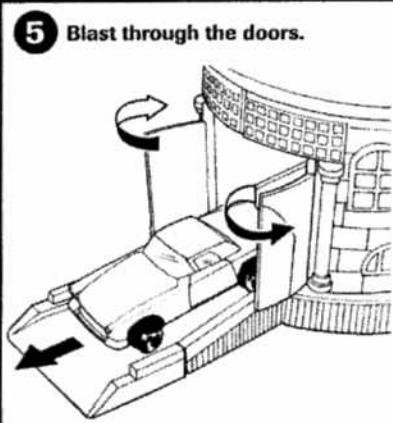
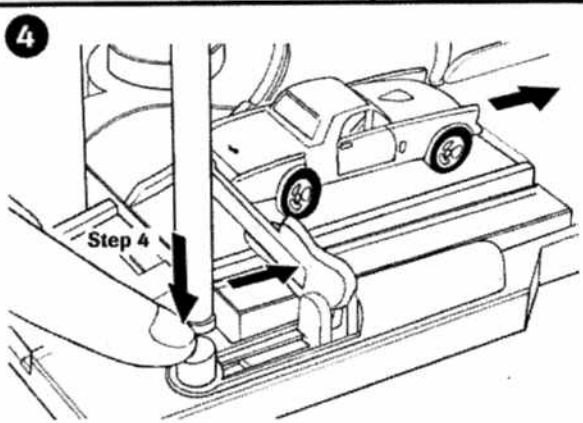
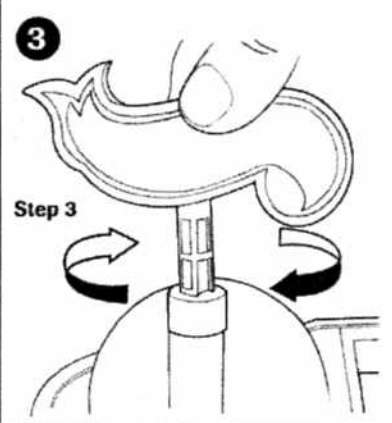
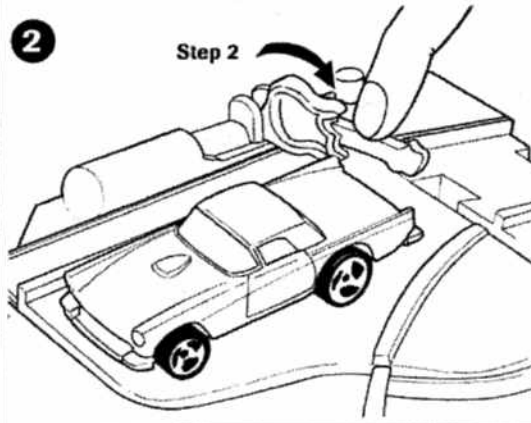
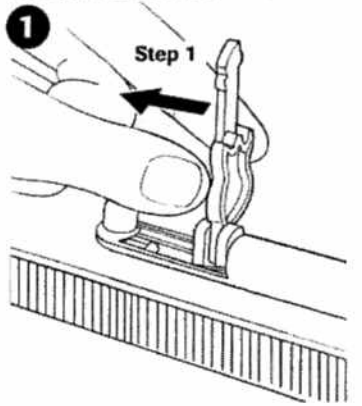


HOT WHEELS® and associated trademarks are owned by Mattel, Inc.
© 2000 Mattel, Inc. All Rights Reserved.
Helpline 01628500303

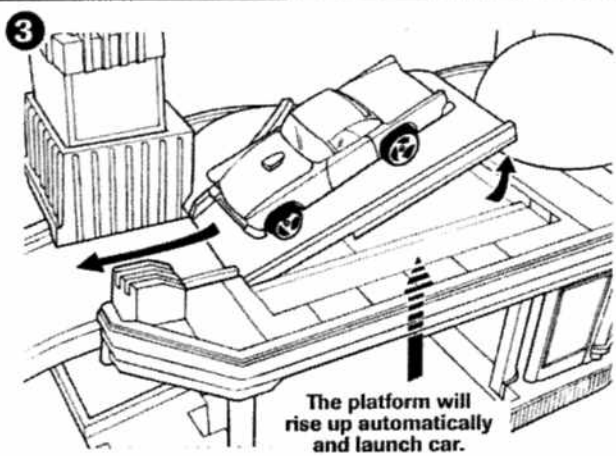
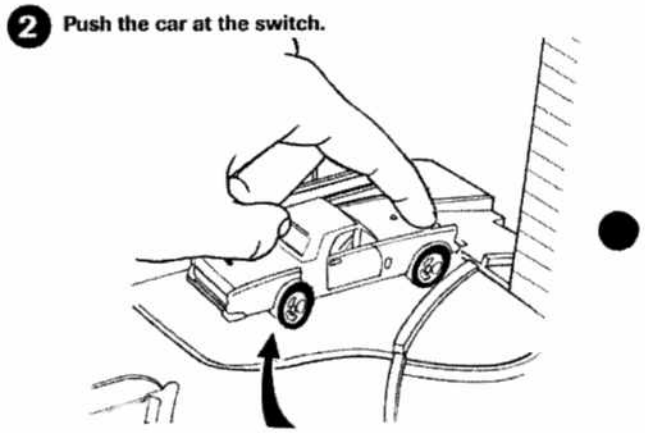
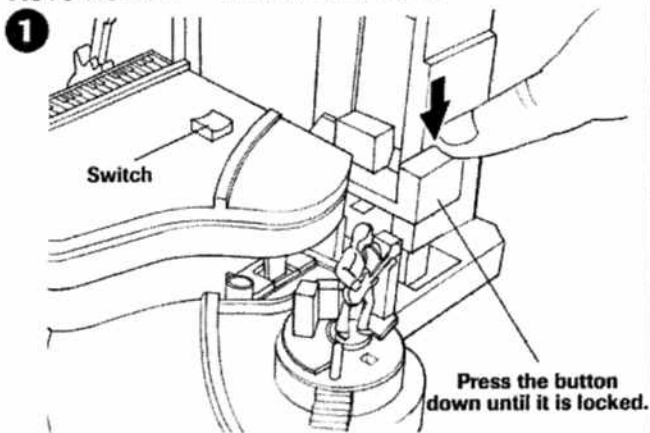
88463-31401-RC1
PRINTED IN CHINA

TO PLAY

CAR LAUNCHER



AUTO ACTION™ - PIANO ELEVATOR



SPINNING GUITAR PLAYER

