



# HOT ROD BOULEVARD PLAYTRACK

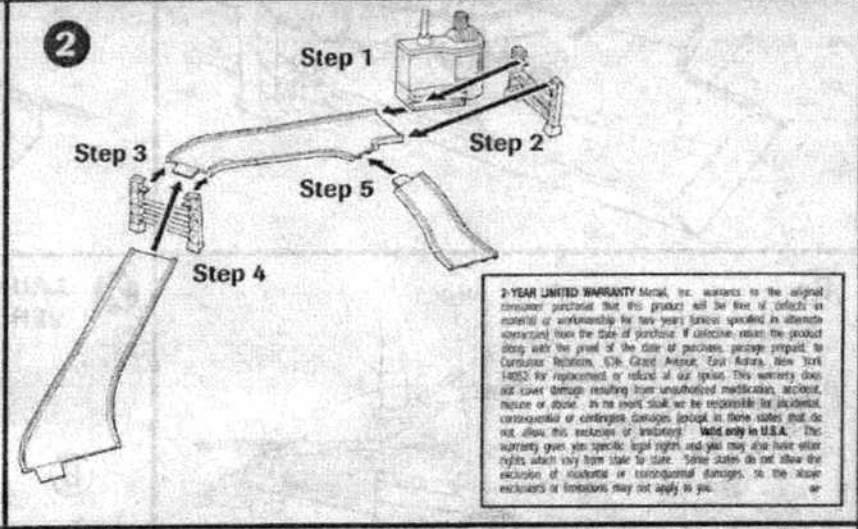
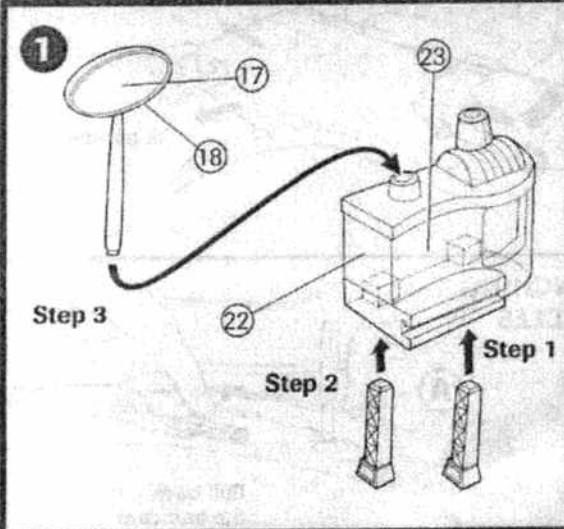
SIDE-BY-SIDE RACING ACTION!

**WARNING:**  
CHOKING HAZARD - Small parts.  
Not for children under 3 years.

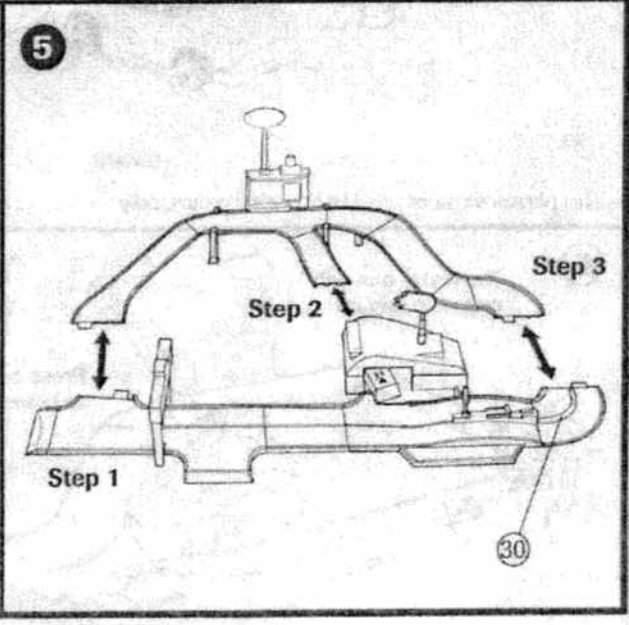
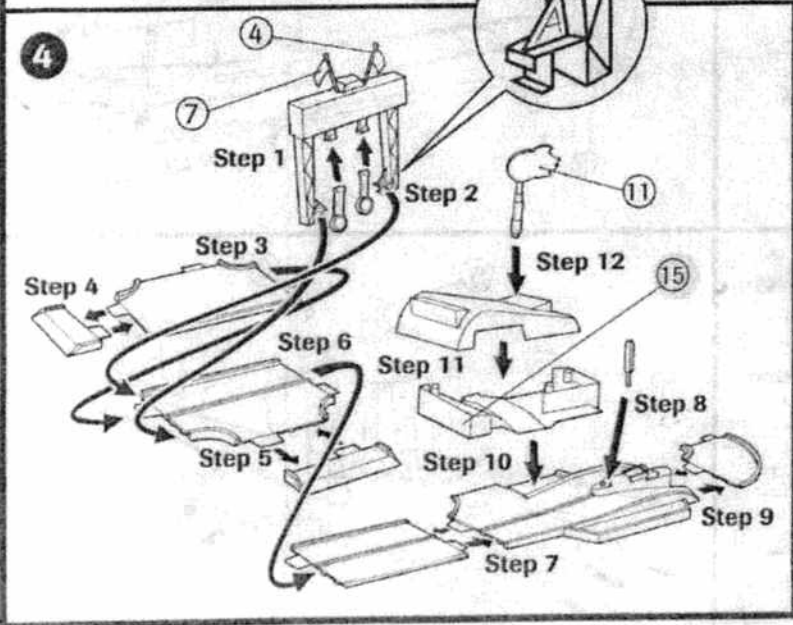
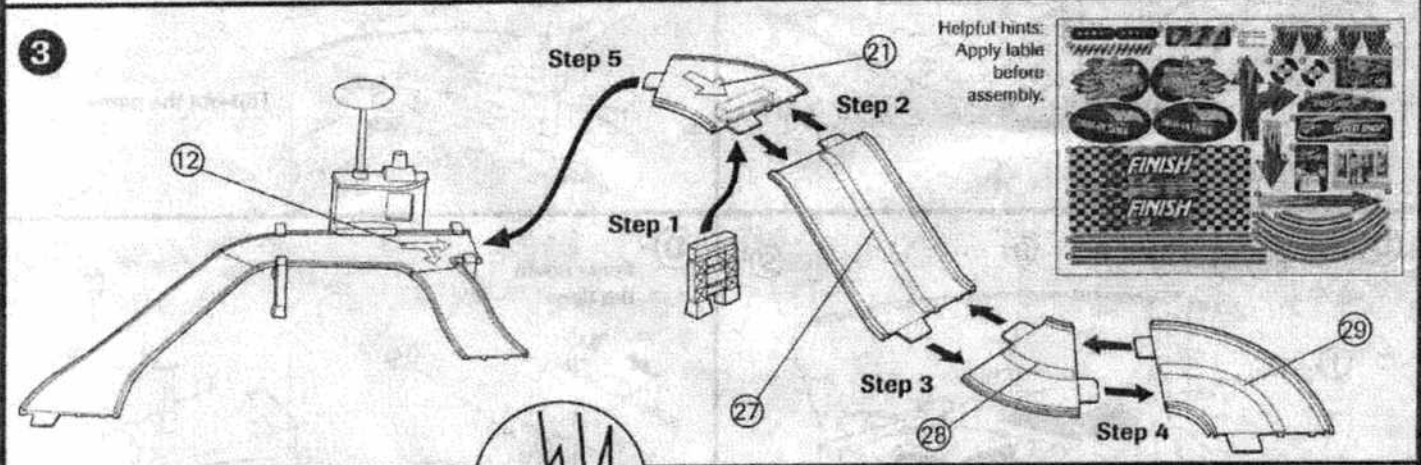
Please keep these instructions for future reference, as they contain important information.

**ADULT ASSEMBLY REQUIRED**

## TO ASSEMBLE



**2-YEAR LIMITED WARRANTY** Mattel, Inc. warrants to the original consumer purchaser that this product will be free of defects in material or workmanship for two years (unless specified in alternate warranty) from the date of purchase. If defective, return the product along with the proof of the date of purchase, postage prepaid, to Consumer Relations, 678 Grand Avenue, East Aurora, New York 14052 for replacement or refund at our option. This warranty does not cover damage resulting from unauthorized modification, accident, misuse or abuse. In no event shall we be responsible for incidental, consequential or punitive damages, except in those states that do not allow this restriction of warranty. Void only in U.S.A. This warranty gives you specific legal rights and you may also have other rights which vary from state to state. Some states do not allow the exclusion of incidental or consequential damages, so the above exclusions or limitations may not apply to you.

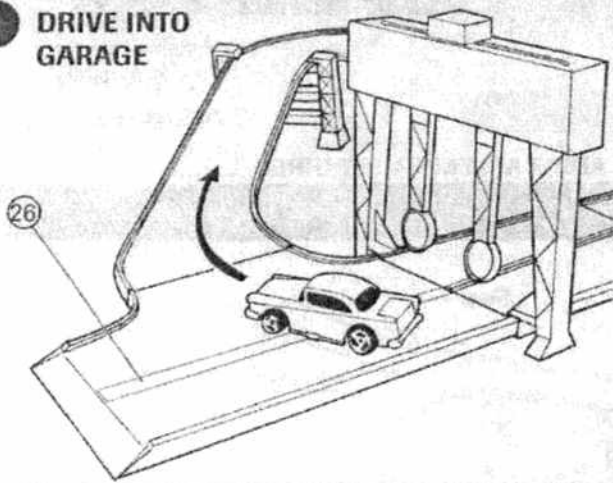


HOT WHEELS® and associated trademarks are owned by Mattel, Inc. © 2000 Mattel, Inc. All Rights Reserved.

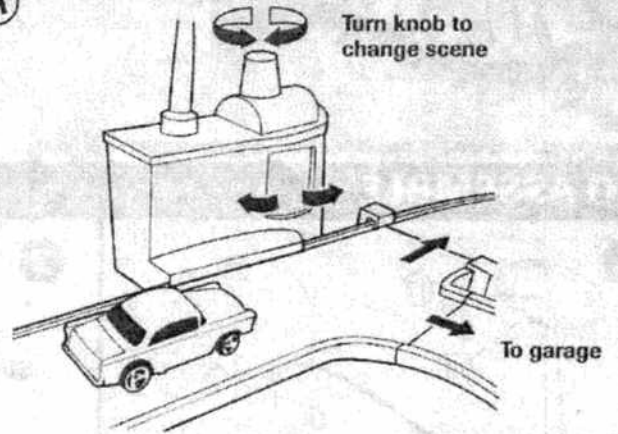
98465 - 31401-RC2  
PRINTED IN CHINA

# TO PLAY

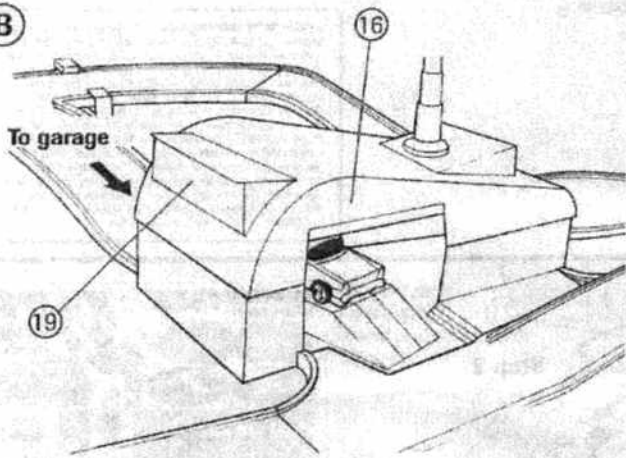
## 1 DRIVE INTO GARAGE



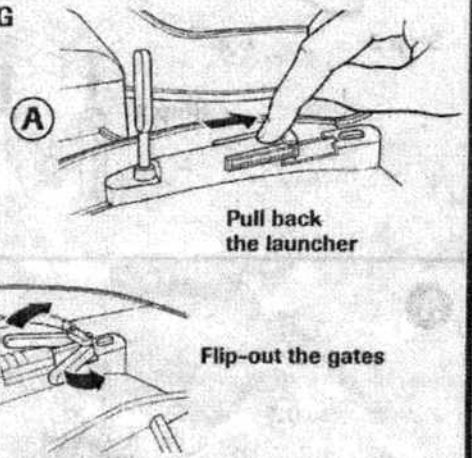
A



B

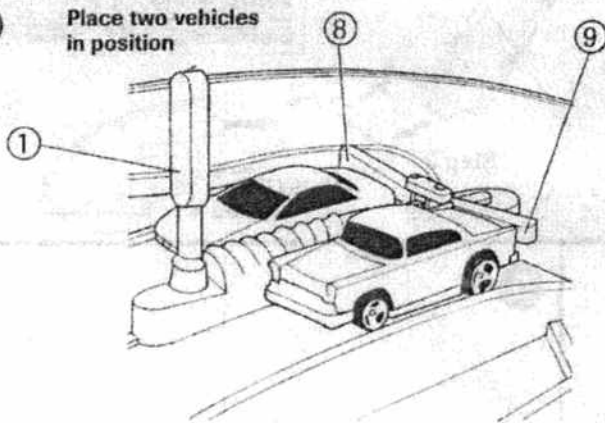


## 2 LAUNCHING VEHICLES



C

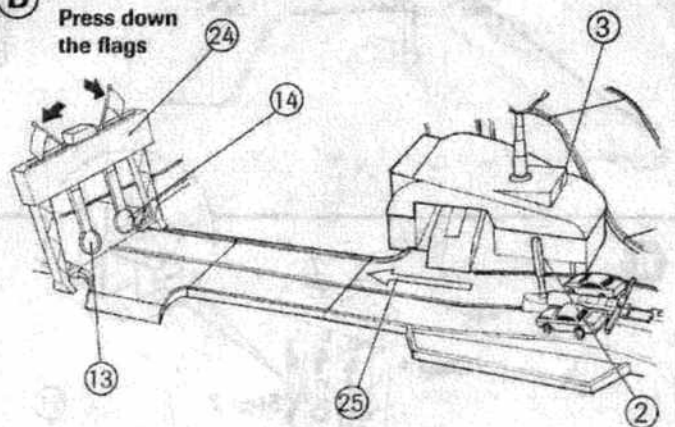
Place two vehicles in position



This playset includes one Hot Wheels® vehicle only

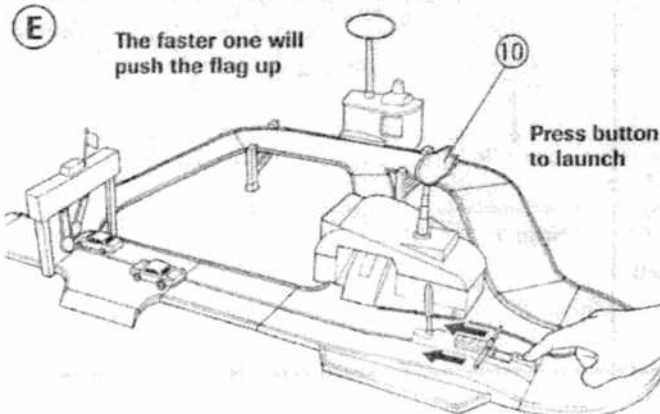
D

Press down the flags



E

The faster one will push the flag up



Not for use with some Hot Wheels® vehicles.

3

