



NITRO HILL RACE™ SE

HIGH OCTANE STREET COURSE!

WARNING:
CHOKING HAZARD - Small parts.
Not for children under 3 years.

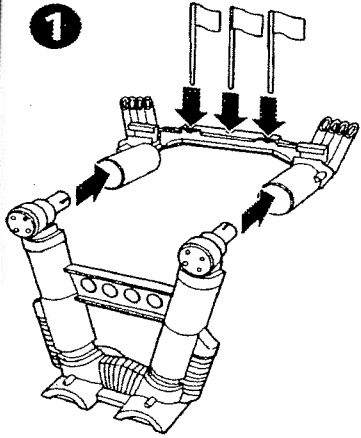
Please keep these instructions for future reference, as they contain important information.

ADULT ASSEMBLY REQUIRED

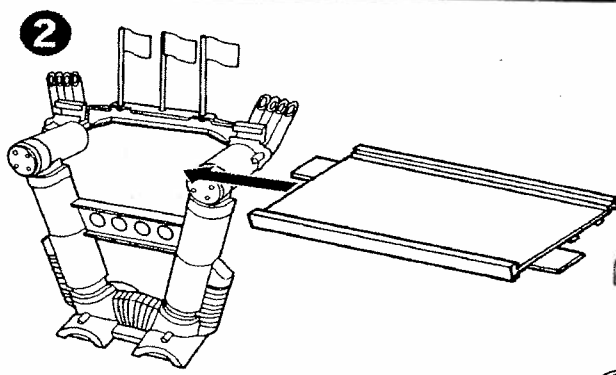
INSTRUCTIONS

HOW TO ASSEMBLE AND APPLY LABELS

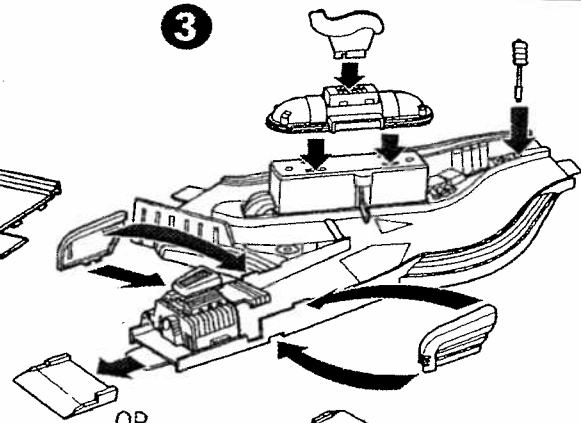
1



2



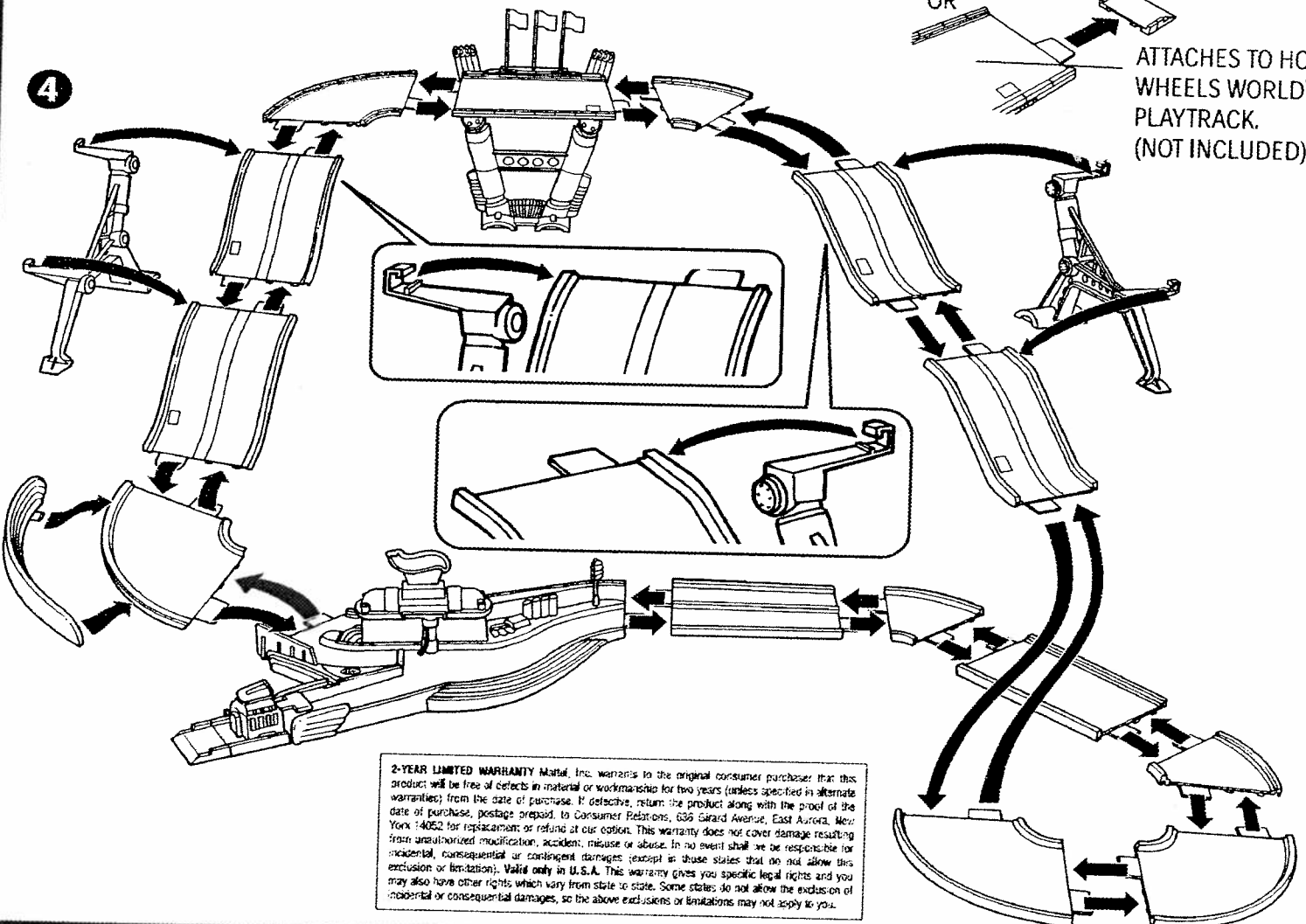
3



OR

ATTACHES TO HOT WHEELS WORLD® PLAYTRACK. (NOT INCLUDED)

4



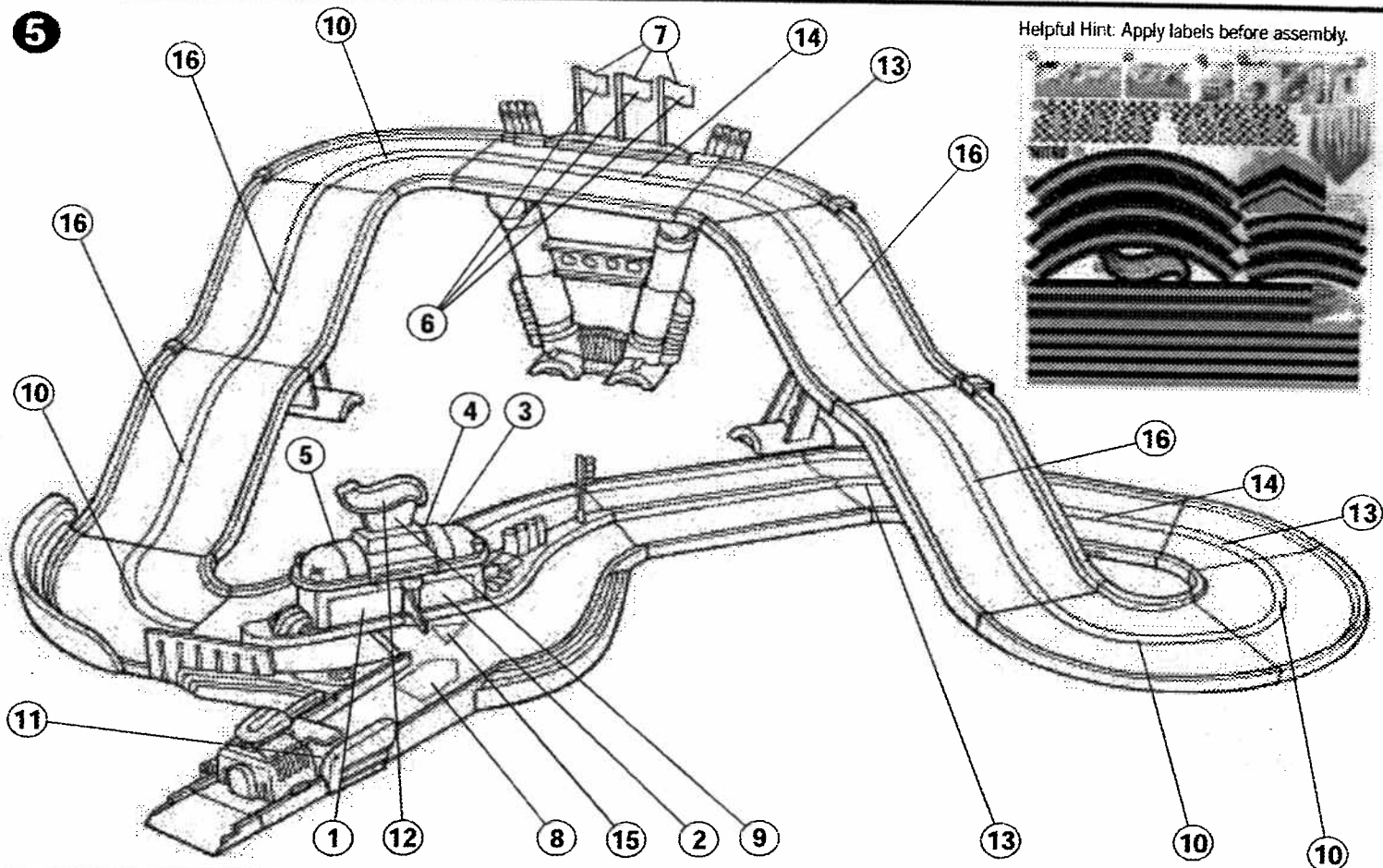
2-YEAR LIMITED WARRANTY Mattel, Inc. warrants to the original consumer purchaser that this product will be free of defects in material or workmanship for two years (unless specified in alternate warranties) from the date of purchase. If defective, return the product along with the proof of the date of purchase, postage prepaid, to Consumer Relations, 636 Garard Avenue, East Aurora, New York 14052 for replacement or refund at our option. This warranty does not cover damage resulting from unauthorized modification, accident, misuse or abuse. In no event shall we be responsible for incidental, consequential or contingent damages (except in those states that do not allow this exclusion or limitation). Valid only in U.S.A. This warranty gives you specific legal rights and you may also have other rights which vary from state to state. Some states do not allow the exclusion of incidental or consequential damages, so the above exclusions or limitations may not apply to you.



HOT WHEELS® and associated trademarks are owned by Mattel, Inc.
© 2001 Mattel, Inc. All Rights Reserved.
Mattel U.K., Ltd., Vanwall Business Park, Maidenhead SL6 4UB.
Helpline 01628500303

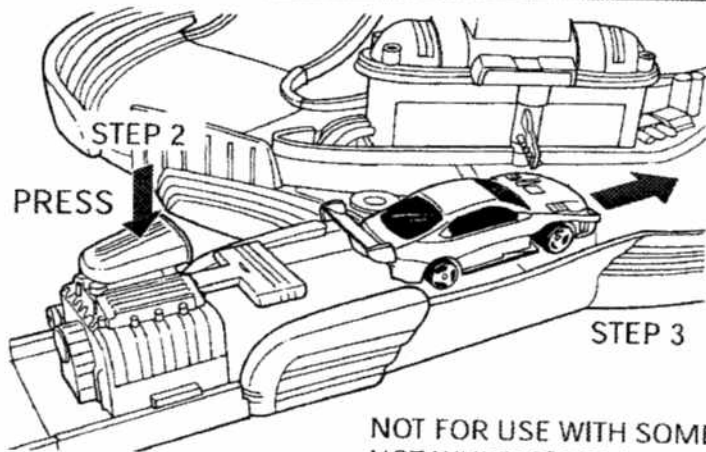
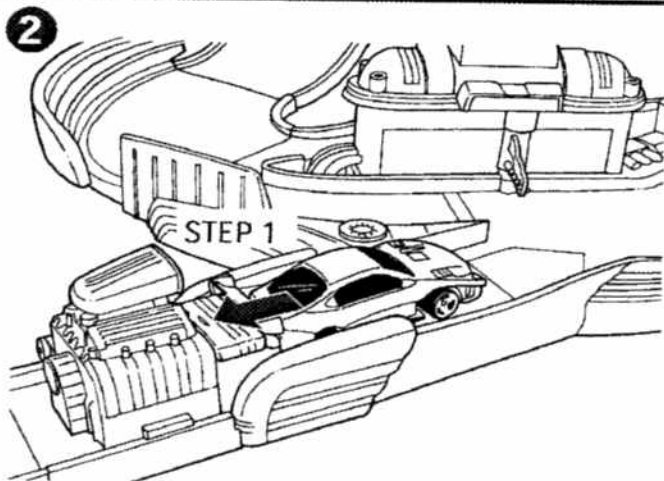
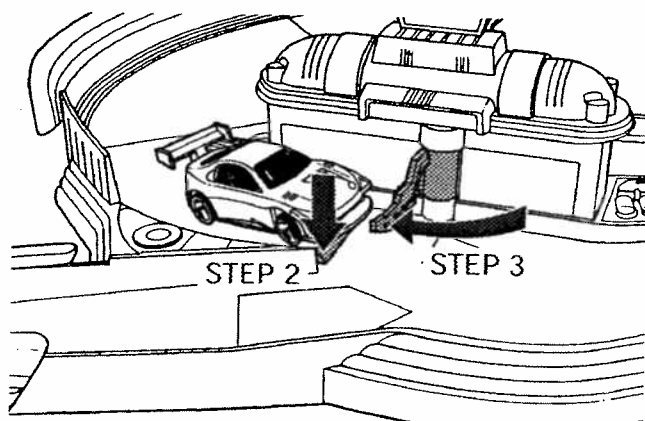
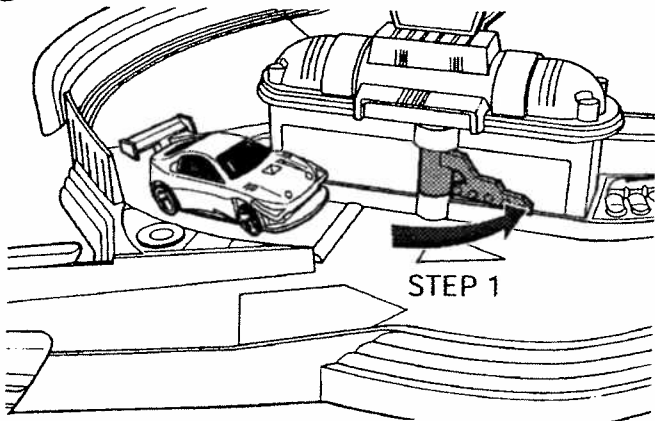
89089-DE1E-S1
PRINTED IN CHINA

5



TO PLAY

1 INCLUDES ONE HOT WHEELS® VEHICLE.



NOT FOR USE WITH SOME HOT WHEELS® VEHICLES.