



# METRO CITY POLICE FORCE

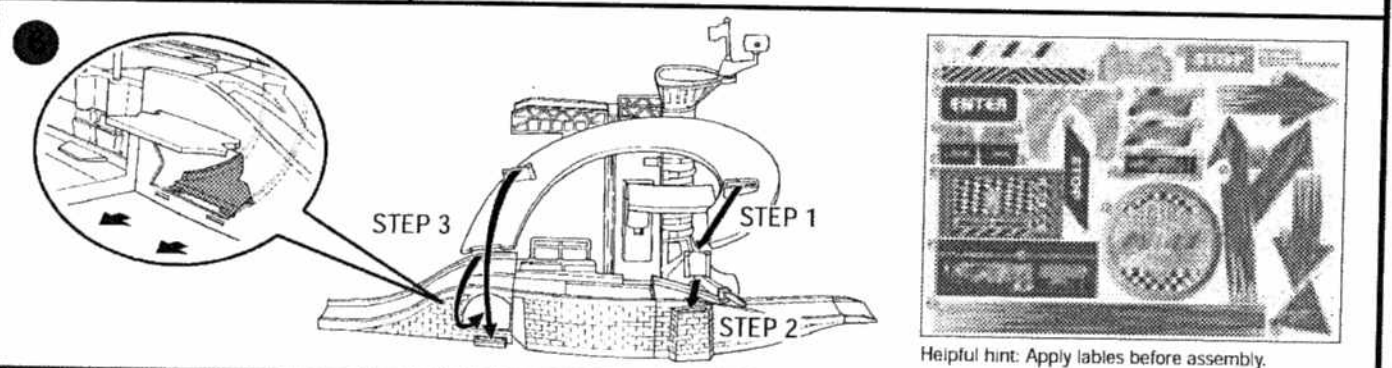
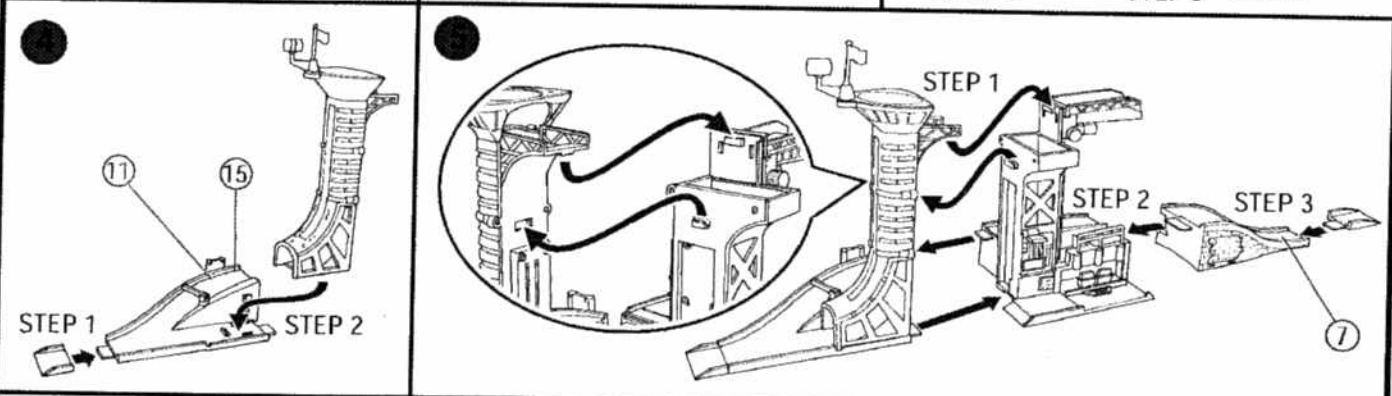
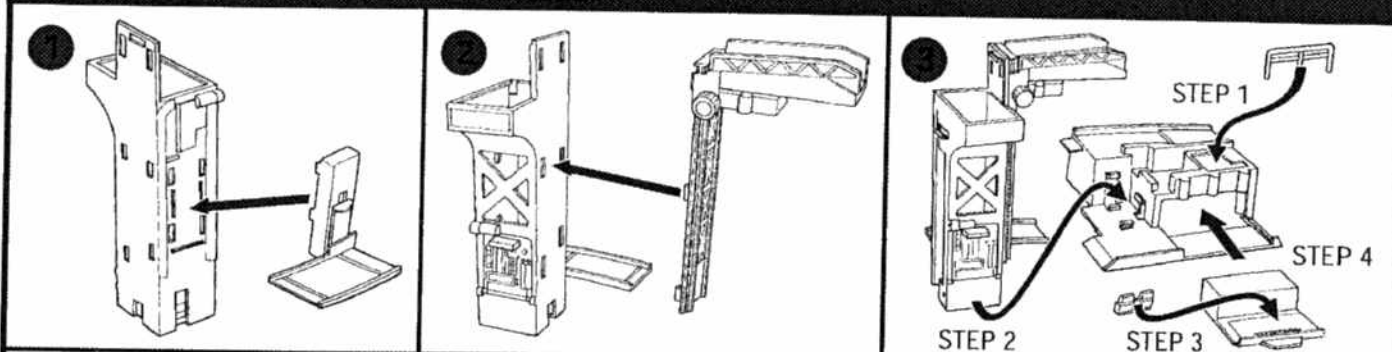
HIGH-SPEED PURSUIT AND DARING ESCAPES!

Please keep these instructions for future reference, as they contain important information.

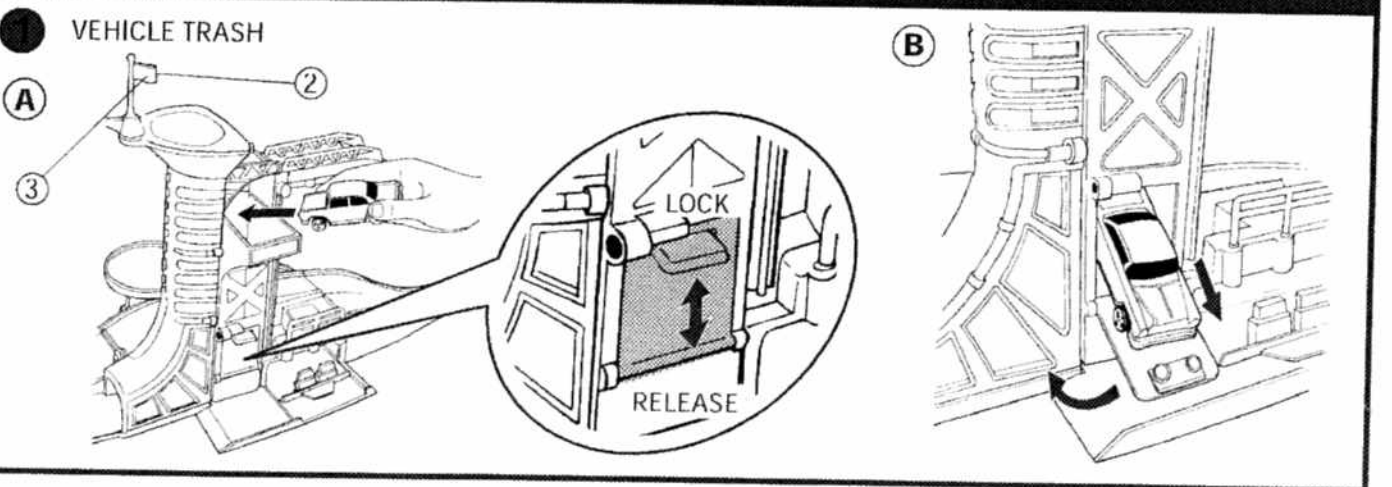
**ADULT ASSEMBLY REQUIRED**

**WARNING:**  
CHOKING HAZARD - Small parts.  
Not for children under 3 years.

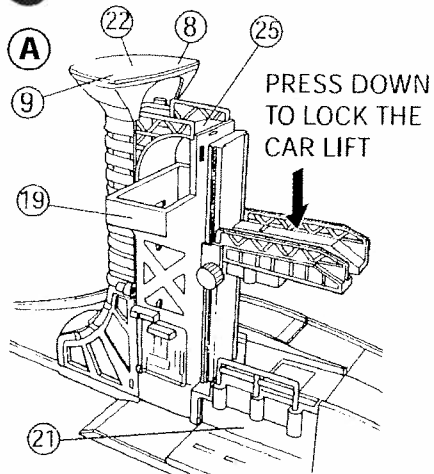
## INSTRUCTIONS HOW TO ASSEMBLE AND APPLY LABELS



Helpful hint: Apply labels before assembly.

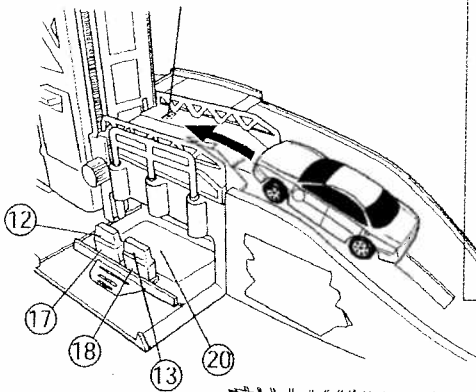


**ENTER VEHICLE TUNNEL**



PRESS DOWN TO LOCK THE CAR LIFT

**PRESS THE BUTTON BY THE FRONT RIGHT WHEEL.**

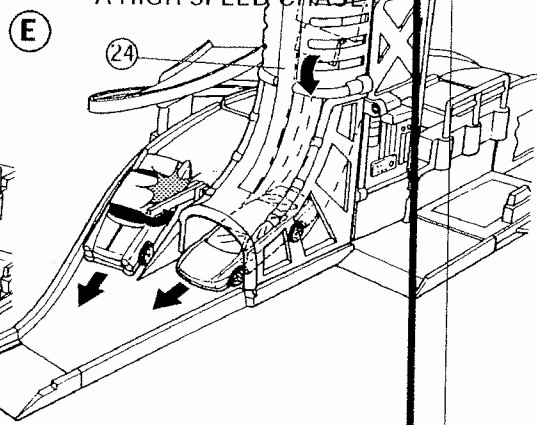
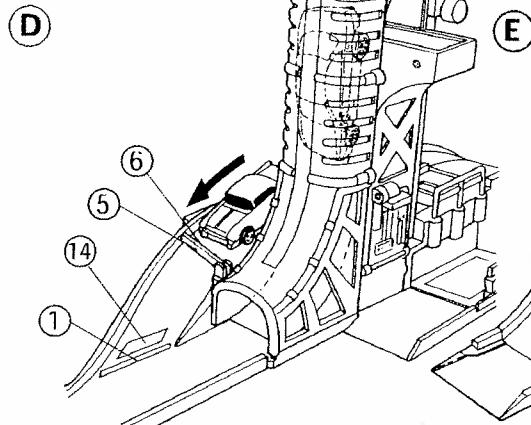
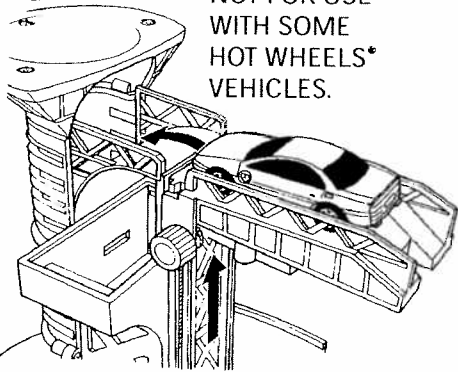


**2-YEAR LIMITED WARRANTY**

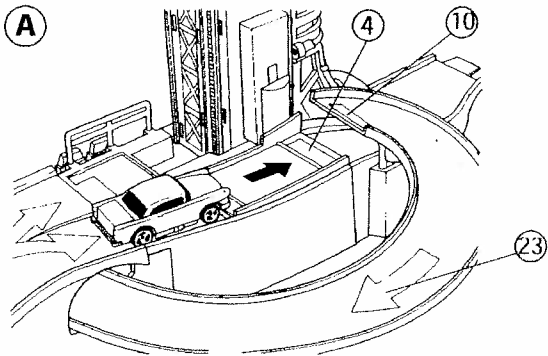
Mattel, Inc. warrants to the original consumer purchaser that this product will be free of defects in materials or workmanship for two years (unless specified in alternate warranties) from the date of purchase. If defective, return the product along with proof of the date of purchase, postage prepaid, to Consumer Relations, 636 Grand Avenue, East Aurora, New York 14062 for replacement or refund at our option. This warranty does not cover damage resulting from unauthorized modification, accident, misuse or abuse. In no event shall we be responsible for incidental, consequential, or contingent damages (except in those states that do not allow this exclusion or limitation) **VALID ONLY IN U.S.A.** This warranty gives you specific legal rights and you may also have other rights which vary from state to state. Some states do not allow the exclusion of incidental or consequential damages, so the above exclusions or limitations may not apply to you.

**THE CAR TRIGGERS THE HIDDEN CAR TRAPPED INSIDE THE TUNNEL FOR A HIGH SPEED CHASE!**

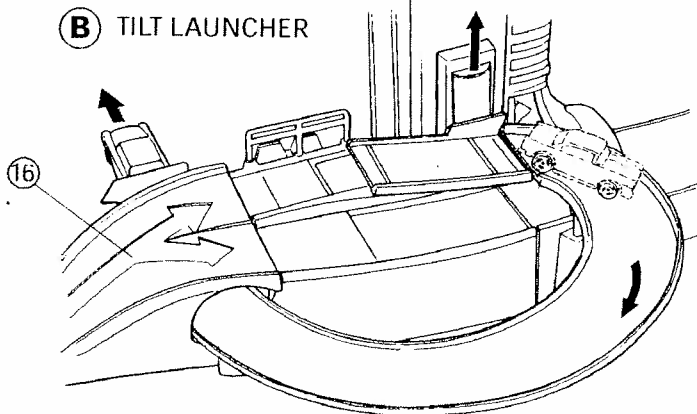
**NOT FOR USE WITH SOME HOT WHEELS\* VEHICLES.**



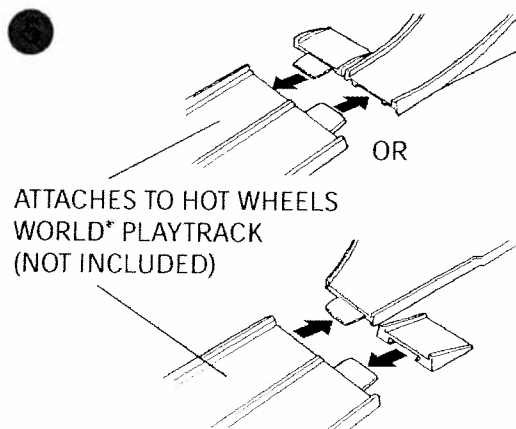
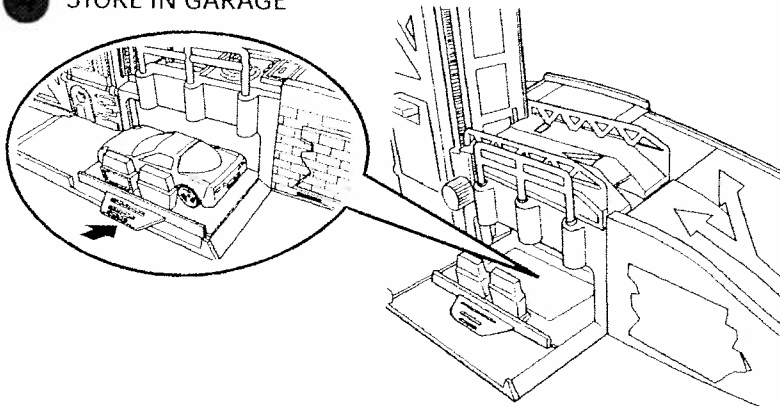
**BUST THROUGH THE BREAKAWAY WALL**



**TILT LAUNCHER**



**STORE IN GARAGE**



HOT WHEELS\* and associated trademarks are owned by Mattel, Inc.  
 © 2001 Mattel, Inc. All Rights Reserved.  
 Mattel U.K., Ltd., Vanwall Business Park, Maidenhead SL6 4UB.  
 Helpline 01628500303

89090-DE1E-S1  
 PRINTED IN CHINA