

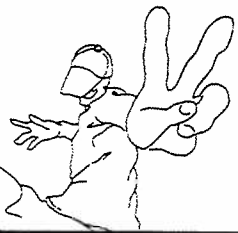


HALF-PIPE RAMP

INSTRUCTIONS

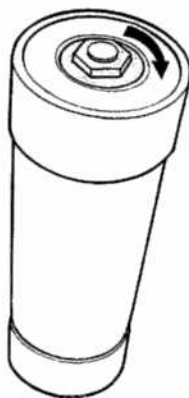
2 YEAR LIMITED WARRANTY

ARCOTOYS, INC., A Mattel Company, warrants to the original consumer purchaser that this toy product will be free from defects in material or workmanship for 2 years (unless otherwise specified in alternate warranties) from the date of purchase. If defective, return the product along with proof of the date-of-purchase, postage prepaid, to Consumer Adjustment Center, ARCOTOYS, INC., A Mattel Company, C.S. #9008, Crossways Park West, Woodbury, New York 11797 for replacement or refund at our option, or you may phone us toll-free at 1 (800) 442-2664, Monday thru Friday between the hours of 10:00 A.M. - 5:00 P.M. EST (7:00 A.M. - 2:00 P.M. PST). This warranty does not cover damage resulting from accident, misuse or abuse. **VALID ONLY IN U.S.A.** This warranty gives you specific legal rights and you may also have other rights which vary from state to state. 03

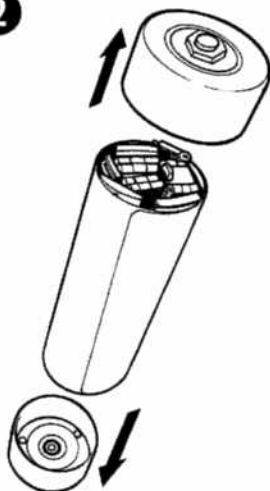


TO ASSEMBLE

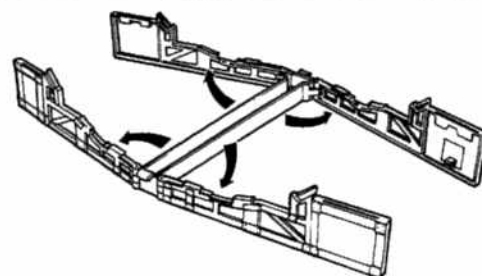
1 Turn both sides of nuts to "UNLOCK" position to take out the end caps.



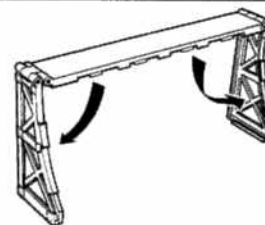
2



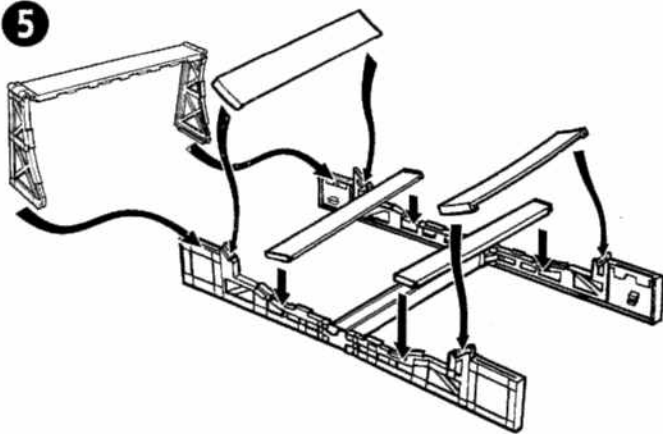
3



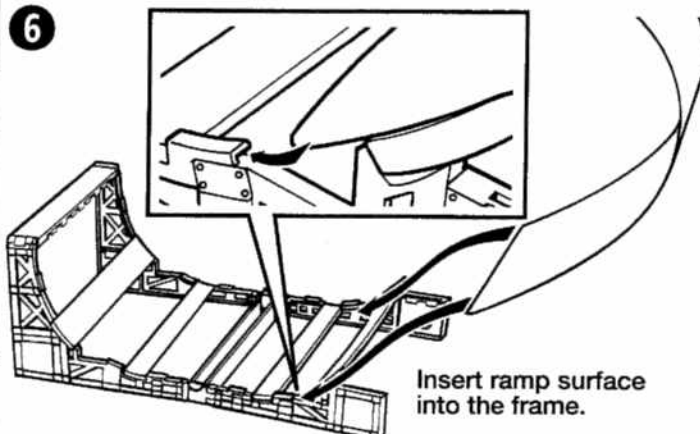
4



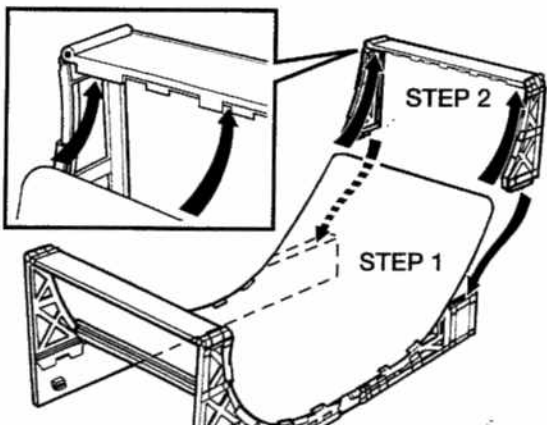
5



6



7



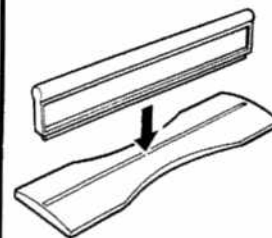
8

To label



9

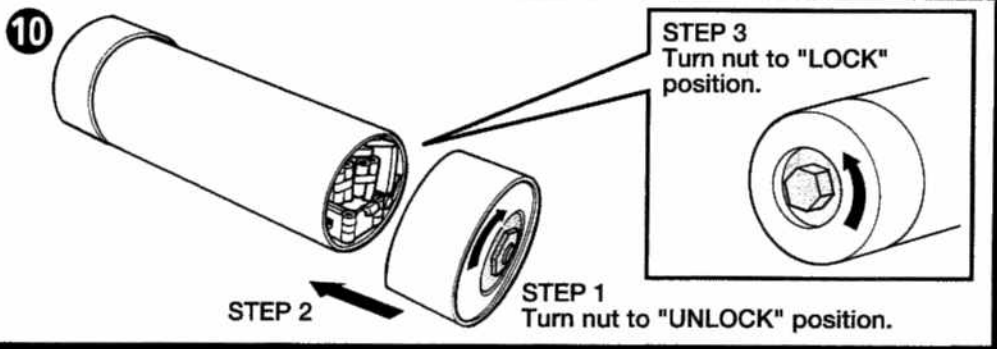
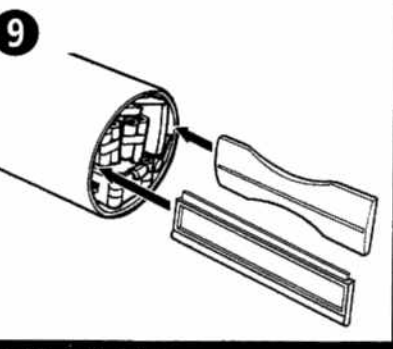
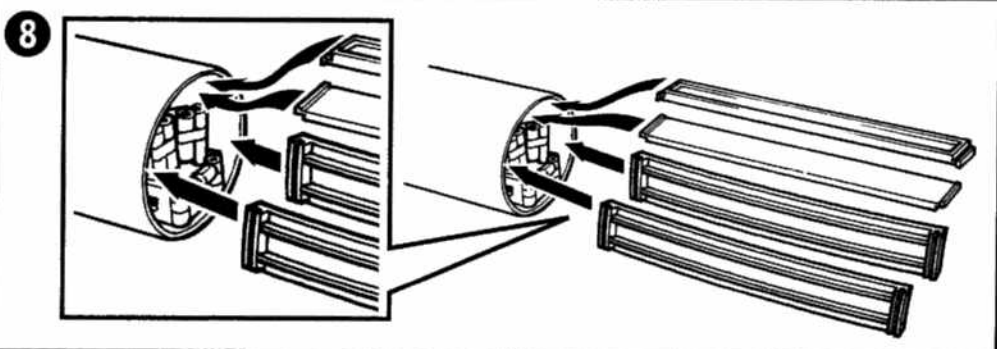
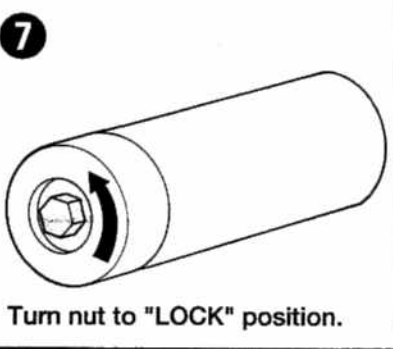
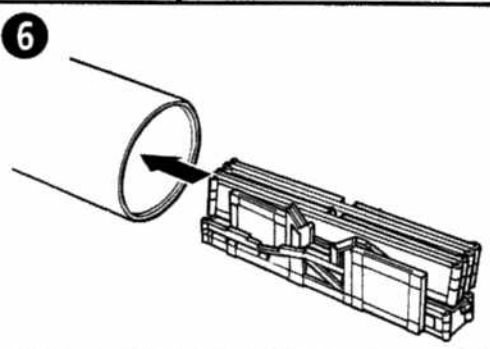
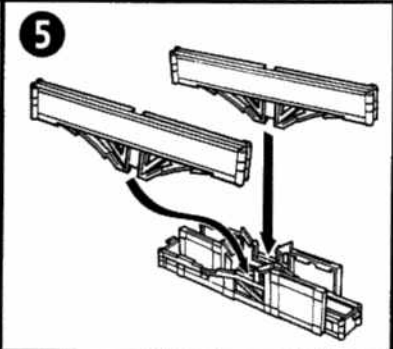
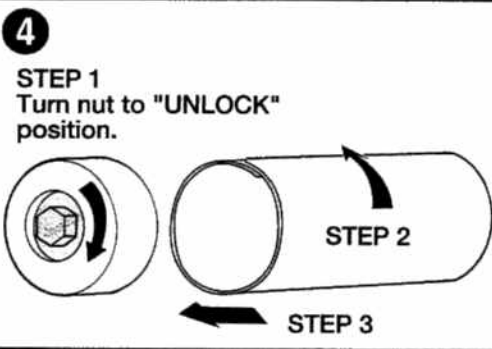
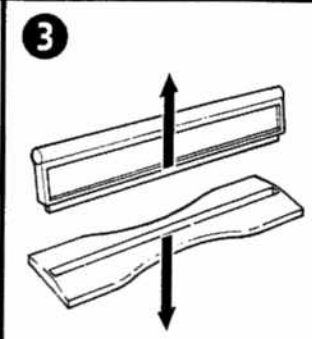
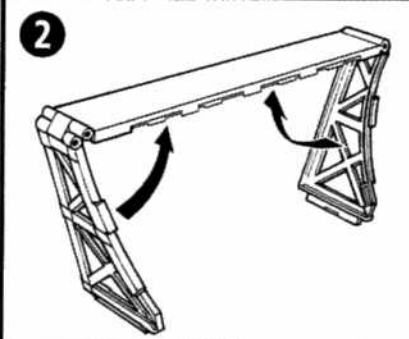
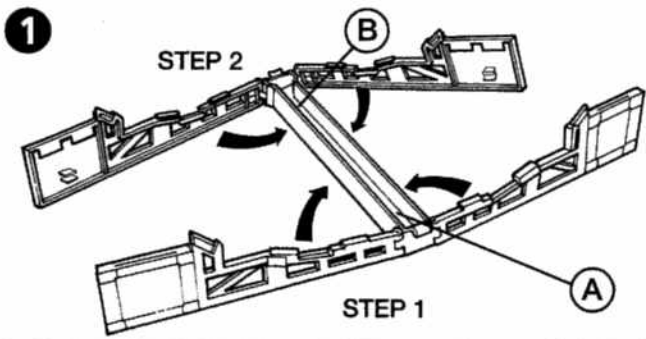
To assemble slide bar.



HOT WHEELS® and associated trademarks are owned by Mattel, Inc.
© 1999 Mattel, Inc. All Rights Reserved.



TO STORE



TO PLAY



Finger Board
not included

