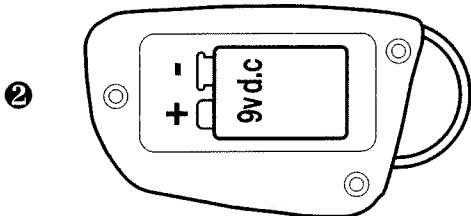
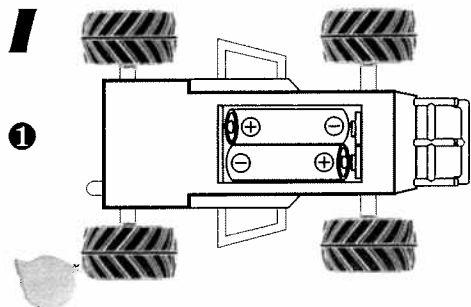




KEY START™

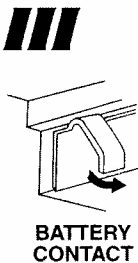
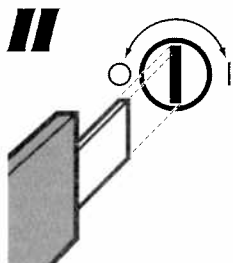
Keep these instructions for future reference: they contain important information.

96421-0920

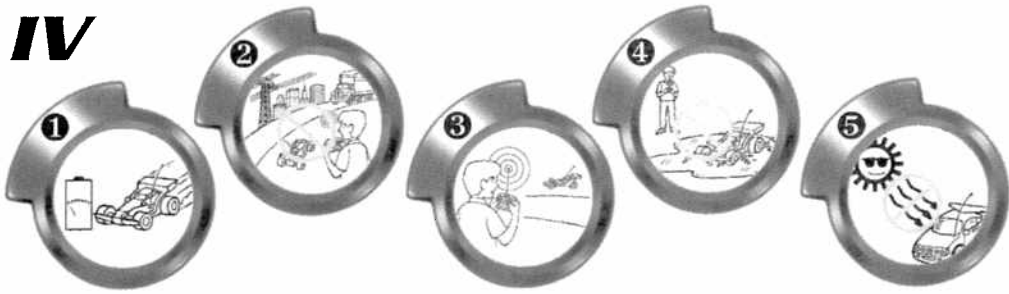


**TYCO R/C
CONSUMER AFFAIRS
WE CARE!**

If you have questions or difficulty operating this vehicle,
DO NOT RETURN IT TO THE STORE!
Call Toll-Free 1-888-557-TYCO (1-888-557-8926) for **EXPERT**
technical help and **RAPID** parts and service assistance.
www.tycorc.com



BATTERY CONTACT



© 1999 Mattel, Inc., Mt. Laurel, NJ 08054
U.S.A. **PRINTED IN CHINA.** All Rights Reserved. ® and ™ designate U.S. trademarks of Mattel, Inc.
Retain this address for future reference: Mattel, Inc., Meridian West, Leicester LE3 2JF, UK
Mattel Australia Pty., Ltd., Richmond, Victoria 3121 - Consumer Advisory Service: 1800 800 812 (valid only in Australia). Mattel East Asia Limited, 930 Ocean Centre, Harbour City, HK, China.

COMPLIANCE WITH FCC REGULATIONS
THIS DEVICE COMPLIES WITH PART 15 OF FCC RULES. OPERATION OF THIS DEVICE IS SUBJECT TO THE FOLLOWING TWO CONDITIONS:
(1) THIS DEVICE MAY NOT CAUSE HARMFUL INTERFERENCE.
(2) THIS DEVICE MUST ACCEPT ANY HARMFUL INTERFERENCE THAT MAY CAUSE UNDESIRED OPERATION.
This device generates and uses radio fre-

quency energy and if not used properly may cause interference to radio and television reception. It has been tested and found to comply with the limits set by the FCC, which are designed to provide reasonable protection against such interference.
CAUTION: FCC Regulations state that changes or modifications to this product not expressly approved by the party responsible for compliance could void the user's authority to operate the equipment.

I. BATTERY INSTALLATION

[Vehicle & Transmitter]

Push battery doors open in direction of arrow.

❶ **Vehicle** requires 2 AA alkaline batteries. Install with polarity (+/-) as shown inside battery compartment.

❷ **Transmitter** requires 1 9V alkaline battery. Install with polarity (+/-) as shown inside battery compartment.

Close battery doors.

II. OPERATION

1. Your vehicle starts with a key, just like a real car! Just insert the key and turn it clockwise to the **ON** position. Remove the key – your vehicle will run backward and to the left.
2. Your transmitter is the “remote” on your key-chain. It has an automatic **ON** feature. Just press the button to steer straight ahead.
3. Release the button to back up and turn. Press it again to go forward when the vehicle is facing the direction you want.
4. Insert the key and turn it counterclockwise to the **OFF** position after use. Remove the key for storage.

III. IMPORTANT BATTERY INFORMATION

Bent or dirty contacts may result in loss of power. If battery does not fit correctly, gently bend back metal

contact as shown in diagram.

- ✦ Insure that battery polarity is correct.
- ✦ Use only batteries of the type recommended (or equivalent).
- ✦ Do not mix old and new batteries.
- ✦ Do not mix alkaline, standard (carbon-zinc), or rechargeable (nickel-cadmium) batteries.
- ✦ Remove used-up batteries immediately. Remove batteries if vehicle will not be used for a long period.
- ✦ For best performance use alkaline batteries (where disposable batteries are called for). Battery life may vary depending on battery brand.
- ✦ Do not recharge non-rechargeable batteries.
- ✦ Do not short-circuit terminals.
- ✦ Remove rechargeable batteries before recharging. Recharge batteries only under adult supervision.
- ✦ Dispose of batteries safely.

IV. QUICK TIPS

- ❶ When your vehicle starts to lose power, it may lose functions or performance. It's time for fresh batteries. Your vehicle's running time may change depending on your driving style.
- ❷ Radio interference can make your vehicle run badly. Interference can be caused by other R/C vehicles running on the same frequency; electrical

wires; large buildings; or CB radios. Try to stay away from these!

- ❸ Point your transmitter up – not down toward your vehicle. If your vehicle gets too far away, it won't work properly.
- ❹ Don't drive your vehicle in sand or through water or snow. If your vehicle does get wet, wipe with a towel and allow to dry completely.
- ❺ Don't store your vehicle near heat or in direct light. Always turn switches **OFF** and remove all batteries for storage.

SAFETY PRECAUTIONS

Adults, this toy is recommended for children 3 years of age and older. To ensure that the child's play is both safe and fun, please review the operating instructions and these general safety rules with the child.

- DO NOT pick up vehicle while in motion.
- Keep fingers, hair and loose clothing away from the tires and the wheel hubs while the vehicle is switched **ON**.
- Adult supervision is recommended during operation of this vehicle.
- To avoid accidental operation, remove batteries when not in use.
- DO NOT operate your vehicle on streets! They're for real cars.