

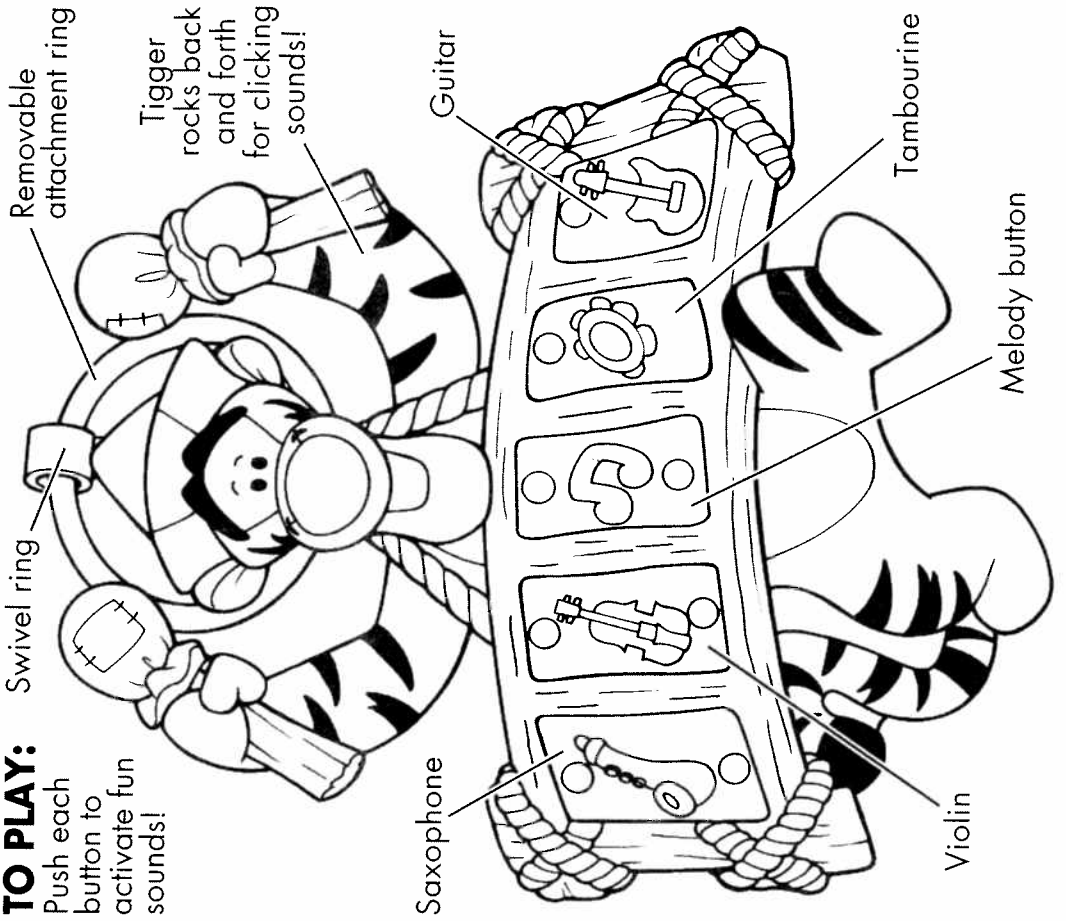
# Disney's Winnie the Pooh Silly Music Maker

## INSTRUCTIONS

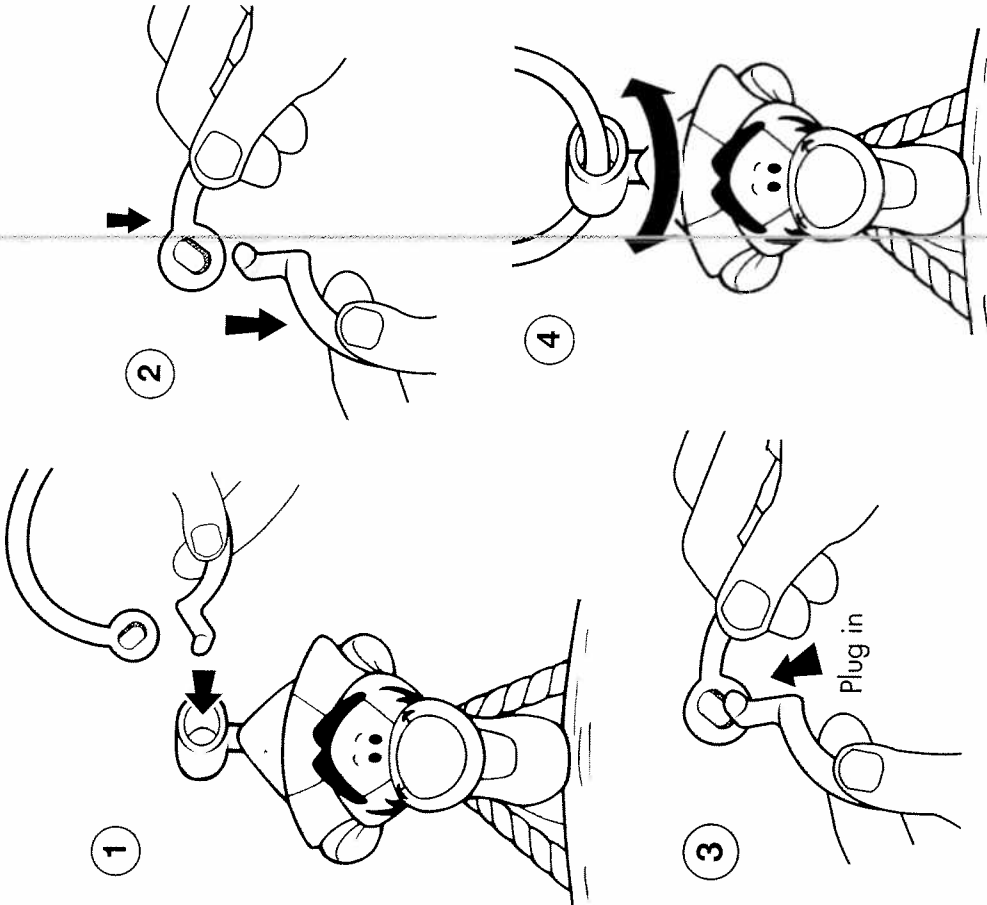
PLEASE KEEP THESE INSTRUCTIONS FOR FUTURE REFERENCE AS THEY CONTAIN IMPORTANT INFORMATION.

### TO PLAY:

Push each button to activate fun sounds!



### TO ASSEMBLE:



**⚠ WARNING:** Possible entanglement or strangulation injury when attached to crib or playpen.  
Do not attach to crib or playpen.  
Remove ring from toy for floor or hand help play.

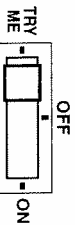
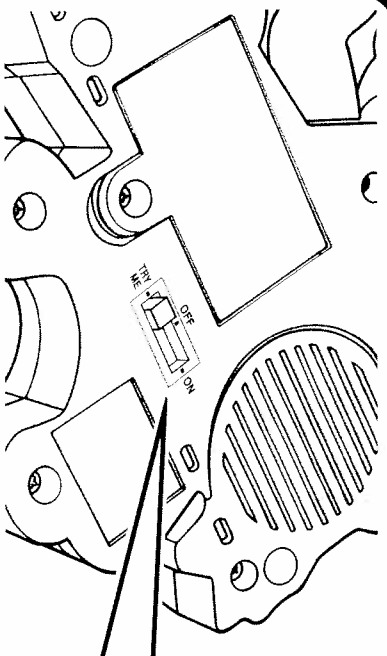
Fisher-Price, Inc.  
a subsidiary of Mattel, Inc.,  
New York, New York 10010 U.S.A.  
Manufactured for Fisher-Price  
© 2000 Mattel, Inc. All Rights Reserved.  
Fisher-Price, the Fisher-Price logo are  
U.S. trademarks of Mattel, Inc.

Visit the Disney web site  
at [www.Disney.com](http://www.Disney.com)

© Disney  
Based on the "Winnie the Pooh" works.  
Copyright A. A. Milne and E.H. Stepard.  
Helpline 01263600303

93880-30401

**Fisher-Price**



FOR "ON" PLAY MODE:  
Plays songs and instrument  
sounds on long period.

FOR "TRY ME" PLAY MODE:  
Plays songs and instrument  
sounds on short period.

## ADULTS NOTE:

Batteries included are for demonstration purpose only.

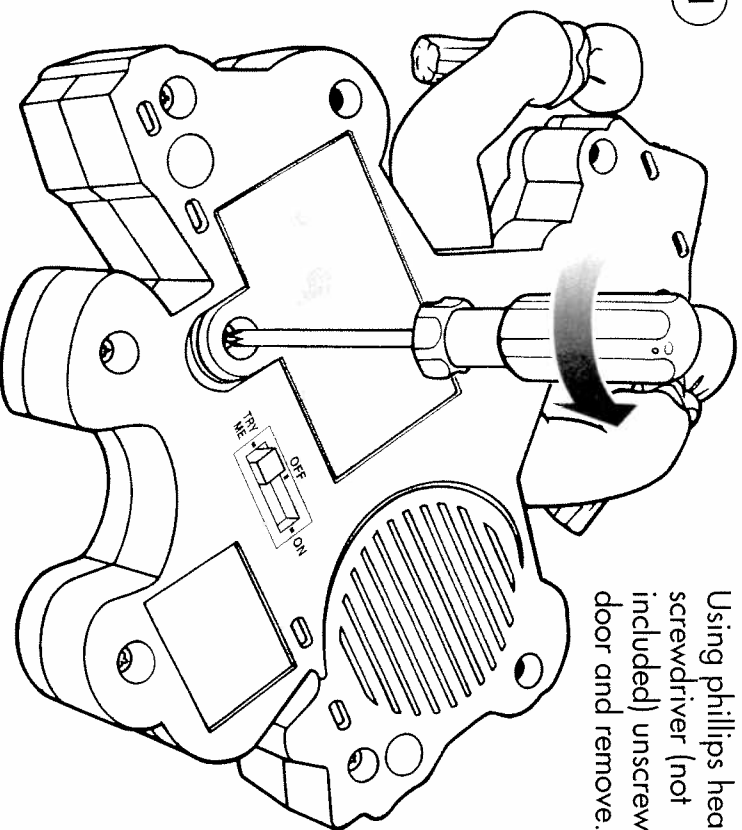
If sounds distort or lights dim, replace batteries.

For longer life use only alkaline batteries.

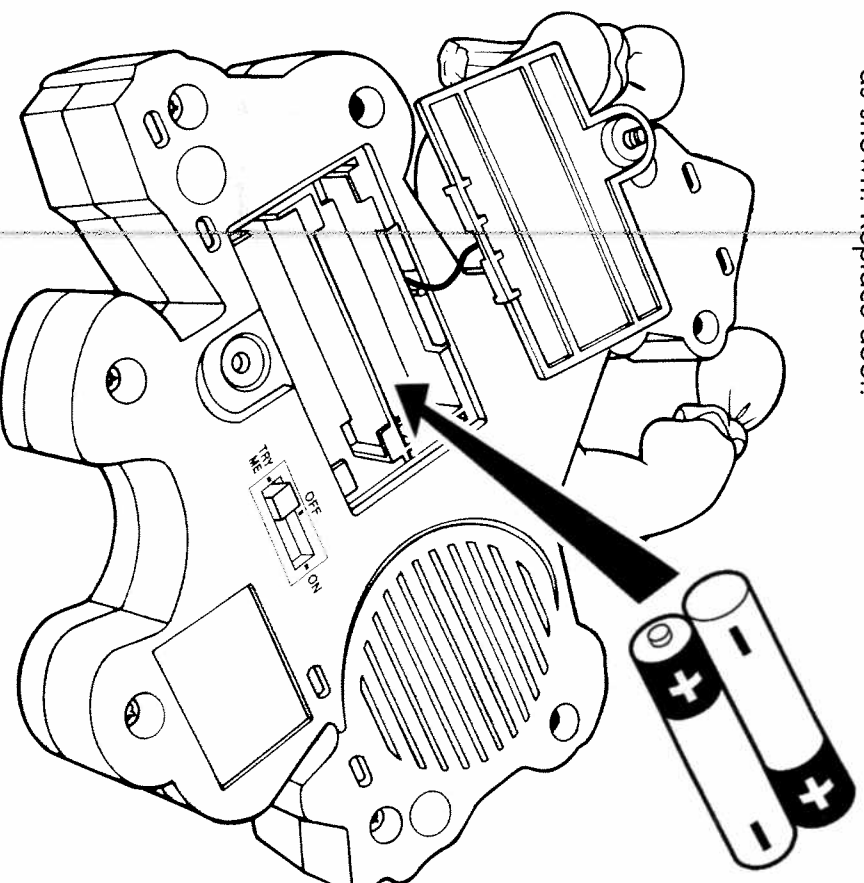
Requires 2 "AA" (LR6) batteries (included)

1

Using phillips head  
screwdriver (not  
included) unscrew  
door and remove.



2 Take out the old batteries, simply replace two "AA" batteries  
as shown. Replace door.



## BATTERY SAFETY INFORMATION

1. Non-rechargeable batteries are not to be recharged.
2. Do not mix alkaline, standard (carbon-zinc), or rechargeable (nickel-cadmium) batteries.
3. Do not mix old and new batteries.
4. Only batteries of the same or equivalent type as recommended are to be used.
5. Batteries are to be inserted with the correct polarity.
6. Exhausted batteries are to be removed from the toy.
7. The supply terminals are not to be short-circuited.
8. Dispose of batteries safely.
9. Rechargeable batteries are to be removed from the toy before being charged.
10. Rechargeable batteries are only to be charged under adult supervision.