



Foamin' Fun Castle™

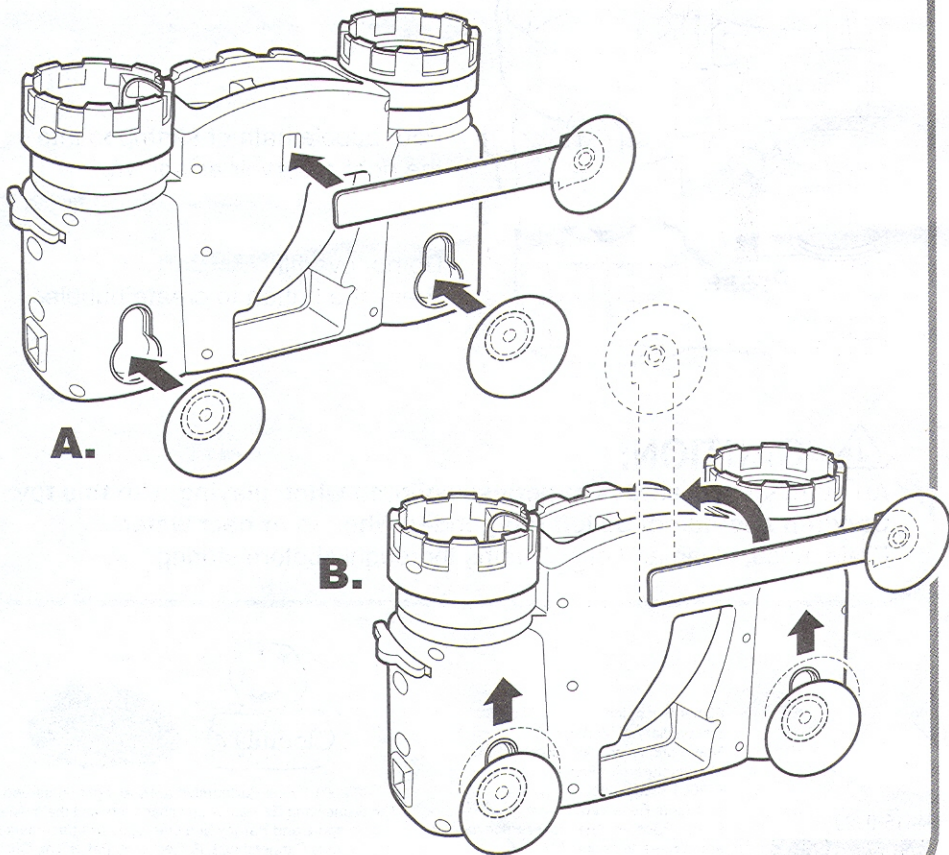
INSTRUCTIONS

Please keep these instructions for future reference as they contain important information.

Foamin' Fun Castle™ attaches easily to the bathtub with 3 suction cups.

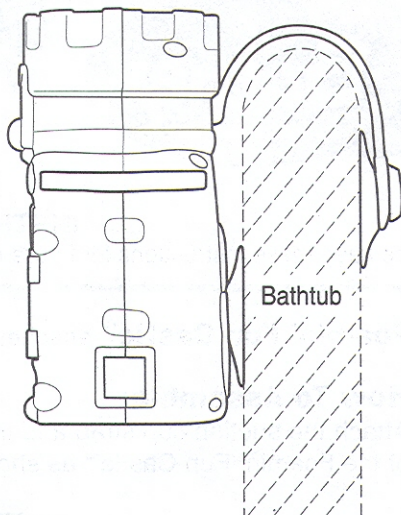
How To Assemble:

Attach the suction cup strap and the 2 separate suction cups to the back of the Foamin' Fun Castle™ as shown:

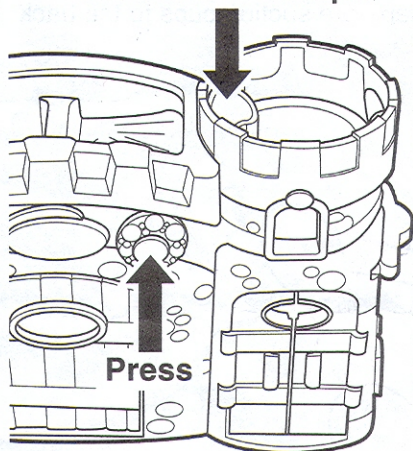


Attach the Foamin' Fun Castle™ to the side of the bathtub using the 2 suction cups.

Wrap the strap to the outside of the tub and attach the suction cup.



Bubble bath / Shampoo



Pour bubble bath or shampoo into the right reservoir as shown.

Do not overfill.
Press the button to create bubbles.



CAUTION:

An adult should always supervise children when playing with this toy. Children should not be left unattended when in or near water. Drain, rinse, clean and dry all items thoroughly before storing.

Fisher-Price, Inc.,
a subsidiary of Mattel, Inc.,
New York, New York 10010 U.S.A.
Manufactured for Fisher-Price.
© 2001 Mattel, Inc.

All Rights Reserved.
Fisher-Price and the Fisher-Price logo
are U.S. trademarks of Mattel, Inc.
Packing and address should be kept
for future reference.



© 2001 Lyons Partnership, L.P. All rights reserved.
The Barney and BJ names and characters and the overlapping
dino spots and Barney and star logos are trademarks of
Lyons Partnership, L.P. Reg. U.S. Pat. & Tm. Off.
The Baby Bop name and character are trademarks of
Lyons Partnership, L.P.

94415-0920

Fisher-Price