



Please keep this instruction sheet for future reference,
as it contains important information.

Adult assembly is required.

No tools needed for assembly.

**Double
Blast**

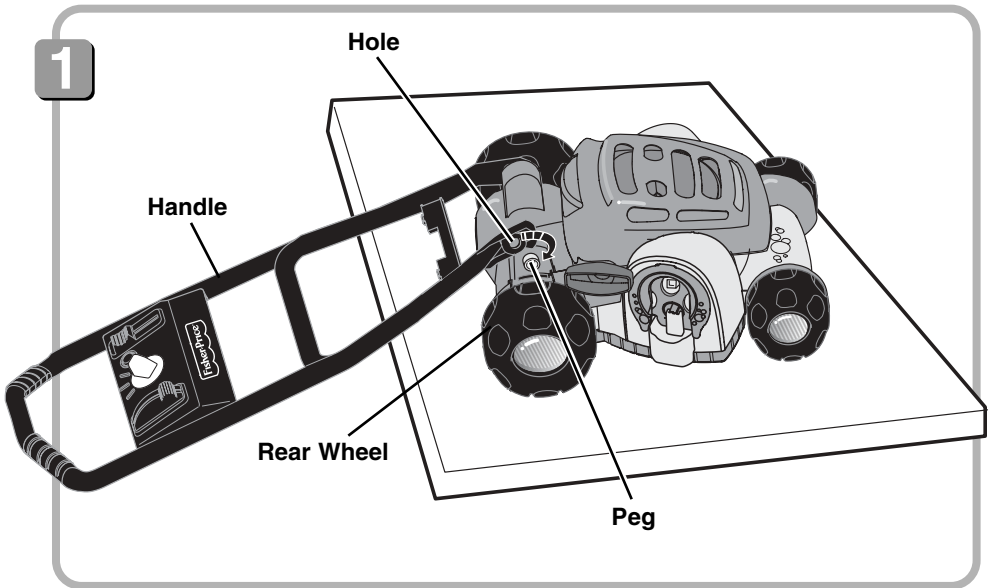
www.fisher-price.com

Bubble Mower™

IMPORTANT!

- Please make sure your child does not follow you using this toy while you are operating a real lawn mower. Your child should play in a separate area **away from the area where you are mowing.**
- Use only bubble solution in this toy.
- Make sure your child understands that bubble solution is not for drinking and that it should be kept away from the eyes.
- While filling or cleaning this toy, try to avoid spilling bubble solution on the floor. It may create slippery floor conditions.

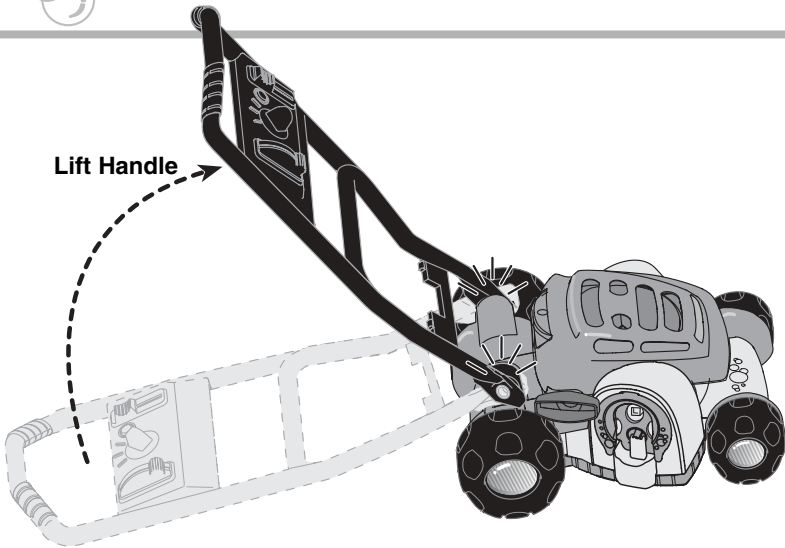
Assembly



- Place the mower on an elevated, flat surface.
- Position the handle with the Fisher-Price® logo facing up.
- With the handle angled down, fit the holes on the ends of the handle onto the pegs near the rear wheels.

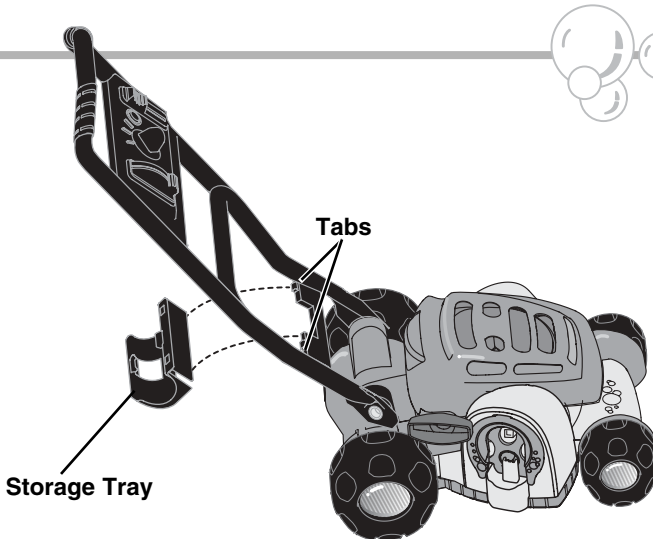
Assembly

2



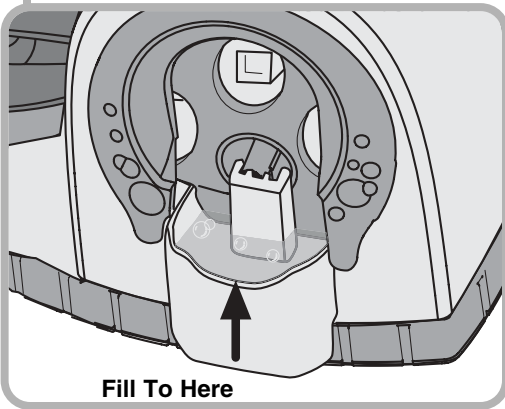
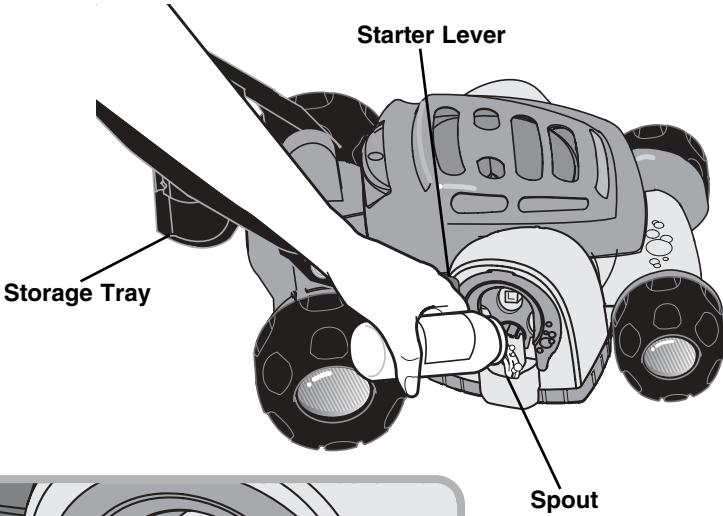
- Lift the handle until it "**snaps**" into an upright position.

3



- Fit the storage tray onto the tabs on the handle. Press the storage tray until it "**snaps**" in place.

Bubblin' Fun



Hint: When using the mower with bubble solution, we recommend using it outdoors on flat, level ground or in short grass.

- Carefully pour bubble solution into the spout on each side of the Bubble Mower. Fill until bubble solution just reaches the top of the bubble chamber. Do not over-fill.

Note: The maximum capacity of each bubble chamber is only about 2 tablespoons.

- Fit the bottle of bubble solution in the storage tray.
- Pull the starter lever for realistic mower sounds.

Note: The starter only pulls out a short distance.



Fisher-Price, Inc., a subsidiary of Mattel, Inc., East Aurora, NY 14052 U.S.A.

©2003 Mattel, Inc. All Rights Reserved. © and ™ designate U.S. trademarks of Mattel, Inc.

PRINTED IN MEXICO

B0109a-0920



Bubblin' Fun



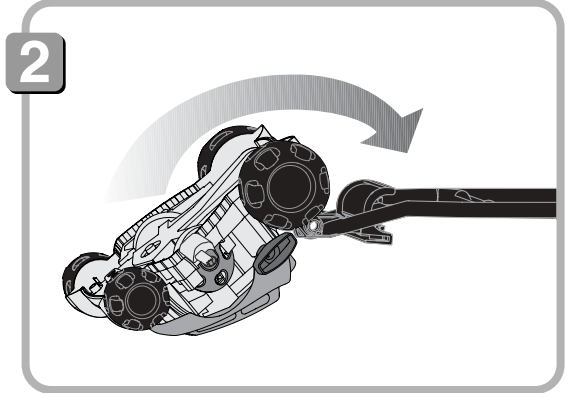
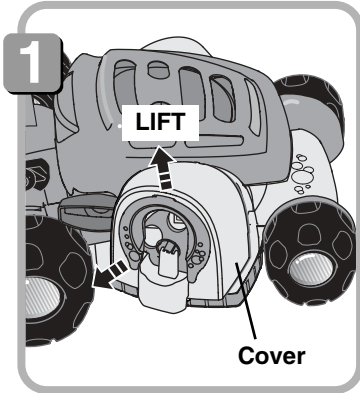
- Push the bubble mower so that all four wheels contact the ground.
- Bubbles begin flowing after the mower has been pushed about 15-20 walking steps. As long as the mower is being pushed the bubbles continue to flow.
- If your mower does not make bubbles:
 - Check to be sure there is enough bubble solution in the mower.
 - Make sure all four wheels contact the ground when pushing the mower.
 - Empty the bubble solution from the mower. Refill the mower with fresh bubble solution.
 - Wash the bubble chamber (see "Let's Clean Up"), and refill with fresh bubble solution.

Note: We do not recommend the use of silicones or oily lubricants on this toy. As with any bubble producing toy, when even a very small amount of silicone or oily lubricants are put into or used near the bubble chambers, bubbles will not form.

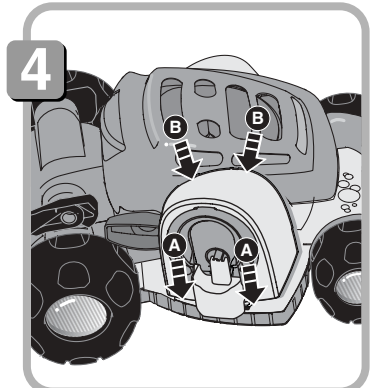
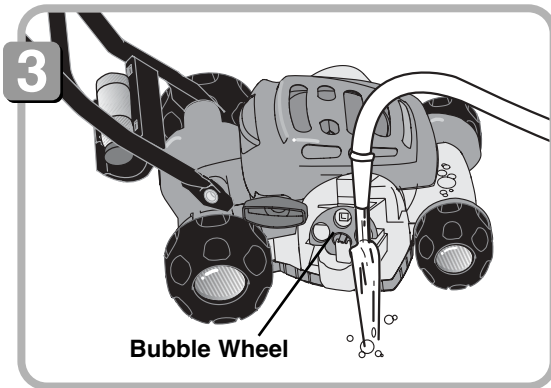


Let's Clean Up

IMPORTANT! You must clean this toy after each use. Dried bubble solution inside the mower may affect how this toy makes bubbles. Please follow the instructions in this section carefully.



- Lift up on a cover then pull it away from the mower to remove it. Repeat this procedure to remove the other cover.
- Tip the mower forward to empty the bubble solution.



- Thoroughly rinse the bubble wheel and bubble chamber on each side of the toy with clean water from a garden hose or faucet. Rotate the back wheels a few times, then pour the water out.
- Insert the cover tabs into the slots in the mower **A**. Press the top of the cover to fit the cover in place **B**.

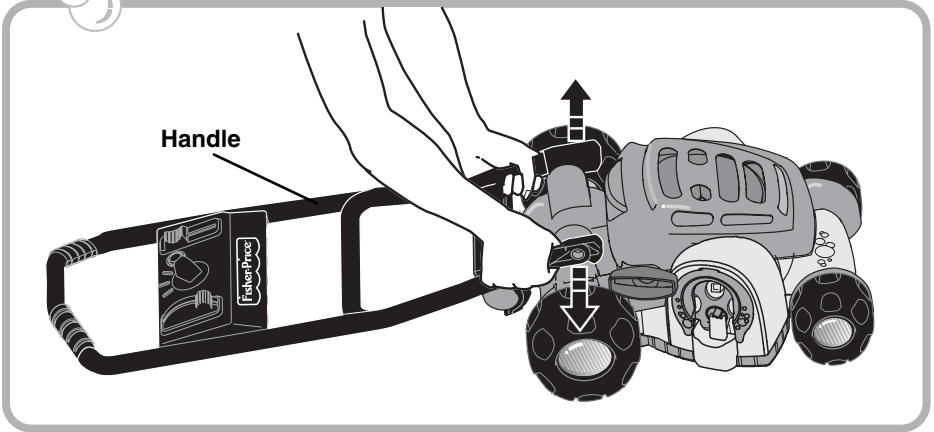


Problems and Solutions

Problem	Cause	Solution
Bubbles do not flow from one or both bubble chambers	Not enough bubble solution in chamber(s)	Refill chamber(s) with enough bubble solution.
	Bubble chamber wheel(s) is clogged and dirty	Follow instructions in "Let's Clean Up" section to clean bubble chamber thoroughly.
	You have not walked far enough to produce bubbles	The bubble mower needs to be pushed a minimum of 15-20 walking steps before bubbles begin to flow.
	You are walking too quickly	Walk at a slow, steady pace.
	The rear wheels are not contacting the ground.	Push the mower so that the rear wheels are always contacting the ground.
	Silicone or oily lubricants may have gotten in the bubble chamber(s)	Never use silicone or oily lubricants on this product (the wheels). Bubbles will not form if even a very small amount of these substances get into the bubble chamber(s).
Bubble solution is leaking from the mower	Bubble chamber(s) over-filled	Fill only until bubble solution reaches top of bubble chamber.
	The mower is used on an incline	Use the Bubble Mower only on flat, level ground.



Storage



- Remove the handle for long-term storage. First lower the handle, then pull the ends of the handle out.
- Rinse the mower thoroughly with clean water before storing it for long periods of time.
- This toy has no consumer serviceable parts. Do not take this toy apart.

Consumer Information

Questions? We'd like to hear from you!

Call Fisher-Price® Consumer Relations, toll-free at **1-800-432-5437**, 8 AM- 6 PM EST Monday through Friday. Hearing-impaired consumers using TTY/TDD equipment, please call 1-800-382-7470. Or, write to: Fisher-Price® Consumer Relations, 636 Girard Avenue, East Aurora, New York 14052.

For countries outside the United States:

CANADA Questions? 1-800-567-7724. Mattel Canada Inc., 6155 Freemont Blvd., Mississauga, Ontario L5R 3W2.

GREAT BRITAIN Mattel UK Ltd, Vanwall Business Park, Maidenhead SL6 4UB. Helpline: 01628 500302.

AUSTRALIA Mattel Australia Pty. Ltd., 658 Church Street, Locked Bag #870, Richmond, Victoria 3121 Australia. Consumer Advisory Service 1300 135 312.

NEW ZEALAND 16-18 William Pickering Drive, Albany 1331, Auckland.

ASIA Mattel East Asia Ltd, Room 1106, South Tower, World Finance Centre, Harbour City, Tsimshatsui, HK, China.