



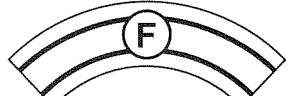



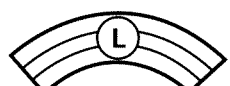

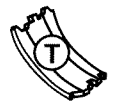


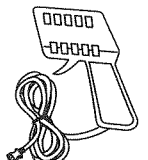
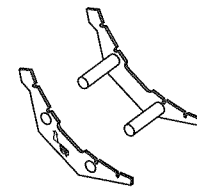
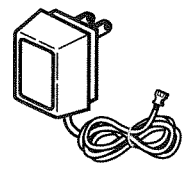
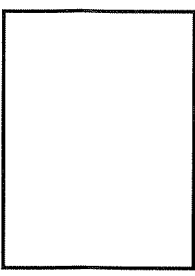


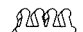
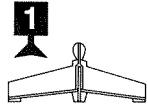
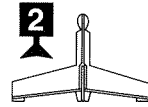
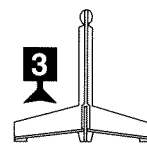
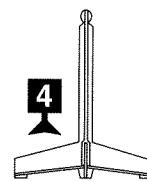
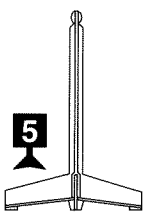
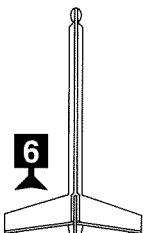


ASSEMBLY MAP

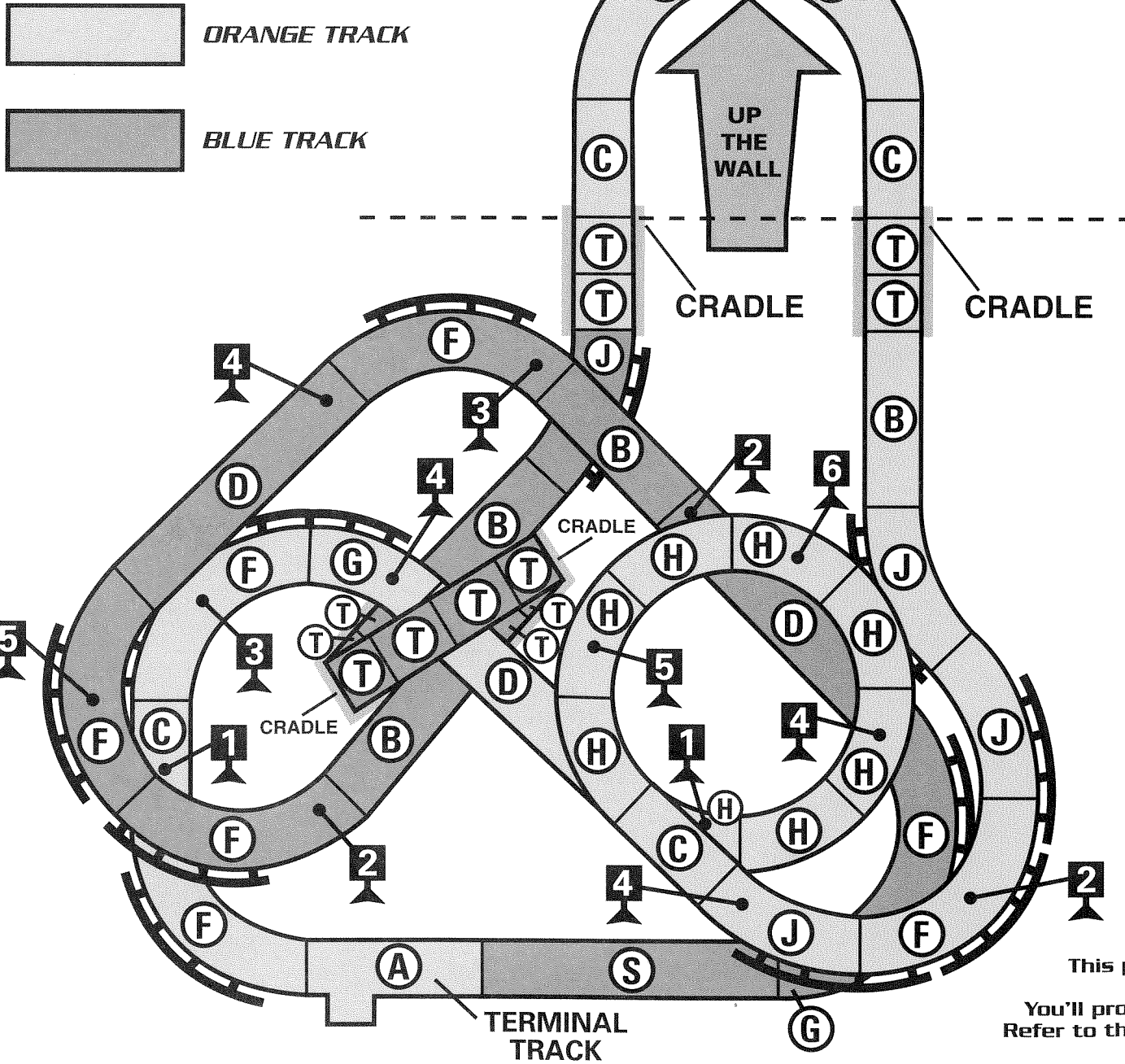
IF ANY PARTS ARE MISSING OR DAMAGED - DON'T RETURN YOUR RACE SET TO THE STORE!
CALL OUR RACING SUPPORT TEAM TOLL-FREE AT 1-888-557-8926 FOR HELP.

CONTENTS LIST

 A 1 x 9" TERMINAL TRACK	 B 4 x 9" STRAIGHT	 C 4 x 6" STRAIGHT	 D 3 x 15" STRAIGHT	 F 7 x 9" RADIUS CURVE	 G 2 x 9" RADIUS 1/8	 H 8 x 9" RADIUS BANK TRACK	 J 4 x 12" RADIUS 1/8	 L 2 x 9" RADIUS 1/4 CURVE DBL RAIL	 S 1 x 15" SQUEEZE	 T 12 x TRANSITION TRACK				
 1 x SANDPAPER	 12 x GUARDRAILS	 2 x CONTROLLERS	 4 x CRADLES	 1 x WALL POWER PACK	 1 x CARDBOARD	 2 x VEHICLES	 2 x LARGE CLIPS	 2 x CLIPS	 1 2 x #1 SUPPORTS	 2 3 x #2 SUPPORTS	 3 2 x #3 SUPPORTS	 4 4 x #4 SUPPORTS	 5 2 x #5 SUPPORTS	 6 1 x #6 SUPPORTS

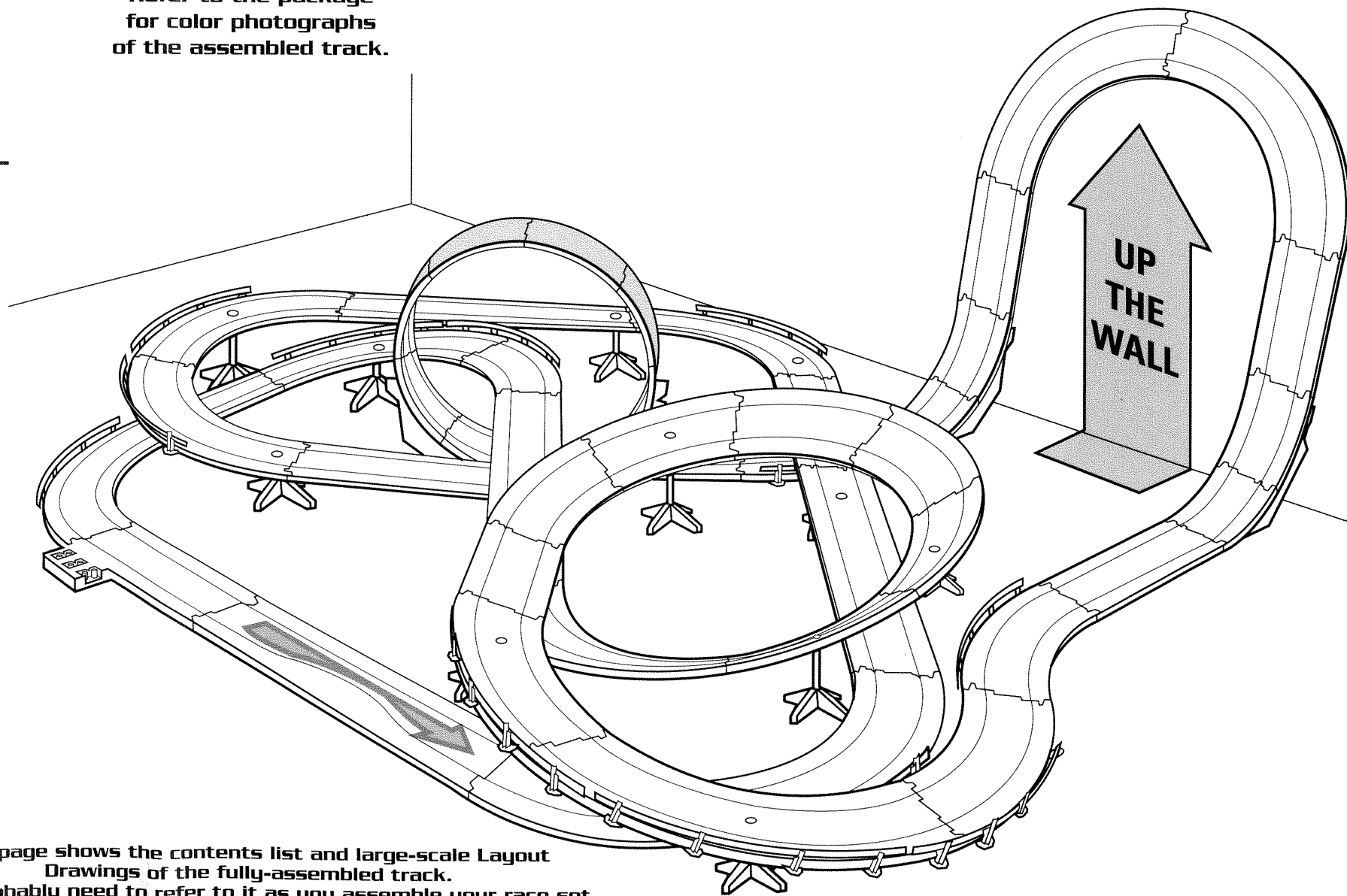
LAYOUT DRAWING - TOP VIEW

Track layout dimension is 4' 3" x 3' 6"



LAYOUT DRAWING - 3-D VIEW

Refer to the package for color photographs of the assembled track.



This page shows the contents list and large-scale Layout Drawings of the fully-assembled track. You'll probably need to refer to it as you assemble your race set. Refer to the Instruction Sheet for detailed step-by-step instructions for setting up and using your race set.