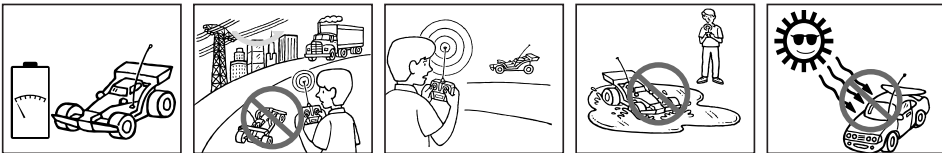


QUICK TIPS

- 1 When your vehicle starts to lose power, it may lose functions or performance. It's time for a recharge. For best stunt performance, always start with a fully-charged battery. Your vehicle's running time may change depending on your driving style.
- 2 Radio interference can make your vehicle run badly. Interference can be caused by other R/C vehicles running on the same frequency; electrical wires; large buildings; CB radios; or other wireless gear. Try to stay away from these!
- 3 Point your transmitter antenna up - not down toward your vehicle. If your vehicle gets too far away, it won't work properly.
- 4 Don't drive your vehicle in sand or through water or snow. If your vehicle does get wet, wipe with a towel and allow to dry completely.
- 5 Don't store your vehicle near heat or in direct sunlight. Always turn switches OFF and remove all batteries for storage. We recommend that you store your vehicle with the super stunt arm retracted.



i CONSUMER INFORMATION

Note to Adults: To ensure that the child's play is both safe and fun, please review all operating instructions and safety rules with your child.

SAFETY TIPS

- NEVER drive your vehicle on streets! They're for real cars!
- DO NOT pick up vehicle while in motion.
- Keep fingers, hair and loose clothing away from the tires and the wheel hubs while the vehicle is switched ON.

⚠ CAUTION: To prevent entanglement, keep hair away from wheels.

- Adult supervision is recommended when this vehicle is being operated.
- To avoid accidental operation, remove all batteries when not in use. Always turn the vehicle OFF before removing batteries.

BATTERY SAFETY INFORMATION

In exceptional circumstances batteries may leak fluids that can cause a chemical burn injury or ruin your toy (product). To avoid battery leakage:

- Non-rechargeable batteries are not to be recharged.
- Rechargeable batteries are to be removed from the toy before being charged (if designed to be removable).
- Rechargeable batteries are only to be charged under adult supervision (if designed to be removable).
- Do not mix alkaline, standard (carbon-zinc), or rechargeable (nickel-cadmium) batteries.
- Do not mix old and new batteries.
- Only batteries of the same or equivalent type as recommended are to be used.
- Batteries are to be inserted with the correct polarity.
- Exhausted batteries are to be removed from the toy.
- The supply terminals are not to be short-circuited.
- Dispose of battery(ies) safely.
- Do not dispose of this toy in a fire. The batteries inside may explode or leak.

Battery Performance Note:

For best performance use regular or high-performance alkaline batteries (where disposable batteries are called for). If your vehicle is supplied with standard (carbon-zinc) batteries for initial use and/or demonstration purposes, we recommend replacing them with alkaline batteries when necessary. Battery life may vary depending on battery brand.

90-DAY LIMITED WARRANTY – TYCO® R/C PRODUCTS

Mattel, Inc. warrants to the original consumer purchaser that this product will be free of defects in material and workmanship for ninety (90) days (unless specified in alternate warranties) from the date of purchase. Mattel will replace the product in the event of such a defect within the warranty period. In the event of a defect covered under this warranty, first call the toll-free number listed below. Many problems can be solved in this manner. If necessary, you will be instructed to return the product, postage prepaid and insured, to the address below. Enclose your name, address, dated sales receipt, and a brief explanation of the defect. Replacement and return shipment will be free of charge.

This warranty does not cover damage resulting from unauthorized modification, accident, misuse or abuse. If the product is returned without a dated sales receipt the product may be excluded from coverage under this warranty.

Mattel's liability for defects in material and workmanship under this warranty shall be limited to replacement, and in no event shall we be responsible for incidental, consequential, or contingent damages (except in those states that do not allow this exclusion or limitation). This warranty is exclusive, and is made in lieu of any express or implied warranty. **Valid only in U.S.A.** This warranty gives you specific legal rights and you may have other rights, which vary from state to state. Some states do not allow the exclusion of incidental or consequential damages, so the above exclusions or limitations may not apply to you.
TOLL-FREE NUMBER: 1-888-557-TYCO (8926) (**valid only in U.S.A.**)Hours: 8:00 A.M. - 5:00 P.M. Eastern Time; Monday - Friday. Expect some delay in January following the holiday season. Please be patient and keep trying the toll-free number.ADDRESS FOR RETURNS: CONSUMER RELATIONS, 636 GIRARD AVENUE, EAST AURORA, NY 14052

©2004 Mattel, Inc., Mt. Laurel, NJ 08054 U.S.A. **PRINTED IN CHINA.** All Rights Reserved. MATTEL, TYCO and associated trademarks and trade dress are owned by Mattel, Inc. Retain this address for future reference: Mattel U.K. Ltd., Vanwall Business Park, Maidenhead SL6 4UB. Helpline 01628 500303. Mattel Australia Pty Ltd., Richmond, Victoria 3121 - Consumer Advisory Service: 1300 135 312. Mattel East Asia Ltd, Room 1106, South Tower, World Finance Centre, Harbour City, Tsimshatsui, HK, China. Diimport &

Diedarkan Oleh: Mattel SEA Ptd Ltd. (993532-P) Lot 13.5, Menara Lien Hoe, Persiaran Tropicana Golf Country Resort, 47410 P.J. Tel: 03-78803817, Fax: 03-78803867.

COMPLIANCE WITH FCC REGULATIONS (VALID IN U.S. ONLY)

This device complies with part 15 of the FCC Rules. Operation is subject to the following two conditions: (1) This device may not cause harmful interference, and (2) this device must accept any interference received, including interference that may

cause undesired operation. This device generates and uses radio frequency energy and if not used properly may cause interference to radio and television reception. It has been tested and found to comply with the limits set by the FCC which are designed to provide reasonable protection against such interference.

NOTE: Changes or modifications not expressly approved by the manufacturer responsible for compliance could void the user's authority to operate the equipment.



TYCO® R/C SUPPORT

Questions or problems with your product?
DON'T RETURN IT TO THE STORE!
Just call us for help.

U.S. consumers may also register their products at this number.

1 888 557-TYCO (8926)

tycorc.com

Keep these instructions for future reference: they contain important information. IMPORTANT: Please read all "Consumer Information" (last page) before operating your vehicle.

⚠ CAUTION: Surfaces may become hot and cause burns if electronics get wet. Do not operate vehicle through water or snow.

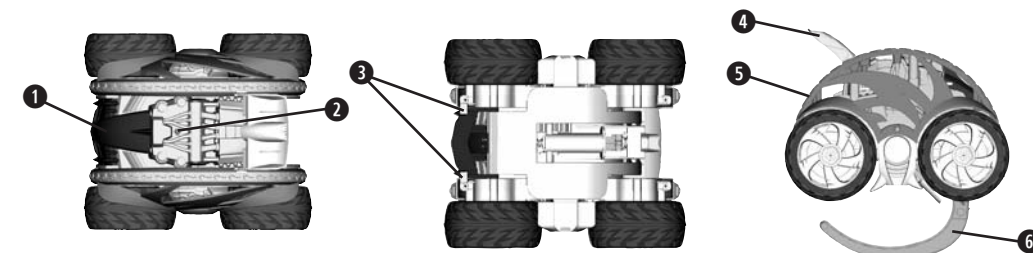
USER'S MANUAL

This manual contains important information about the use and maintenance of your vehicle. The included DRIVER'S GUIDE tells you how to drive your vehicle...and how to do the wildest stunts ever!

CONTENTS/FEATURES

Vehicle

(Shown with all 4 wheels attached – please see Note below)



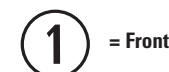
- 1 Battery door
- 2 LED Indicator

- 3 Battery door latches (x2)

- 4 Rear wing
- 5 ON/OFF switch
- 6 Super stunt arm

NOTE: When you take your vehicle out of the box, you will need to perform a few simple steps to get it ready for action:

1. Attach 1 front wheel and 1 back wheel. This is a simple, one-time process. Each wheel is marked with its own symbol for easy identification, and the chassis is marked with a corresponding symbol.

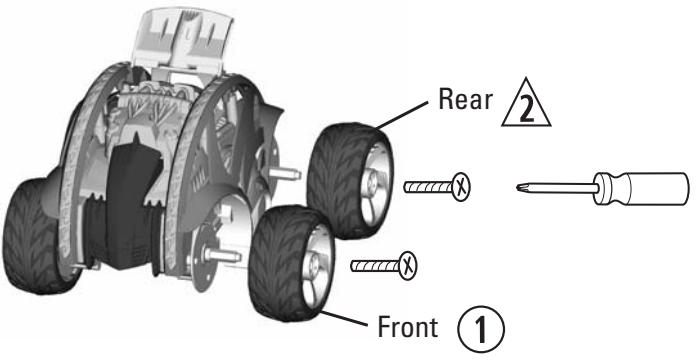


= Front

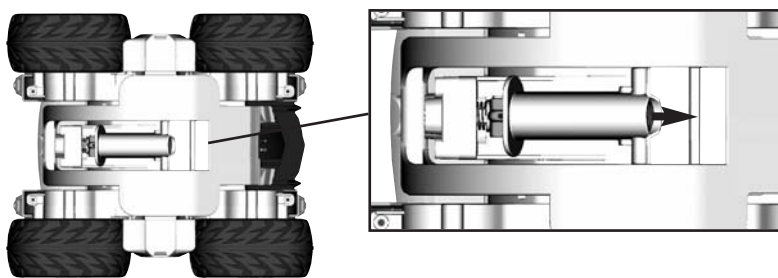


= Rear

First, match the symbol on the inside of the tire to the corresponding symbol on the chassis, as shown. Then slide each wheel onto the axle and tighten the screw as shown (screwdriver not included).



2. Snap the shock absorber onto the super stunt arm as shown. Carefully align the shock absorber with the steel bar, and push to snap it into place.



NOTE: If the super stunt arm ever gets stuck in the extended position, simply turn the vehicle's power switch OFF and pull the arm away from the vehicle body until it unsnaps from the shock absorber. Before operating the vehicle again, reattach the shock absorber as described in Number 2.

PROTECTION SYSTEMS
Your vehicle is equipped with advanced systems to protect its electronic components.

SMART CIRCUITRY
Special "Smart Circuitry" is designed to cut your vehicle's power in the event it stalls or gets stuck. This does not indicate a problem with the vehicle! Simply release the transmitter controls for a few seconds, then resume normal operation.

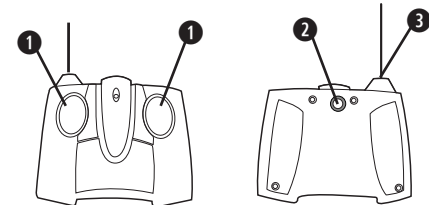
LED INDICATOR
The LED indicator can give you important information about your vehicle's status. In normal operation, the LED is OFF.

- If the LED indicator comes on and glows steadily (typically under extreme operating conditions), the vehicle will stop running temporarily. This does not indicate a problem with the vehicle! Simply release the transmitter controls and wait until the LED indicator goes off (this could take a couple of minutes). Don't remove or touch the vehicle battery while the LED indicator is glowing steadily – the battery may be warm to the touch.
- If the LED indicator comes on and flashes, you need to recharge your vehicle's battery. Simply turn the vehicle switch OFF, remove the battery and recharge it. (You may want to consider purchasing a spare battery for non-stop driving action.)

Transmitter

- 1 Driving controls
- 2 Stunt button
- 3 Antenna

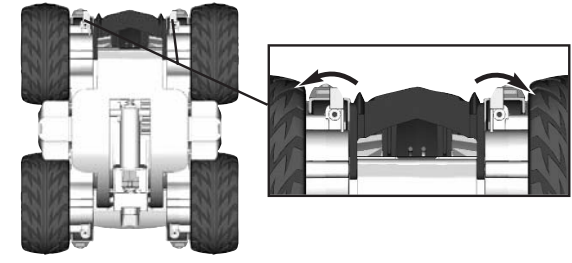
NOTE: Your transmitter is equipped with a special automatic ON battery-saving feature. Just turn your vehicle ON. Then activate the transmitter controls and you will be able to run and control your vehicle.



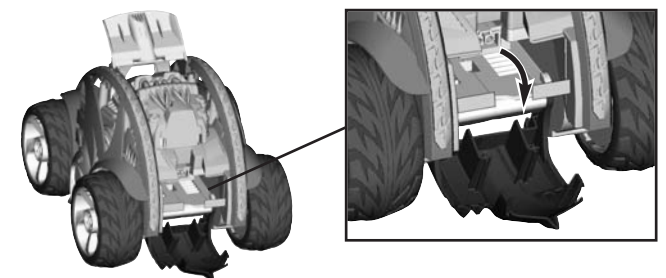
BATTERY INSTALLATION

Vehicle

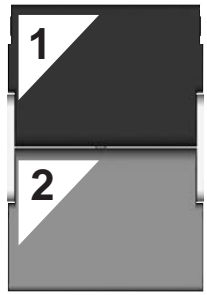
1. Rotate the 2 latches outward, as shown, to unlock the battery door.



Swing the battery door down.

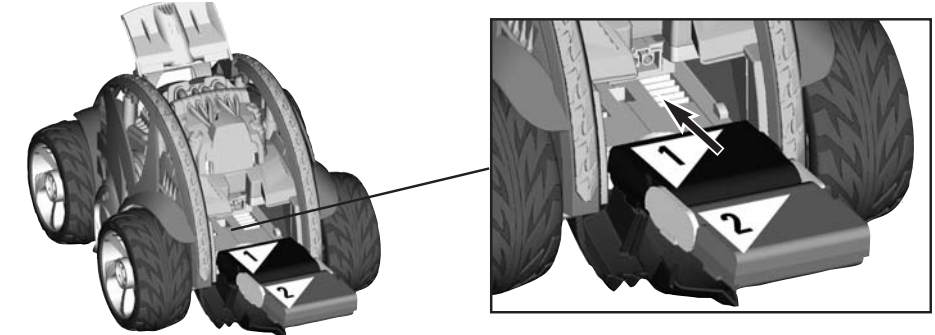


2. Make sure the TMH® FlexPak® battery pack is fully flat, so that the labels marked 1 and 2 are facing up, as shown.

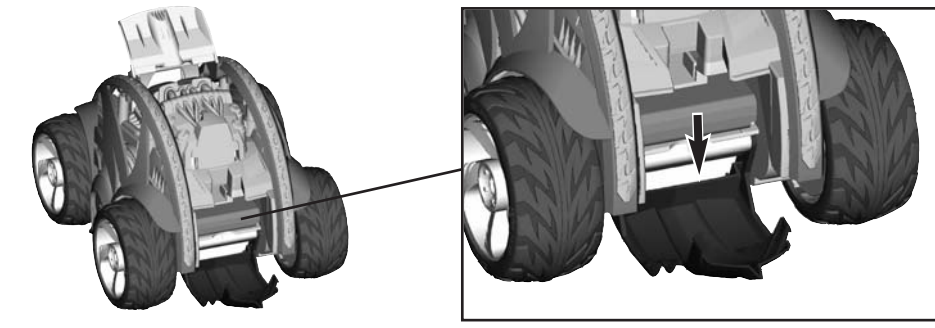


7.2V d.c.

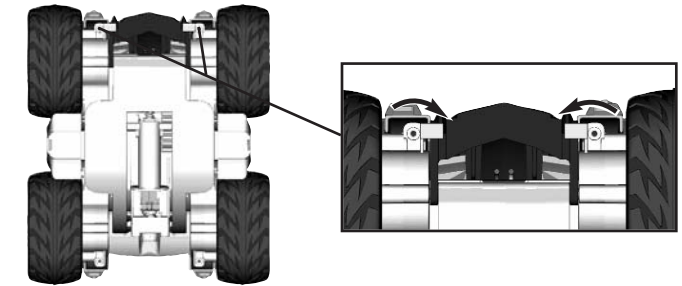
Insert the battery pack into the battery compartment as shown and slide it all the way into the battery compartment.



Press down to snap the battery pack into place.



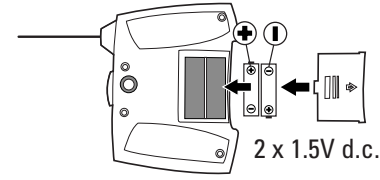
3. Swing the battery door up and push to close. Rotate the 2 latches inward, as shown, to lock the battery door.



NOTE: The super stunt arm must be in the retracted position in order to access the vehicle's battery compartment.

Transmitter

1. To install the transmitter batteries, open battery door as shown.
2. Install two LR6 (AA) batteries with polarity (+/-) as shown inside battery compartment.
3. Close battery door.



BATTERY CHARGING/CARE

For detailed information regarding NiMH vehicle battery charging and safety, please follow the specific instructions that came with your battery pack and charger.