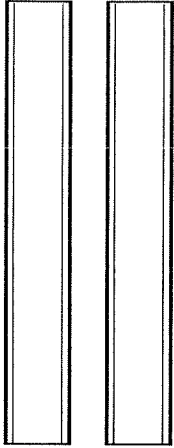
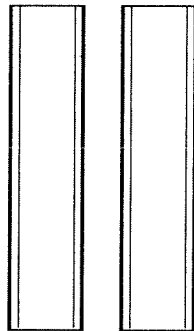


Requires 2 "D" size Alkaline batteries (not included).

**5+**



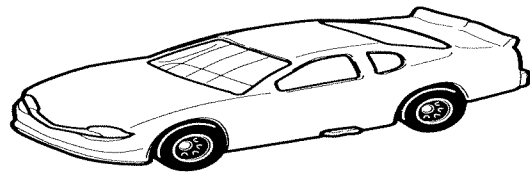
**(A)**  
LONG TRACK



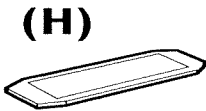
**(B)**  
MEDIUM TRACK



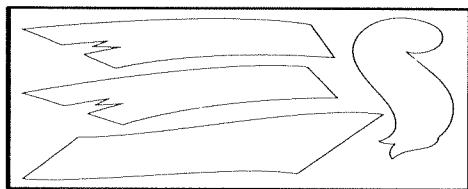
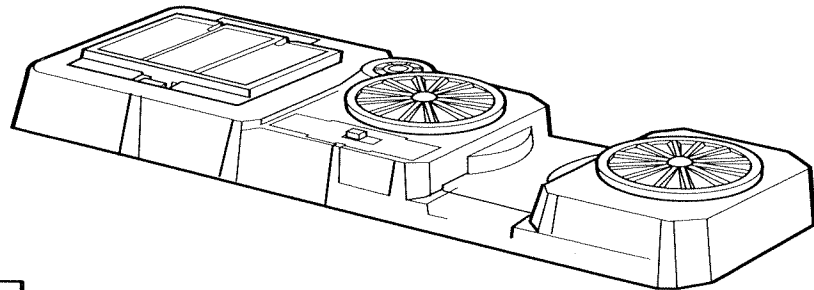
**(C)**  
SHORT TRACK



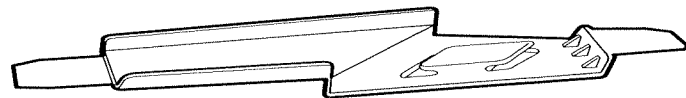
HOT WHEELS<sup>®</sup> CAR



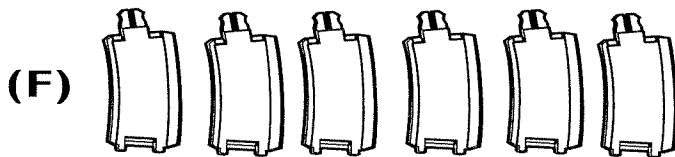
**(H)**



LABELS



**(G)** JUMP INTERSECTION



**(F)**



**(E)**

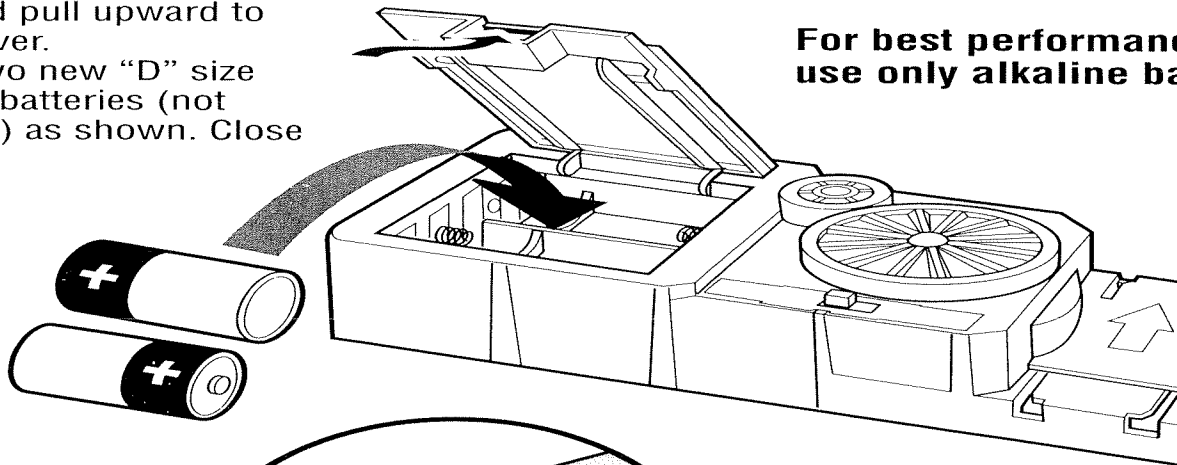


**(D)**

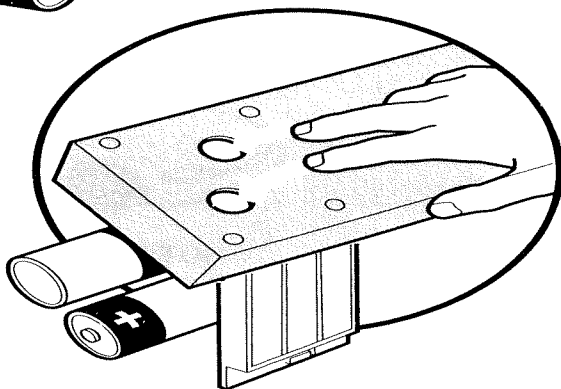
© 2002 Mattel, Inc., El Segundo, CA 90245 U.S.A.

# 1. INSTALL BATTERIES

Press in tab on battery door and pull upward to open cover. Insert two new "D" size Alkaline batteries (not included) as shown. Close cover.



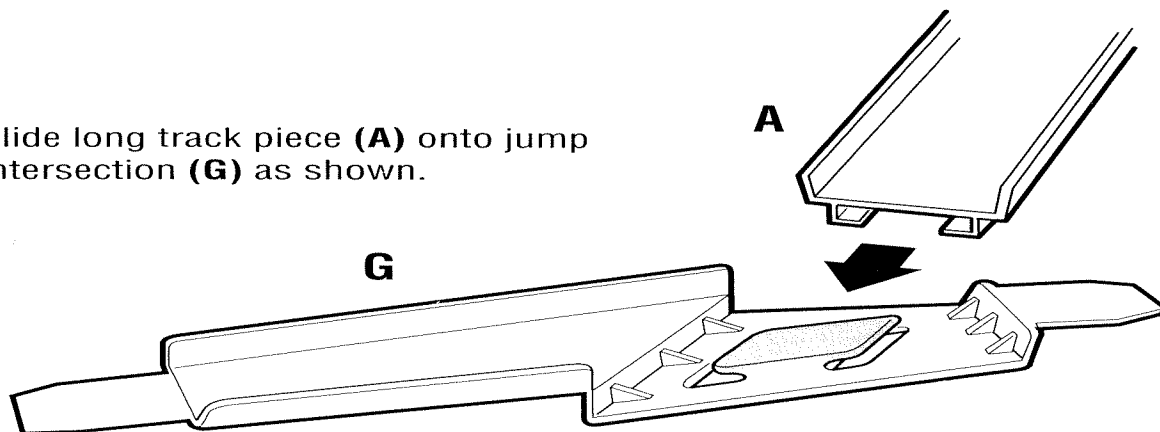
For best performance, use only alkaline batteries.



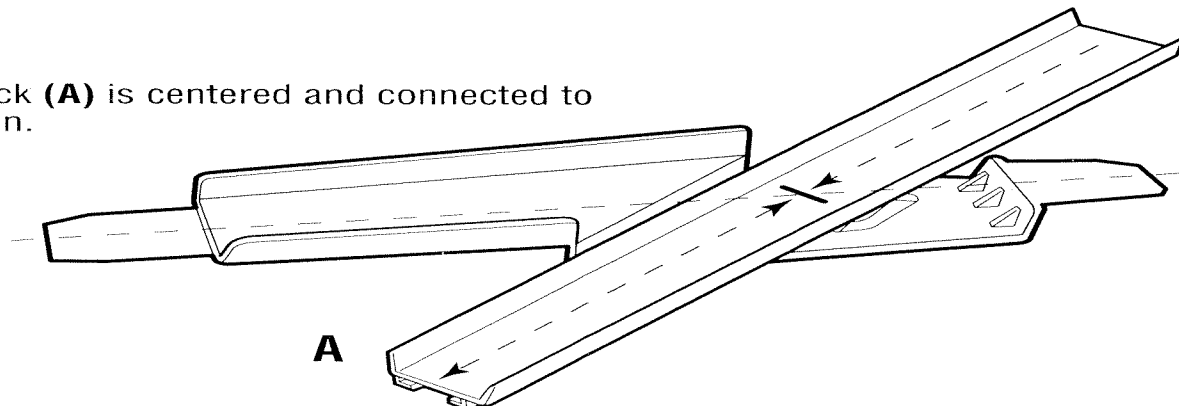
Push fingers through holes in bottom to remove batteries.

# 2. ASSEMBLE JUMP INTERSECTION

Slide long track piece (A) onto jump intersection (G) as shown.

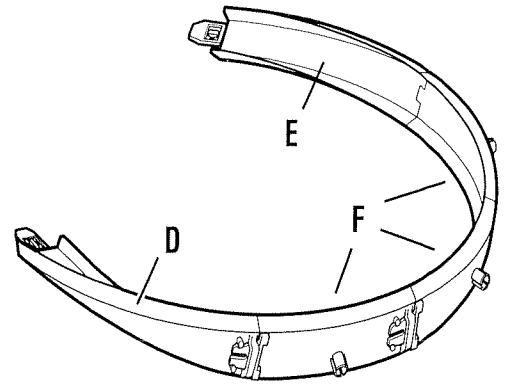
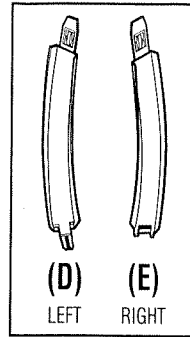
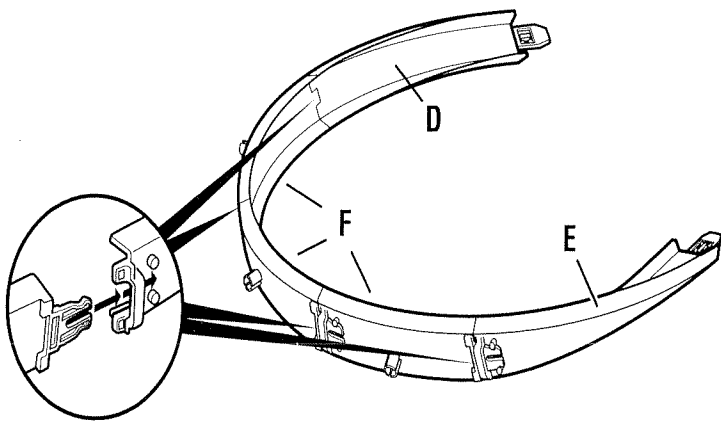


Make sure track (A) is centered and connected to the intersection.



### 3. ASSEMBLE CURVE SECTIONS

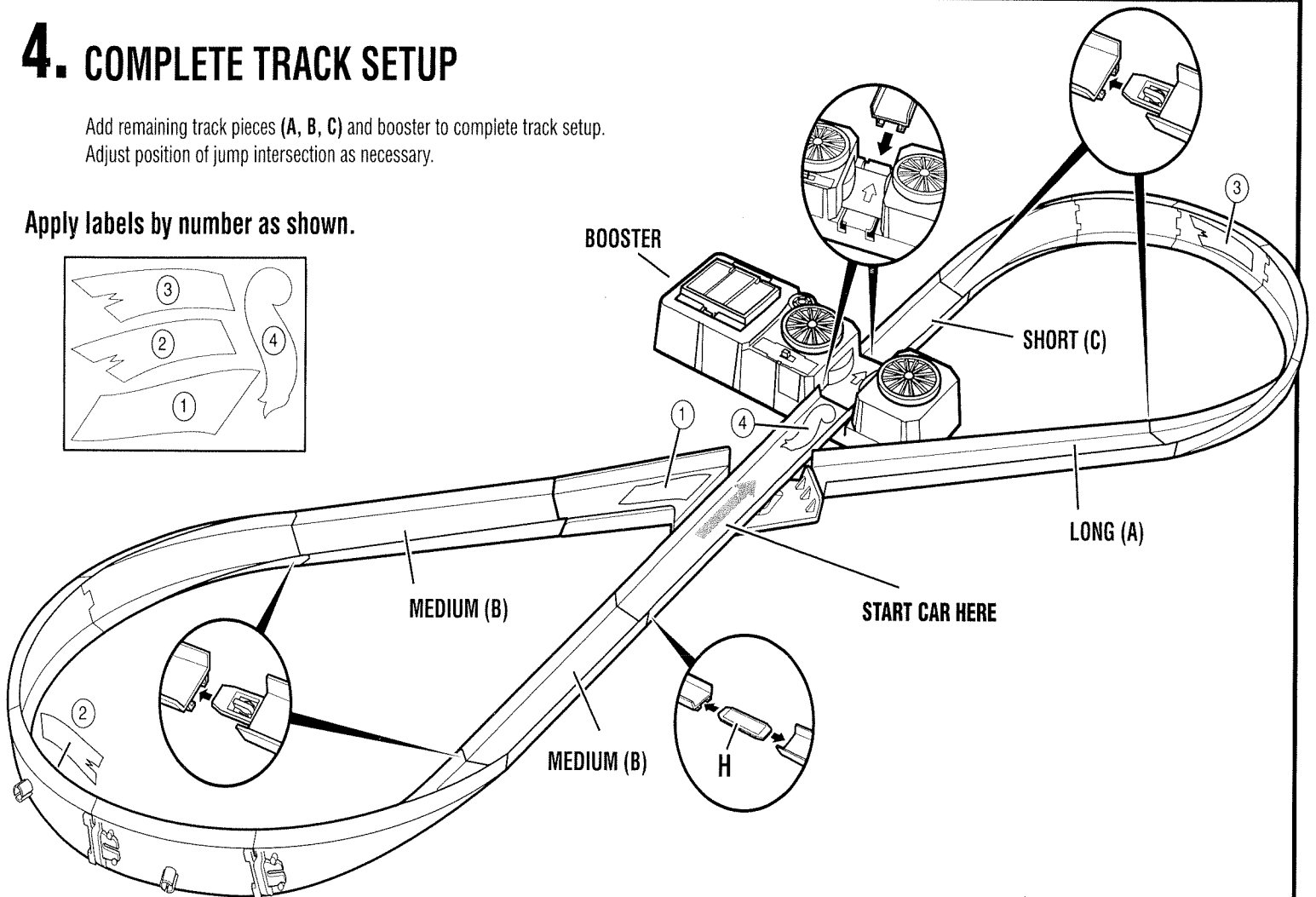
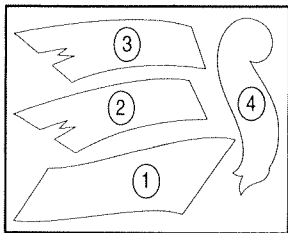
Connect as shown to assemble two curves sections.



### 4. COMPLETE TRACK SETUP

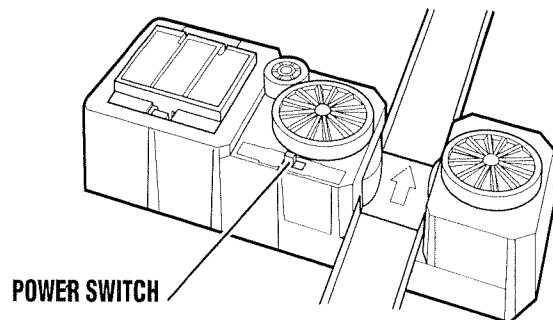
Add remaining track pieces (A, B, C) and booster to complete track setup. Adjust position of jump intersection as necessary.

Apply labels by number as shown.



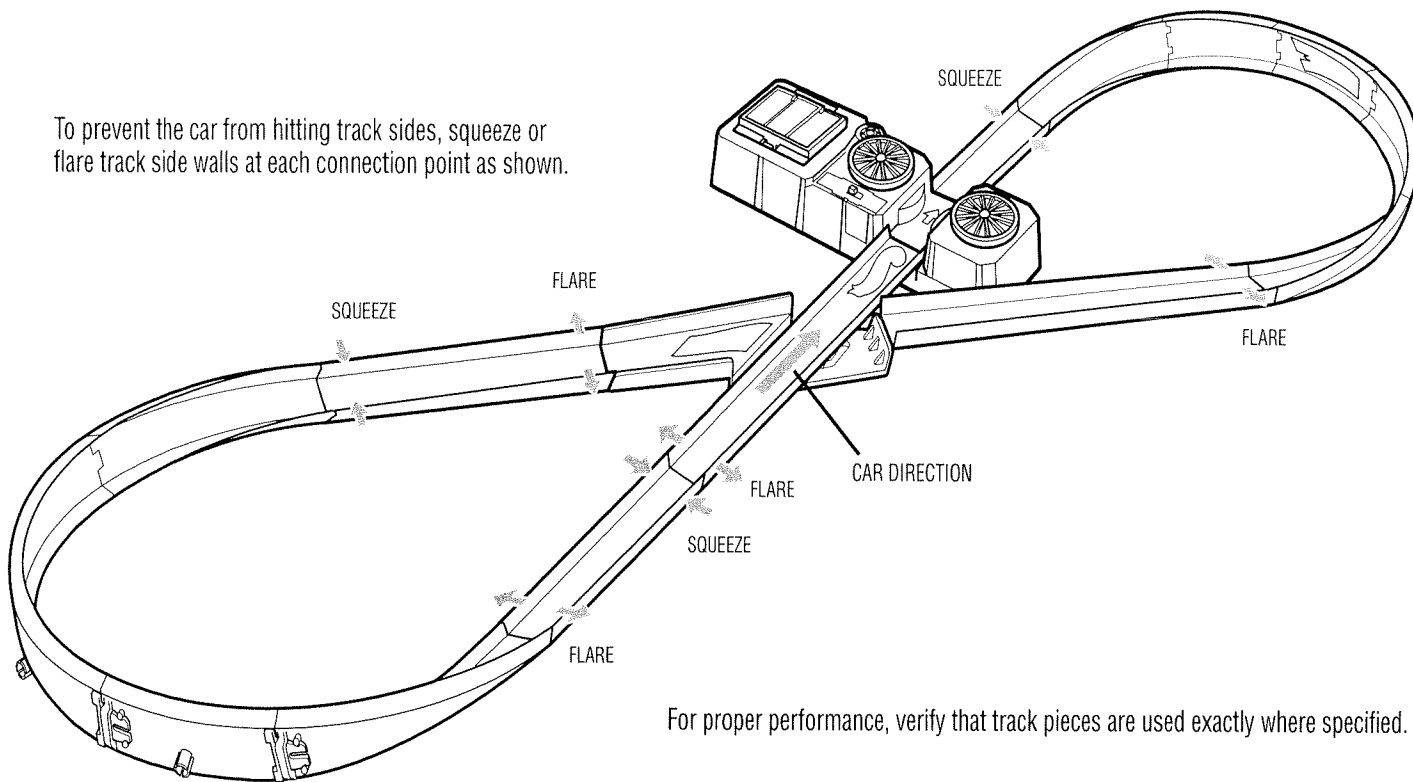
### 5. TO PLAY

1. Turn booster on.
2. Push car through the booster and watch it speed through the track.

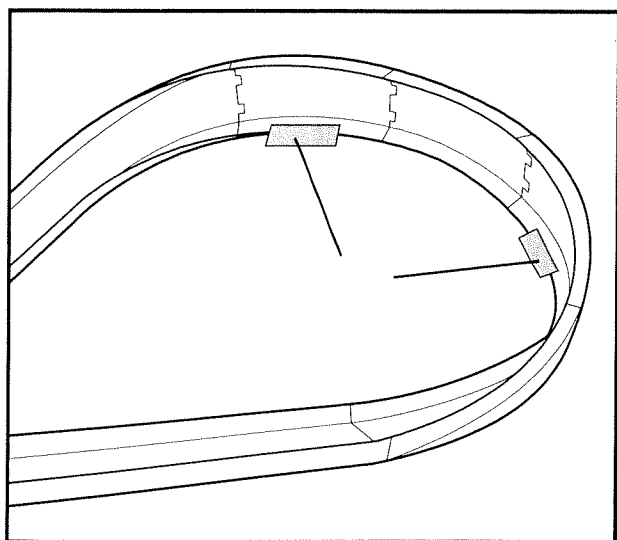


## PERFORMANCE AND TROUBLESHOOTING TIPS:

To prevent the car from hitting track sides, squeeze or flare track side walls at each connection point as shown.



For proper performance, verify that track pieces are used exactly where specified.



To anchor track securely, place tape on inside edges of curves as shown.

Keep these instructions for future reference, as they contain important information.

**CONSUMER INFORMATION**

MATTY MATTEL™ toys

**YOU CAN TELL IT'S MATTEL!™** Call us toll-free or write with any comments or questions about our products or service. Monday-Friday, 8:00 a.m.-6:00 p.m. Eastern Time. Outside U.S.A., see telephone directory for Mattel listing. Consumer Relations, Mattel, Inc., 333 Continental Blvd., El Segundo, CA 90245 U.S.A.

---

**1 (800) 524-TOYS**

---

CONFORMS TO THE SAFETY REQUIREMENTS OF ASTM F963.

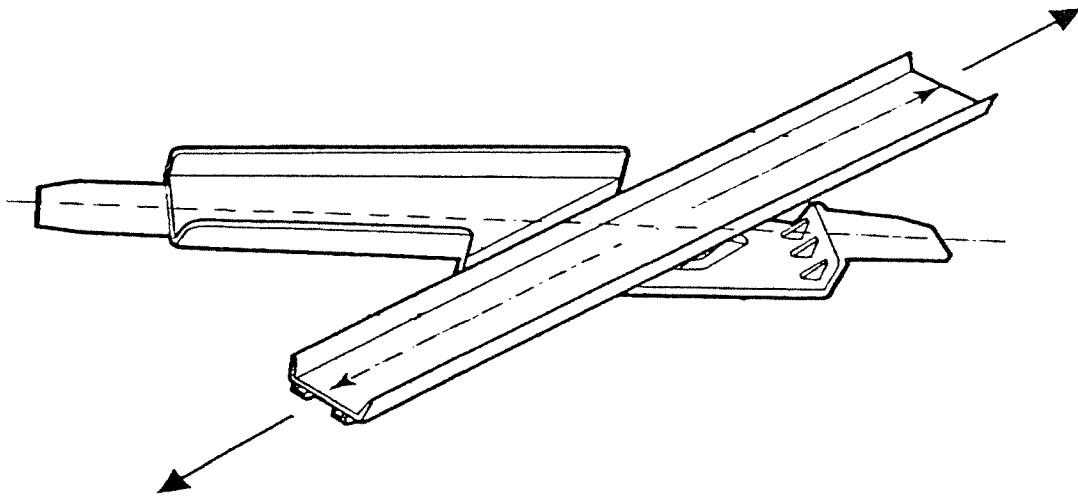
**We are dedicated to quality products.**

## BATTERY SAFETY INFORMATION:

1. Non-rechargeable batteries are not to be recharged.
2. Rechargeable batteries are to be removed from the product before they are charged.
3. If removable rechargeable batteries are used, they are only to be charged under adult supervision.
4. Do not mix alkaline, standard (carbon-zinc), or rechargeable (nickel-cadmium) batteries.
5. Do not mix old batteries and new batteries.
6. Only batteries of the same or equivalent type as recommended are to be used.
7. Be sure to insert batteries with the correct polarities and always follow the toy and battery manufacturers' instructions.
8. Exhausted batteries are to be removed from the product.
9. The supply terminals are not to be short-circuited.
10. Dispose of batteries safely. Do not dispose of in a fire as batteries may explode or leak.

**For improved car performance**, adjust 14-1/2" Track (A) by sliding it either way at the Jump Intersection:

**Para un mejor rendimiento del auto**, ajustar la pista de 36 cm (A) deslizándola en cualquier dirección en la intersección de salto:



**To stabilize the track set**, place a book on top of the Power Charger unit.

**Para estabilizar el conjunto de pista**, colocar un libro encima de la unidad del cargador eléctrico.

