

Fisher-Price®

B9701



**Rocking fun
for littlest ones!**



**Help toddlers roll along!
Extra long handle for comfort.**



**Remove handle
for pedaling fun.
Seat adjusts for
growing kids!**

Please keep this instruction sheet for future reference,
as it contains important information.

Adult assembly is required.

Age: 1½ years - 5 years.

Weight Limit: 50 lbs (23 kg).

Tools needed for assembly: Phillips Screwdriver,
Hammer and Scrap Block of Wood (all not included).

www.fisher-price.com

Consumer Information

WARNING

To avoid serious injury:

- Adult supervision required.
- Never use near cars and other motor vehicles, near streets, steps, sloped driveways, hills, roadways, alleys, swimming pools, or other bodies of water.
- Always wear shoes or sneakers.
- Never allow more than one (1) rider.



CONSUMER ASSISTANCE

Call toll free: 1-800-432-5437 (US & Canada only)
M-F 9AM to 7PM / SAT 11AM to 5PM (EST)

service.fisher-price.com

Write to us at: Fisher-Price® Consumer Relations,
636 Girard Avenue, East Aurora, New York 14052.

Hearing-impaired consumers using TTY/TDD equipment,
please call 1-800-382-7470.

For countries outside the United States:

Canada: Mattel Canada Inc., 6155 Freemont Blvd.,
Mississauga, Ontario L5R 3W2; www.service.mattel.com.

Great Britain: Mattel UK Ltd. Vanwall Business Park,
Maidenhead SL6 4UB. Helpline: 01628 500303.
www.service.mattel.com/uk

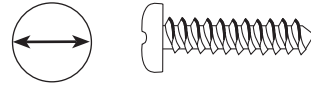
Australia: Mattel Australia Pty. Ltd., 658 Church Street,
Locked Bag #870, Richmond, Victoria 3121 Australia.
Consumer Advisory Service 1300 135 312.

New Zealand: 16-18 William Pickering Drive,
Albany 1331, Auckland.

Asia: Mattel East Asia Ltd, Room 1106, South Tower,
World Finance Centre, Harbour City, Tsimshatsui, HK, China.

Fasteners

Tighten and loosen all screws with a Phillips screwdriver. Do not over-tighten screws.



#10 x 3/4" Screw - 11



#8 x 3/4" Screw - 13



#8 x 3" Screw - 1



Cap Nut

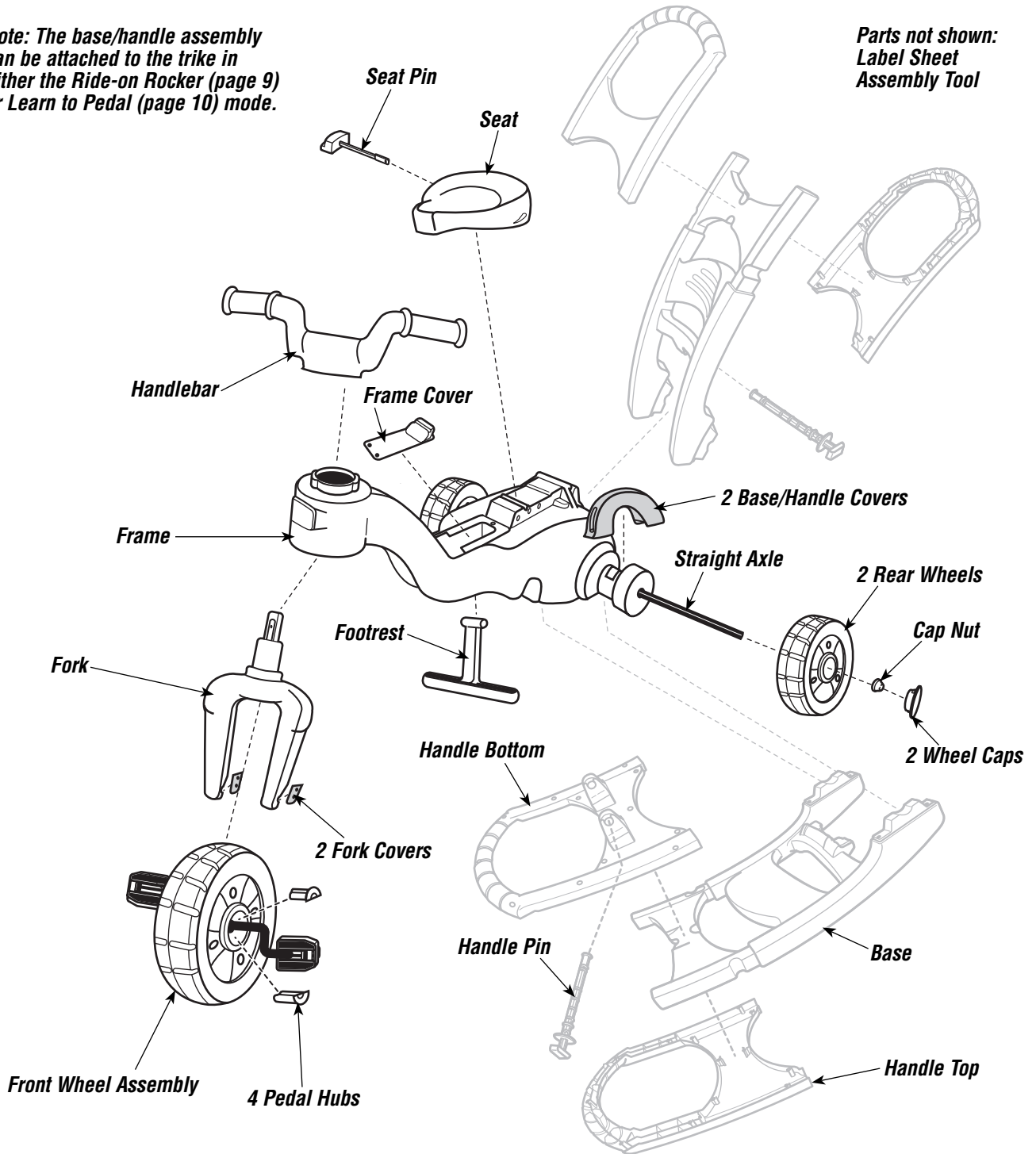
All SHOWN ACTUAL SIZE

***Note:** For your convenience,
an extra cap nut is included.

Parts

Note: The base/handle assembly can be attached to the trike in either the Ride-on Rocker (page 9) or Learn to Pedal (page 10) mode.

Parts not shown:
Label Sheet
Assembly Tool

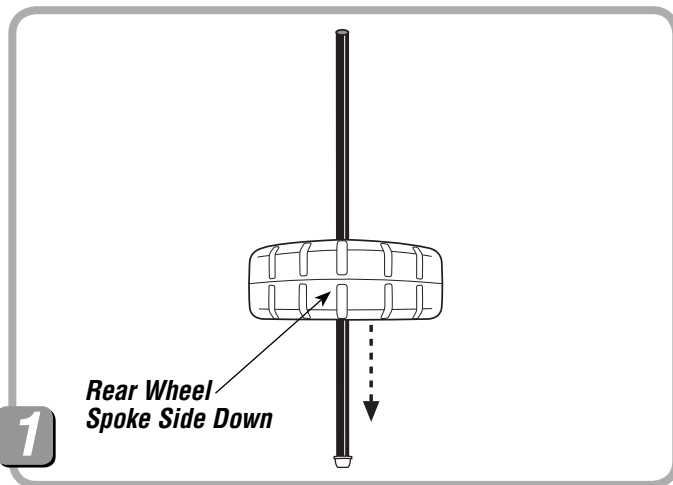


Assembly

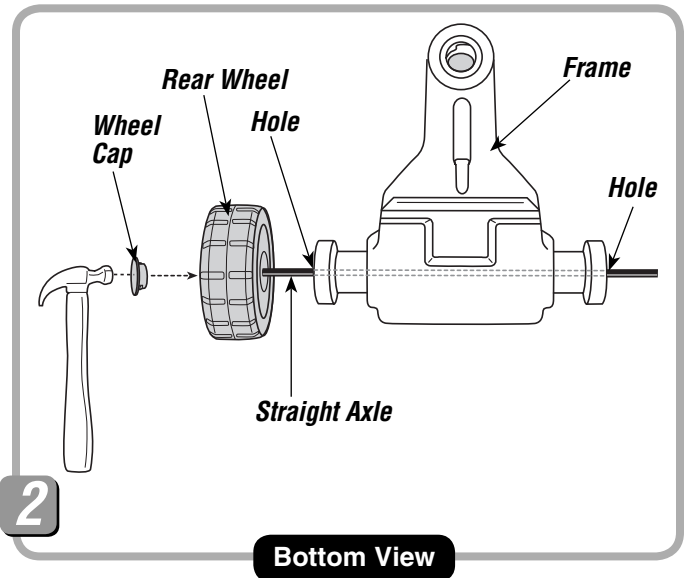
CAUTION

This product contains small parts in its unassembled state. Adult assembly is required.

- Please save all packaging material until assembly is complete to ensure that no parts are discarded.
- Please wipe each part with a clean, dry, cloth before assembling this product.

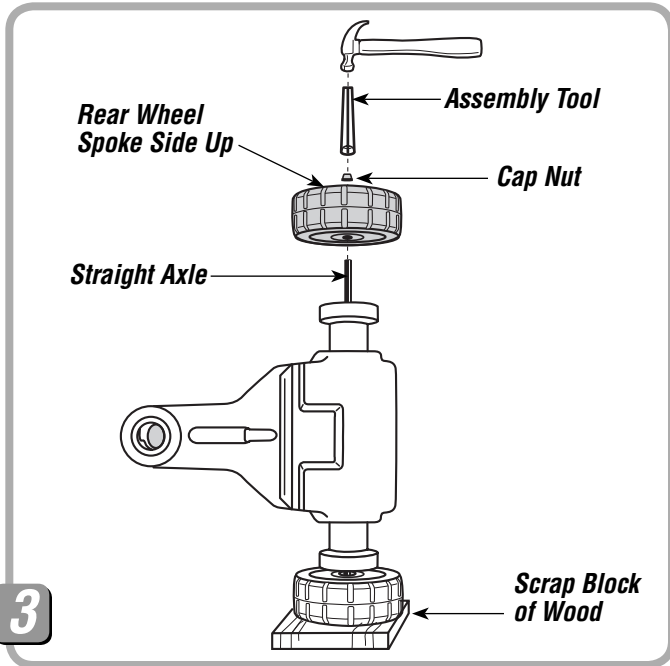


- Slide a rear wheel (*spoke side down*) onto the straight axle.

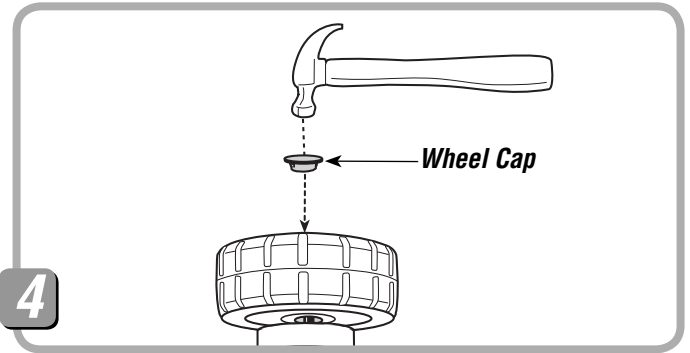


- Turn the frame upside down.
- Insert the straight axle assembly through the holes in the rear of the frame.
- Fit the wheel cap into the center of the wheel. Tap the wheel cap with a hammer to secure it to the wheel.

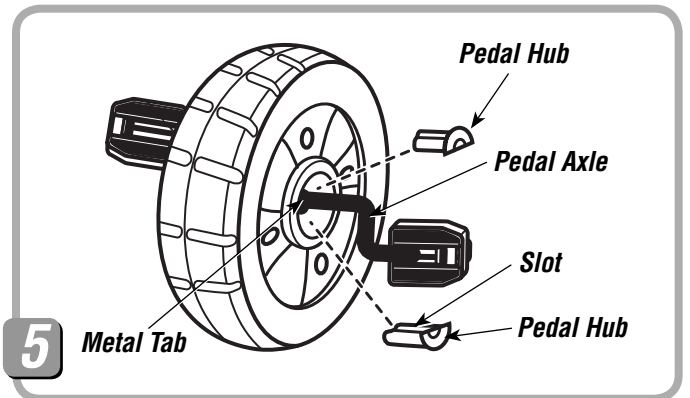
Assembly



- 3**
- Turn the frame on its side with the exposed end of the straight axle up.
 - Slide the other rear wheel (*spoke side up*) onto the end of the straight axle.
 - Place a cap nut on the end of the straight axle.
 - Cover the cap nut with the assembly tool.
 - Tap the assembly tool with a hammer. **Gently pull the rear wheel up to be sure the cap nut is securely attached to the straight axle.**

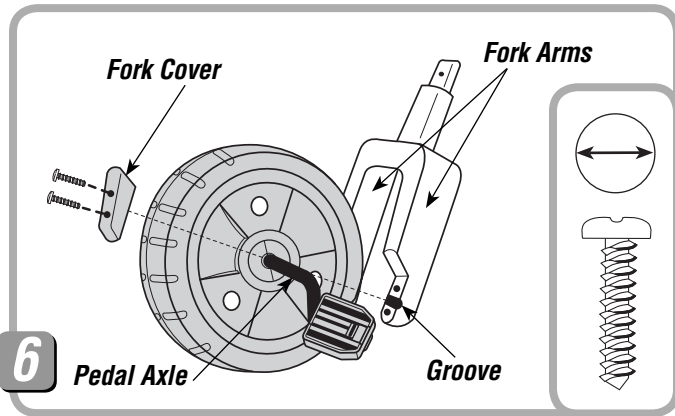


- 4**
- Fit the wheel cap into the center of the wheel. Tap the wheel cap with a hammer to secure it to the wheel.
 - Set the frame assembly aside.

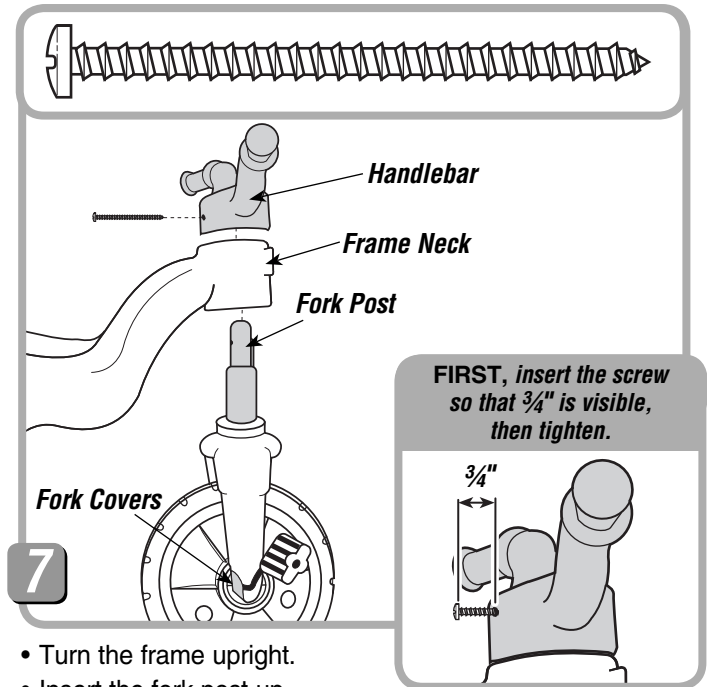


- 5**
- Fit two pedal hubs onto the pedal axle tabs. Make sure the tabs fit into the slot in each pedal hub.
 - While holding the pedal hubs on the pedal axle, insert the pedal axle into the hole in the center of the front wheel.
 - Push the pedal hubs into the center of the front wheel until they are flush with the surface of the front wheel.
 - Repeat this procedure for the other two pedal hubs on the other side of the front wheel assembly.

Assembly

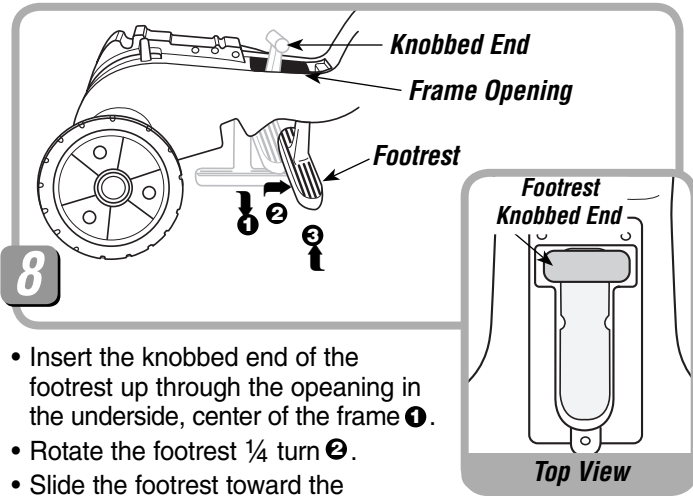


- Place the front wheel assembly between the fork arms. Make sure the pedal axle fits into the groove at the bottom of each fork arm.
- Place a fork cover over the pedal axle on one fork arm.
- Insert two #10 x $\frac{3}{4}$ " screws into the fork cover and tighten.
- Repeat this procedure to attach the other fork cover to the other fork arm, using the #10 x $\frac{3}{4}$ " screws.



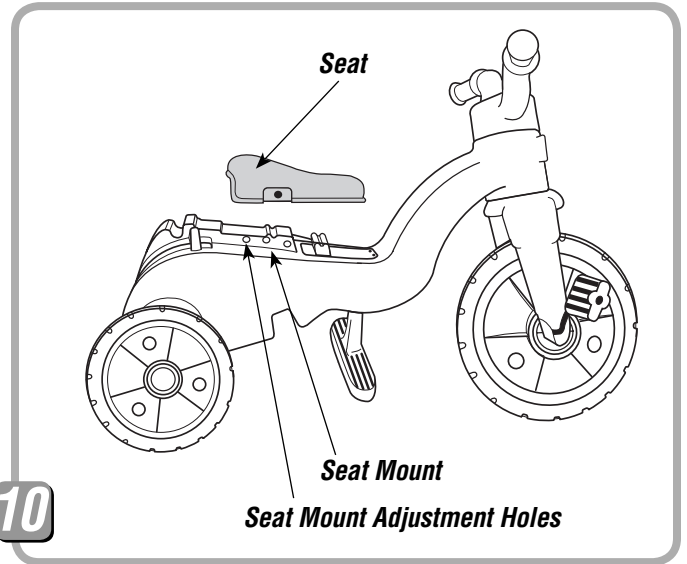
- Turn the frame upright.
- Insert the fork post up through the hole in the frame neck. **Make sure the fork is positioned so that the fork covers face the rear wheels.**
- Place the handlebar over the fork post and push it down onto the frame. Make sure the handlebar is positioned so that the screw hole faces the rear wheels and aligns with the screw hole in the fork post.
- Insert the #8 x 3" screw through the hole in the handlebar and into the fork post so that part of the screw (about $\frac{3}{4}$ ") is still visible. Tighten the screw.

Assembly



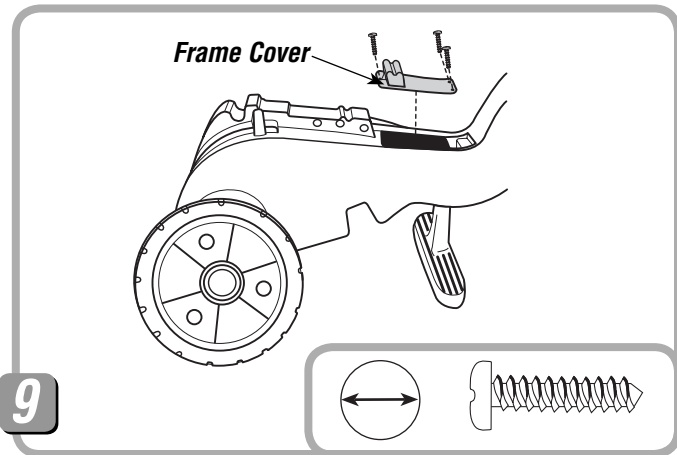
8

- Insert the knobbed end of the footrest up through the opening in the underside, center of the frame ❶.
- Rotate the footrest ¼ turn ❷.
- Slide the footrest toward the handlebar as far as it will go until the top of the footrest is positioned over the opening's rectangular cut-out.
- Lower the knobbed end of the footrest into the rectangular cut-out in the frame ❸.



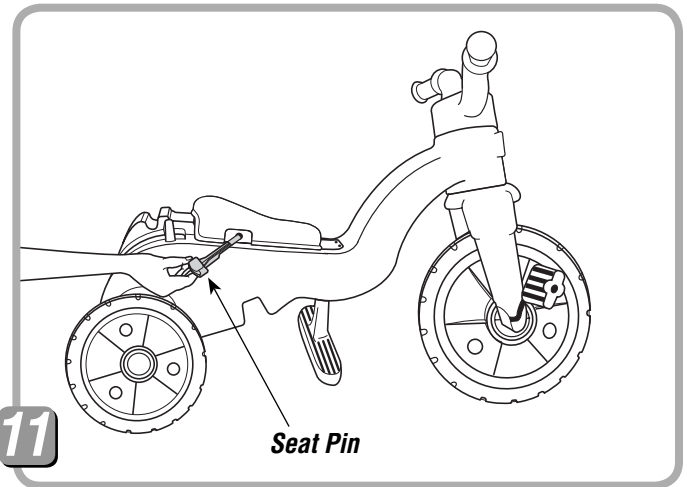
10

- Place the seat on the seat mount.
- Adjust the seat for your child's comfort by aligning the hole in the seat with one of the seat mount adjustment holes.



9

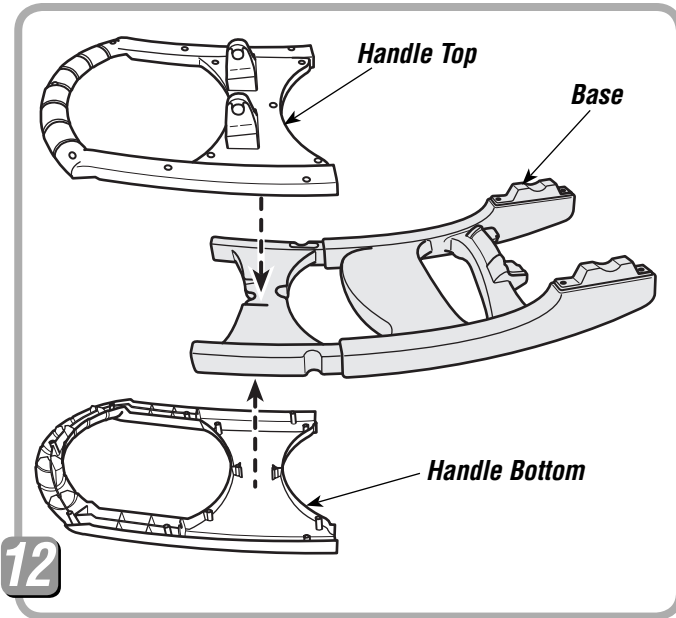
- Place the frame cover over the frame opening. Make sure the holes in the frame cover align with the holes on the frame.
- Insert three #10 x ¾" screws into the frame cover and tighten.



11

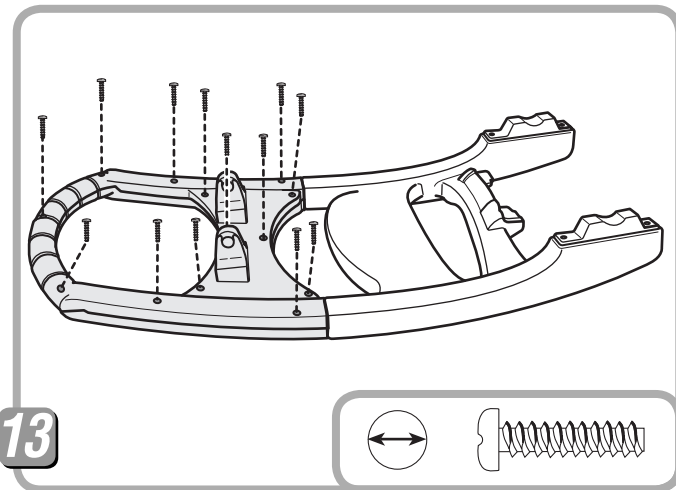
- While pushing down on the seat, insert the seat pin through the hole in the seat and into a seat mount adjustment hole.

Assembly



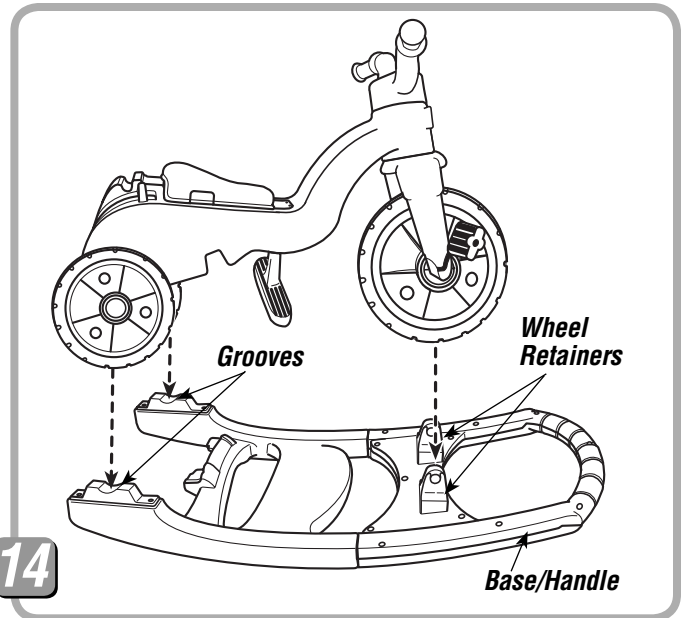
12

- Fit the handle top and bottom to the end of the base, as shown.



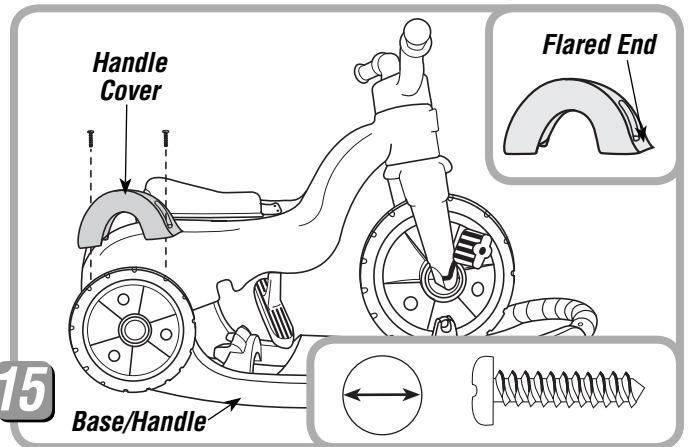
13

- Insert 13 - #8 x $\frac{3}{4}$ " screws into the handle top and tighten.



14

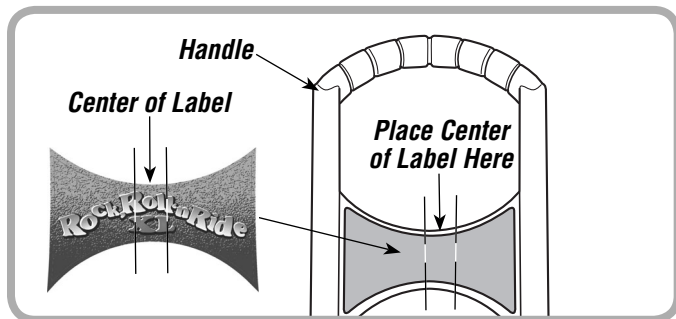
- Place the base/handle assembly on a flat surface so that the wheel retainers are upright.
- Fit the trike onto the base/handle assembly so that the rear frame rests in the grooves in the base and the front wheel fits between the wheel retainers in the base/handle.



15

- Position the base/handle covers so that the flared end faces the front of the trike.
- Fit the base/handle covers onto the trike rear frame near the rear wheels.
- Insert two #10 x $\frac{3}{4}$ " screws through each handle cover and tighten.

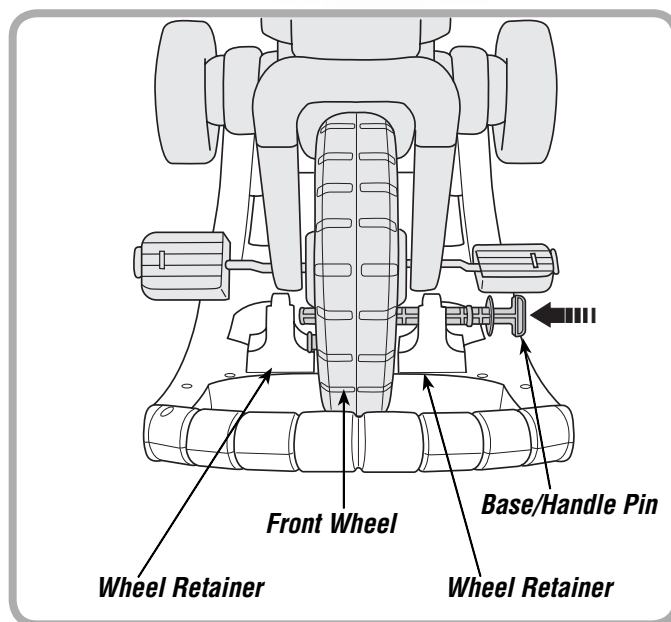
Decoration



- Before applying the label, wipe the surface of the handle with a clean, dry cloth to remove any dust or oils.
- Remove the backing from the label.
- First, position the center of the label on the handle, as shown. Then, smooth each end of the label outward to attach it to the handle.
- For best results, avoid repositioning a label once it has been applied to the handle.

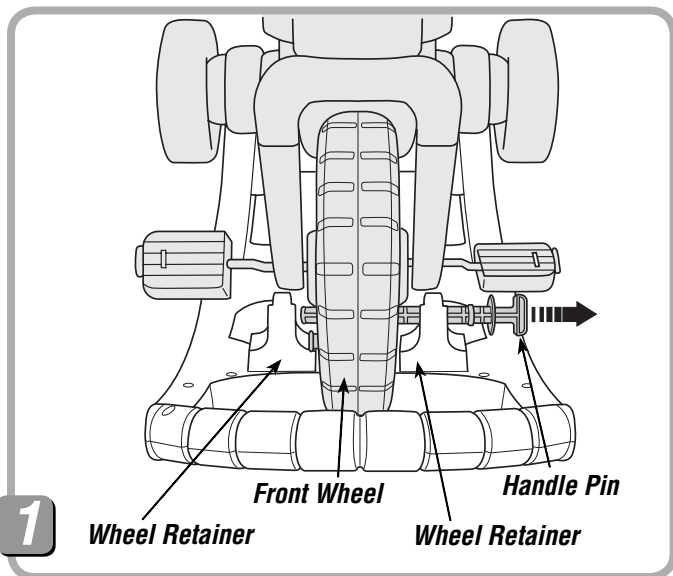
Rock Mode

IMPORTANT! Be sure to adjust the seat in the most forward position for Rock mode.

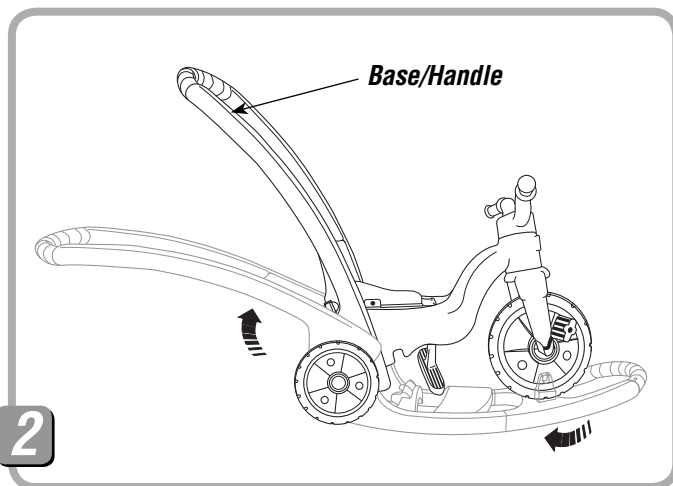


- Insert the base/handle pin through one wheel retainer, a hole in the front wheel and into the other wheel retainer.
- Push the handle pin to “snap” it into place. Pull on the handle pin to be sure it is secure.

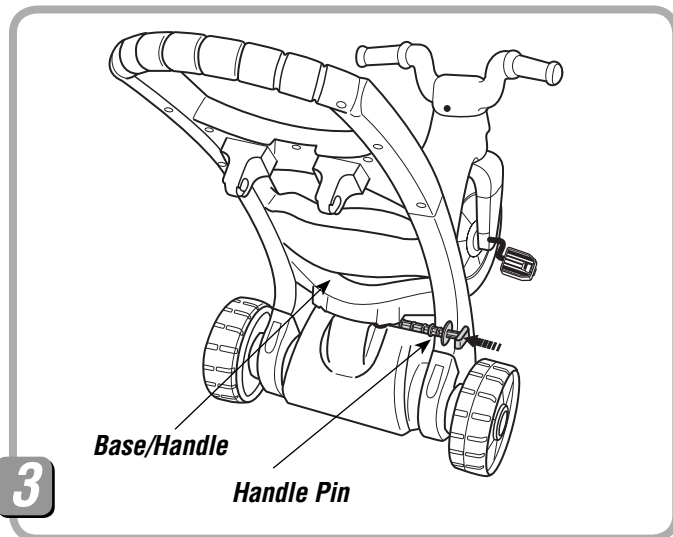
Roll Mode



- If you are converting from the rock mode, remove the handle pin from the wheel retainers and front wheel.

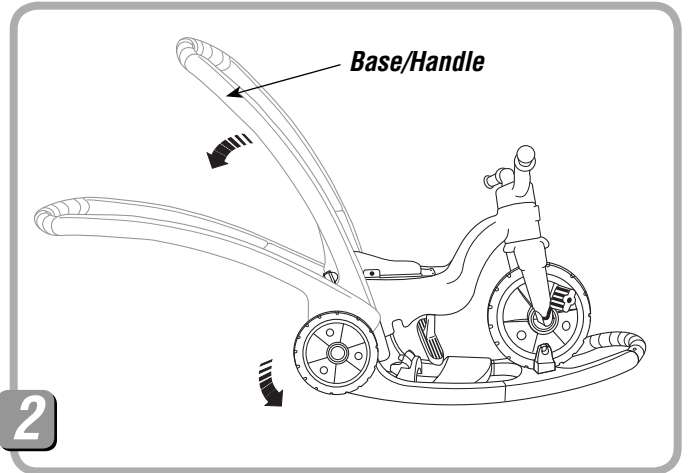


- Rotate the base/handle to the upright position.

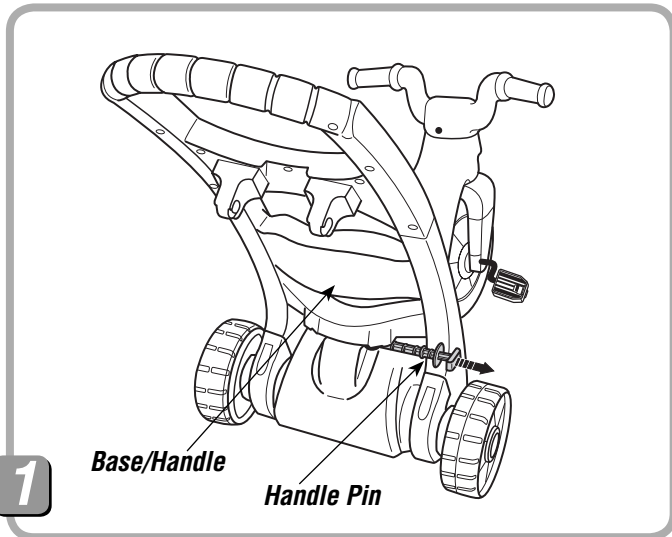


- Insert the handle pin through one side of the base/handle, through the holes in the back of the frame and out through the hole in the other side of the base/handle. **Make sure the handle pin “snaps” into place.**
- Pull on the handle pin to be sure it is secure.

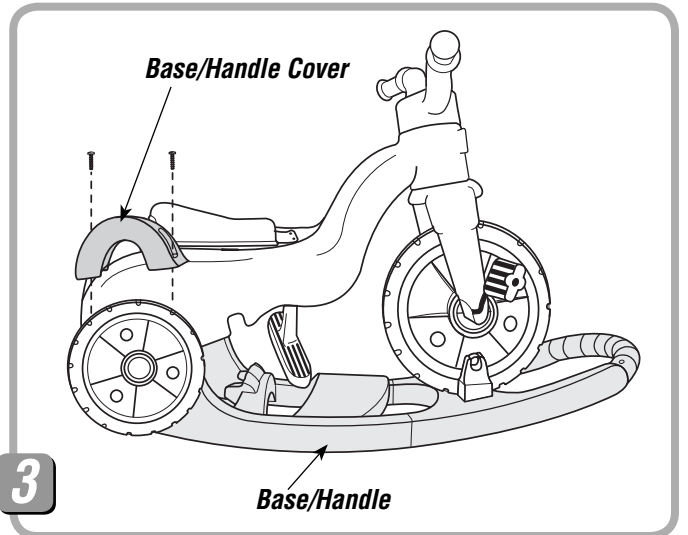
Ride Mode



- 2**
- Rotate the base/handle down, under the trike, to the rock position.

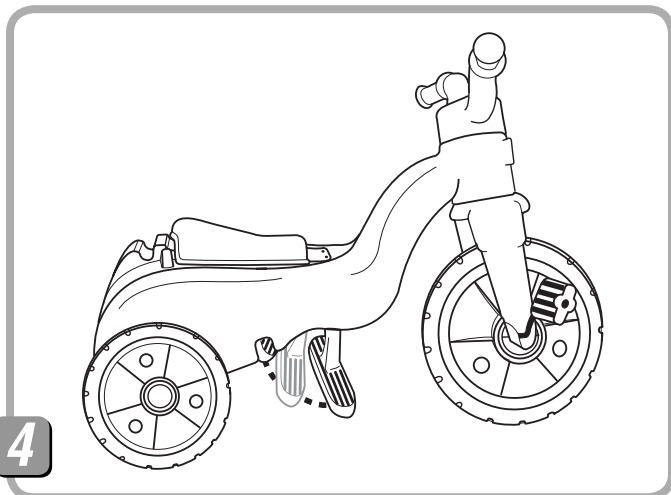


- 1**
- If you are converting from the roll mode, remove the handle pin from the base/handle and the back of the frame.



- 3**
- Remove the screws from the base/handle covers.
 - Remove the base/handle covers.
 - Remove the base/handle.

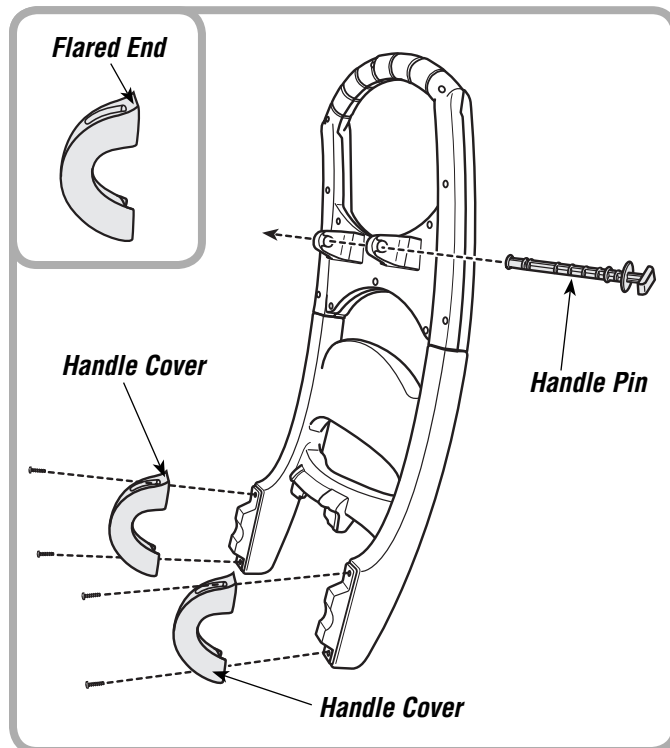
Ride Mode



- Rotate the footrest up toward the rear wheels and snap it into the recess in the underside of the frame.

IMPORTANT! It is good practice to start training children very young regarding the importance of helmet use. When children are older and riding bicycles and faster vehicles, it is important that they use a helmet each and every time they ride. For this reason, even while riding a tricycle, it is a good idea to familiarize your child with helmet use, so that it becomes a habit for life. Choose a helmet that complies with requirements of the applicable certifying agency for bicycle helmets.

Storage



Helpful Hint: To store for future use, position the handle covers with the flared end upright and attach them to the handle using the four screws. Insert the handle pin into either the holes in the base/handle or through the holes in the retainers. Store the base/handle in a safe place for future use in the rock or roll mode.

Maintenance

- Check plastic parts regularly and if broken or cracked, dispose of them properly.
- Check all fasteners regularly to be sure they are tight. If the fasteners are not tight, tighten them as necessary.
- To clean this product, use a mild soap and water solution and a clean cloth. Rinse clean with water to remove soap residue.