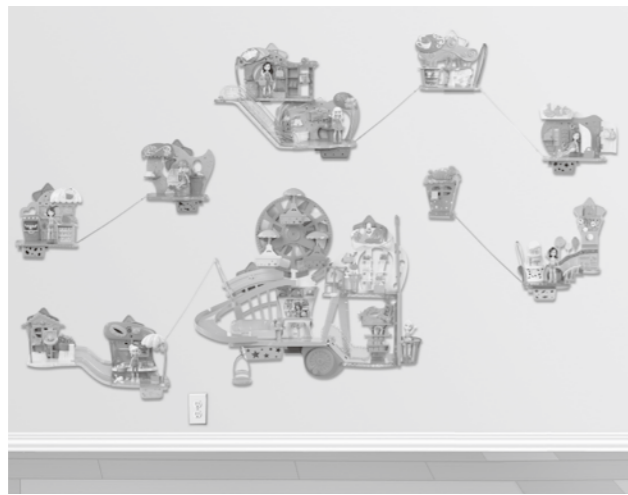


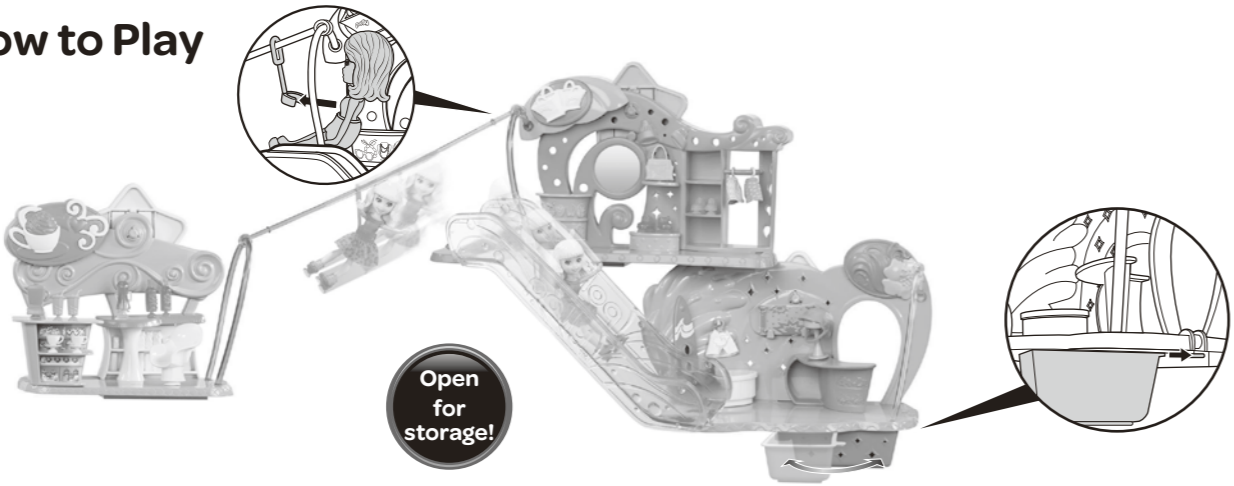
6 Connect with other Wall Party™ Playsets (sold separately)

- Follow steps 5.1 – 5.6 and apply Secondary Play Area steps to other playsets.
- Connect all playsets together to create your own Wall Party™.



Connects to
ALL
Wall Party™
playsets!

7 How to Play

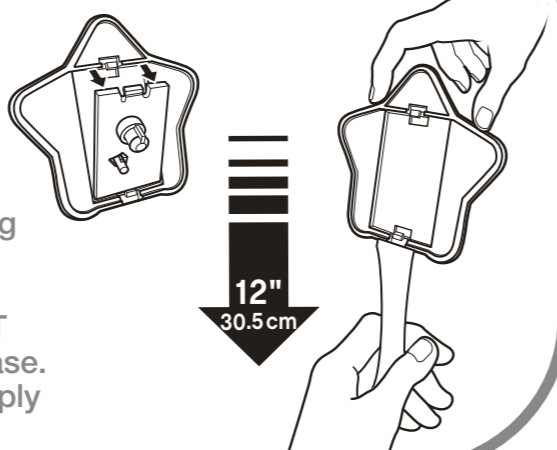


Open
for
storage!

NOTE: For best results, apply suction cups on smooth area and clean suction cups with water periodically.

8 Reattaching & Removal

- Mounting plates are designed to break away from the set without causing surface damage.
- To remove brackets from the wall entirely:
 - NEVER pull strip towards you.
 - Hold bracket gently to prevent it from snapping fingers. DO NOT press against wall.
 - Grab tab on Command® Strip and SLOWLY STRETCH STRAIGHT DOWN ALONG WALL AT LEAST 12 INCHES until bracket and strip release.
- Purchase medium Command® Refill Strips to reapply to your wall.



Command® Strips are a product of 3M. For further information visit command.com
NOTE: Apply strips to surfaces above 50°F (10°C). Adhesive could lose adhesion above 105°F (40°C).
CAUTION:
DO NOT use with wallpaper. May not adhere well to vinyl surfaces.
DO NOT hang items over beds.

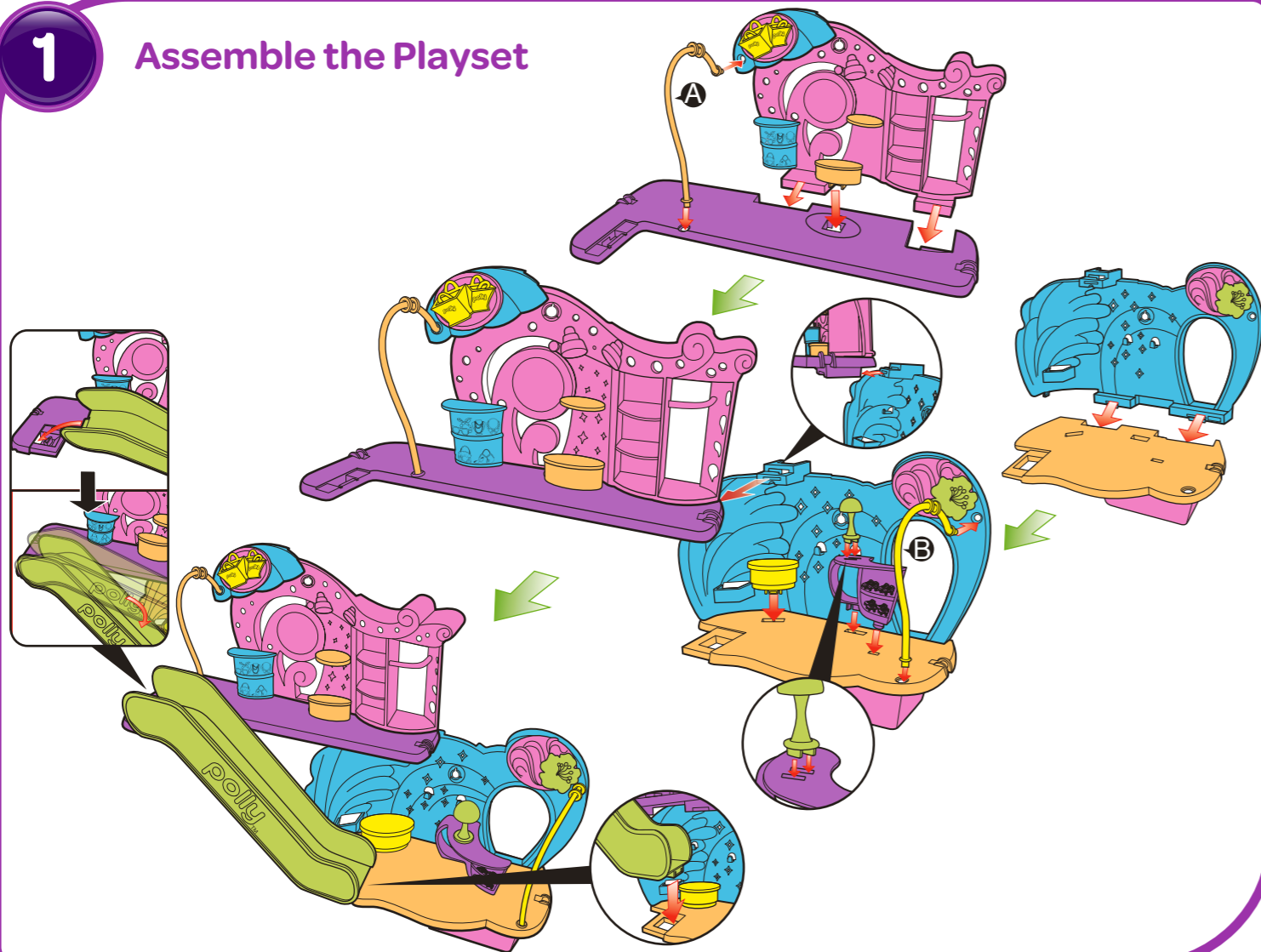
3M and Command are trademarks of 3M.
© 2013 Mattel and/or Origin Products Ltd. All Rights Reserved. Mattel, Inc., 636 Girard Avenue, East Aurora, NY 14052, U.S.A.
Consumer Relations 1-800-524-8697. Mattel U.K. Ltd., Vanwall Business Park, Maidenhead SL6 4UB. Helpline 01628 500303.
Mattel Australia Pty., Ltd., Richmond, Victoria, 3121. Consumer Advisory Service - 1300 135 312. Mattel East Asia Ltd., Room 503-09, North Tower, World Finance Centre, Harbour City, Tsimshatsui, HK, China. Dimpport & Diedarkan Oleh: Mattel SEA Ptd Ltd (896332-P) Lot 13.5, 13th Floor, Menara Lien Hoe, Persiaran Tropicana Golf Country Resort, 47410 P.J. Malaysia. Tel: 03-78803817, Fax: 03-78803867.
service.mattel.com



BCD79-0920G1

4 Rear

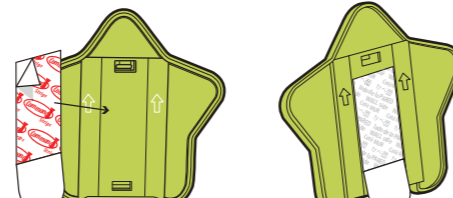
1 Assemble the Playset



2 Apply Command® Strips

Separate strips. Remove red-printed liner from Command® Strips and apply to back of brackets as shown. Make sure the strip tab is accessible for future removal.

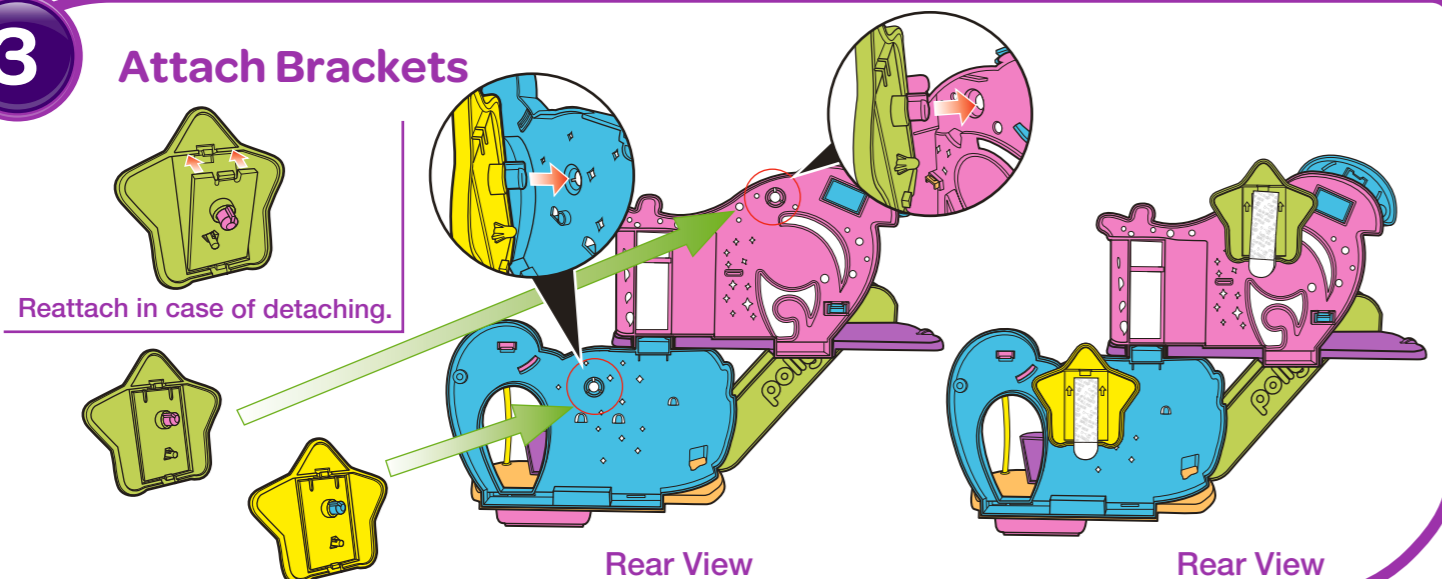
Red Printing = On Bracket



Black Printing = On Wall

NOTE: DO NOT PULL BRACKET OFF WALL without reading removal instructions.

3 Attach Brackets



Reattach in case of detaching.

Rear View

Rear View



Instructions

Watch a video of these instructions at
www.pollypocket.com/wallparty
NOTE: Video in English only.

WARNING:
CHOKING HAZARD - Small parts.
Not for children under 3 years.

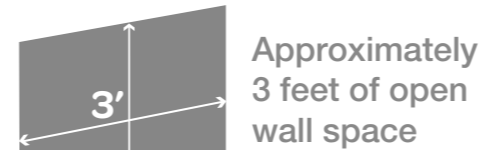
4+

Hangs with



Keep these instructions for future reference as they contain important information.
Please read all instructions before beginning assembly and set-up.

You will need:

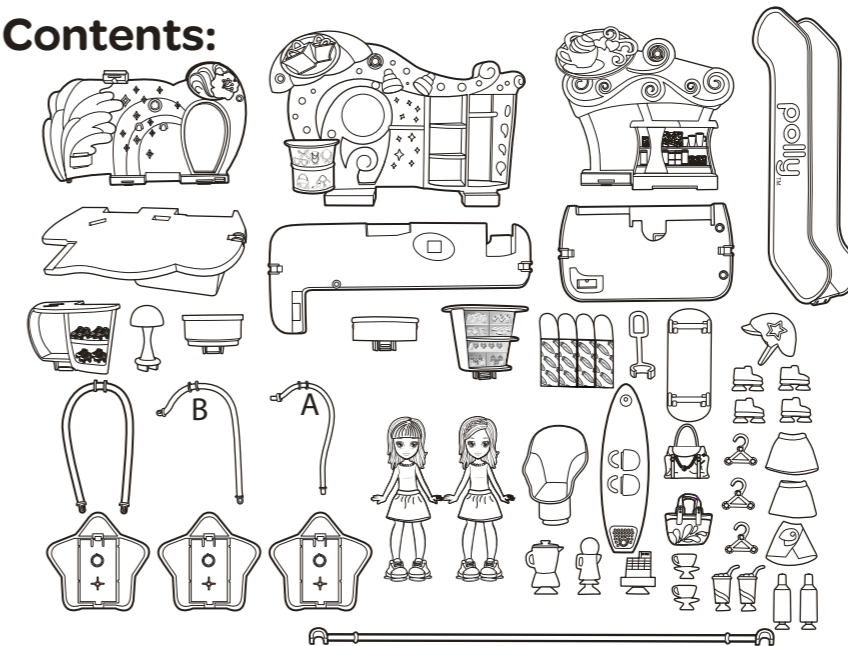


Approximately
3 feet of open
wall space



20 minutes

Contents:

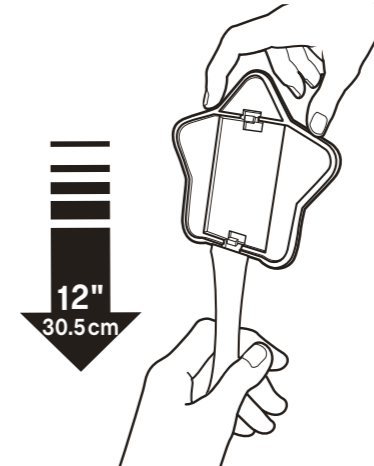


Before applying Command® Strips:

- CAUTION: NEVER use with wallpaper. May not adhere well to vinyl surfaces.
- CAUTION: NEVER hang items over beds.
- Make sure the wall surface is clean and dry. If cleaning is necessary, 3M recommends using isopropyl rubbing alcohol. DO NOT use household cleaners.
- Apply strips to surfaces above 50°F (10°C). Adhesive could lose adhesion above 105°F (40°C).

When removing brackets from wall:

- NEVER pull strip towards you.
- NEVER press bracket against wall.
- ALWAYS hold bracket gently in place to prevent it from hitting fingers.
- ALWAYS pull tab on Command® Strip SLOWLY AND STRAIGHT DOWN WALL. Stretch at least 12 inches (30.5 cm) until bracket and strip release.



Purchase medium Command® Refill Strips to reapply to your wall.

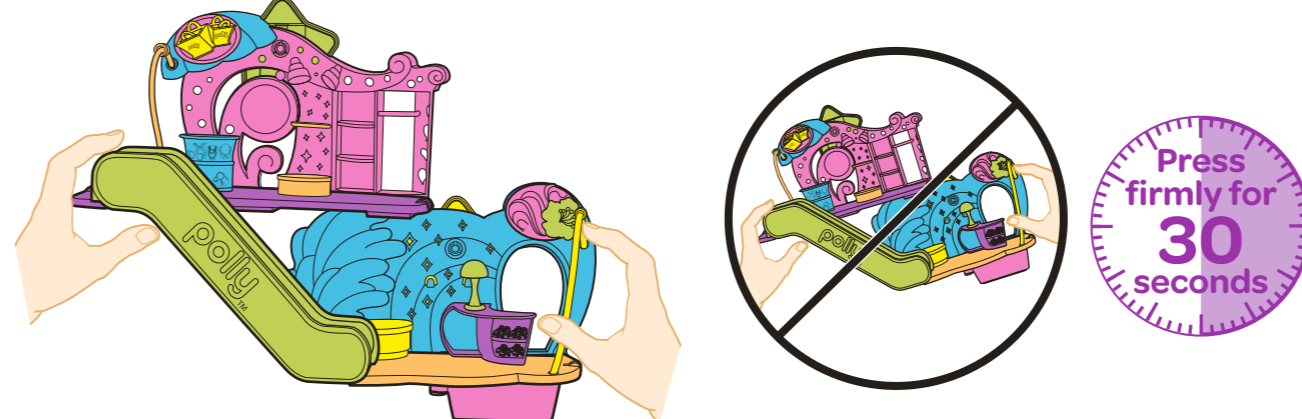
Just for reference, NOT for printing.

僅供參考，請勿用於印刷。

4 Hang Main Playset on Wall

- Remove black-printed liner from Command® Strip.
- Position playset level against the wall at a suitable height for your child.
- Press brackets firmly onto wall and hold for 30 seconds.

NOTE: For optimal adhesion performance, 3M recommends waiting 1 hour before playing.

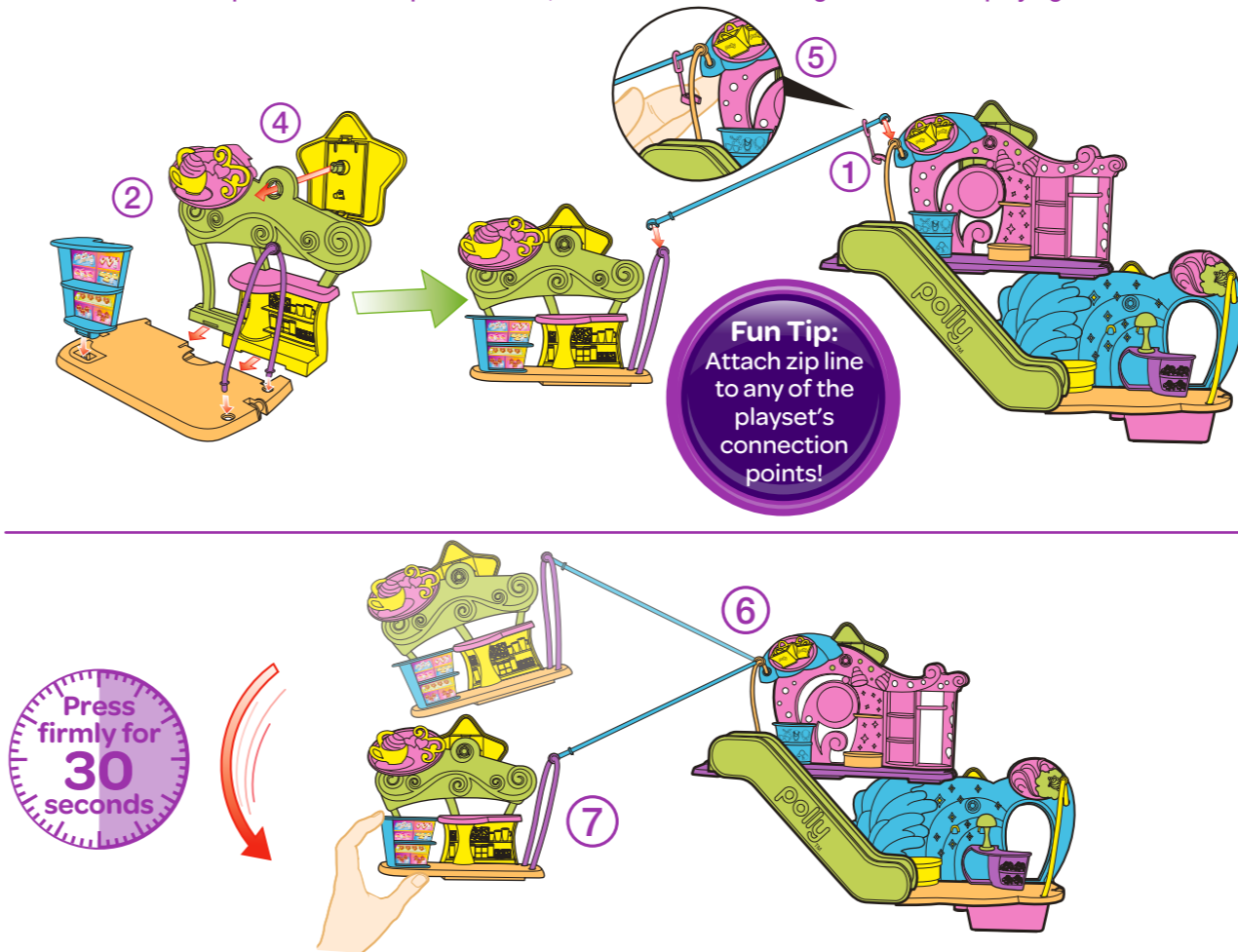


Press
firmly for
30
seconds

5 Connect Secondary Play Areas

- Attach zip line to playset on wall.
- Assemble play area.
- Apply Command® Strip to bracket and remove backing (see Steps 2 & 4.1).
- Attach bracket to play area.
- Attach zip line to play area.
- Position play area to desired location, level against the wall.
- Press play area firmly onto wall and hold for 30 seconds.

NOTE: For optimal adhesion performance, 3M recommends waiting 1 hour before playing.



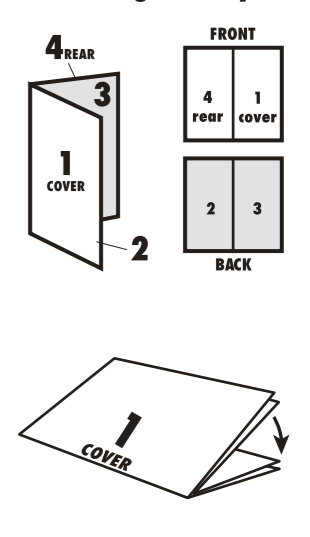
Fun Tip:
Attach zip line
to any of the
playset's
connection
points!

Press
firmly for
30
seconds

INSTRUCTION SHEET SPECIFICATIONS

Toy: PP WALL PARTY EXCLUSIVE
Toy No.: BCD79
Part No.: -0920G1
Lang. Code: DOM
Trim Size: 16.5" W x 11.7" H
Folded Size: 8.25" W x 5.85" H
Type of Fold: 2 panel
colors: 4
Colors: 1C+4C
Paper Stock: White Offset
Paper Weight: 157g art paper
EDM No.:

2 PANEL Folding Dummy



G-change reason: Engineering
G-change content: copy
G-change detail: Requested by ES PE to change the copy "... 2 feet of open wall space" to "... 3 feet of open wall space" on page 1 due to overlook at DSO stage.