

BOOM CO

WARNING: Do not aim at eyes or face. Only use projectiles supplied with this toy. Do not fire at point blank range. Always wear appropriate eye-wear, sold separately.



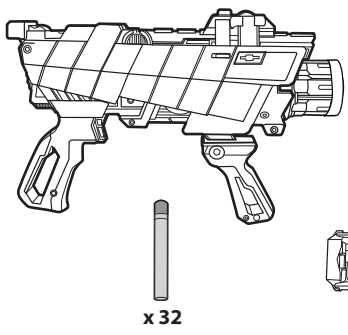
INSTRUCTIONS!
BOOM-CO.COM

EXTREME BATTLE PACK™

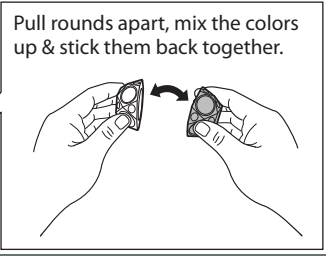
6+

Please keep these instructions for future reference as they contain important information.

1 CONTENTS

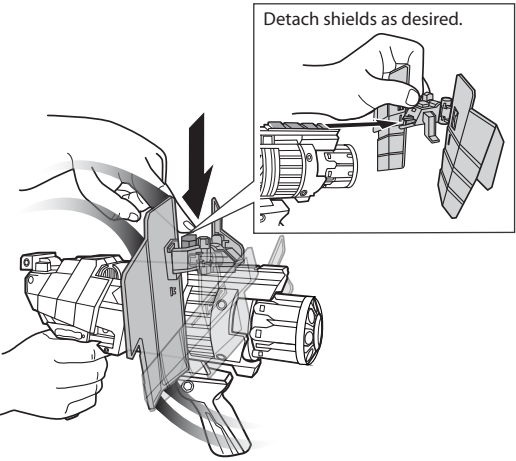


CAUTION: Do not aim at eyes or face.
TO AVOID INJURY: Use only darts designed for this product. Do not modify rounds, darts or dart blaster.

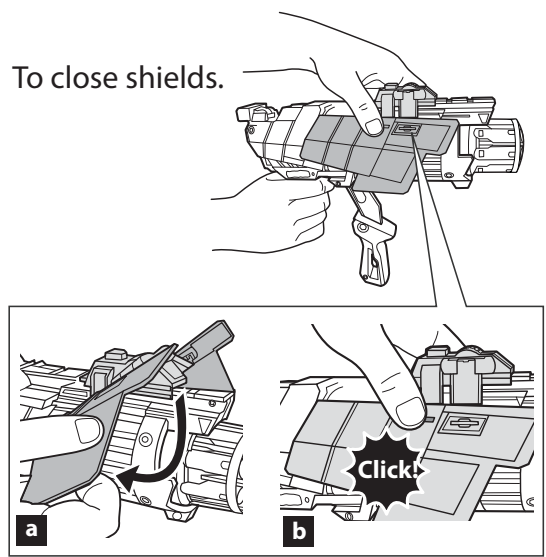


2 SHIELDS

A. Activate shields.

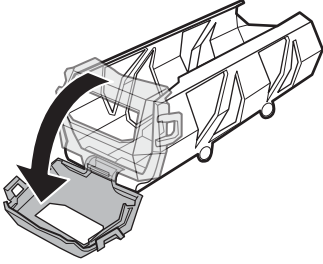


B. To close shields.

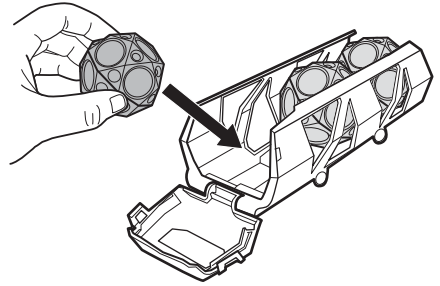


3 ATTACHING MAGAZINE TO BLASTER

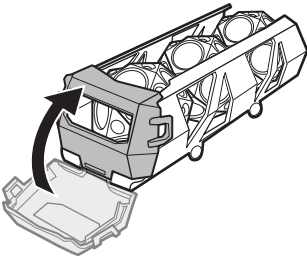
A. Open magazine cover.



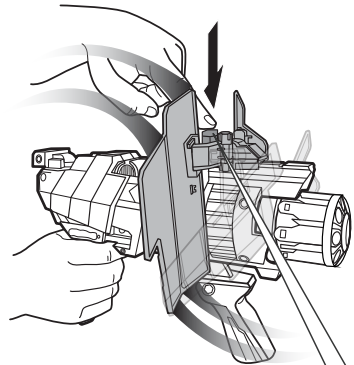
B. Load rounds.



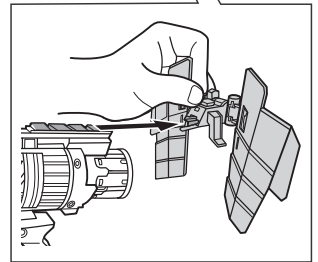
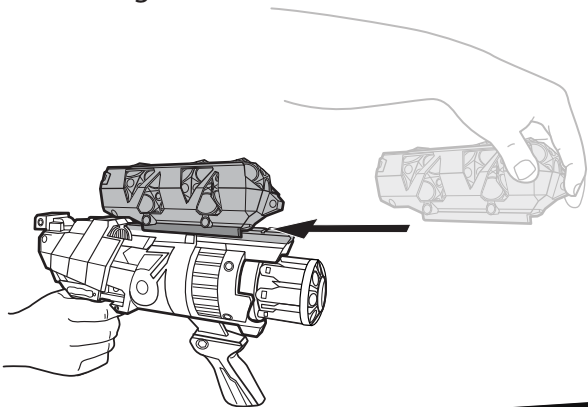
C. Close magazine cover.



D. Activate and detach shields.

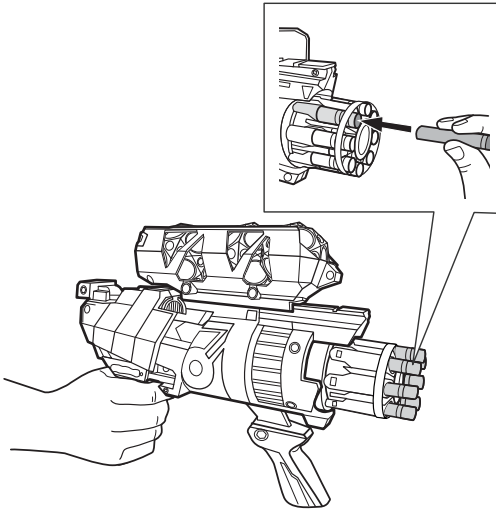


E. Attach magazine to blaster rail.

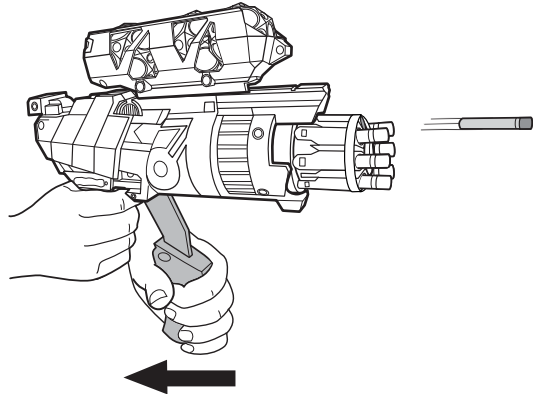


4 TO FIRE

A. Load all darts into spin barrel.

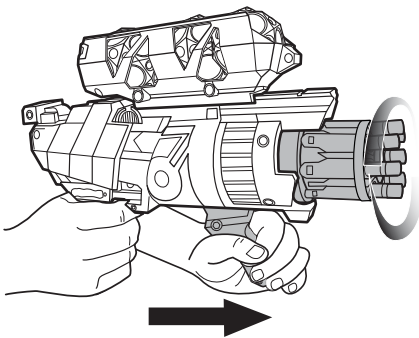


B. Pull handle all the way back to fire.

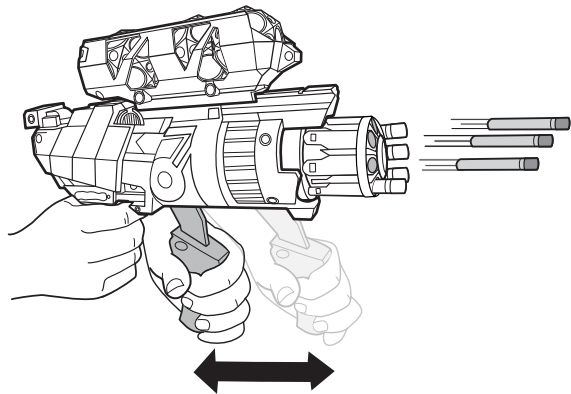


NOTE: Unload all darts from spin barrel when not in use.

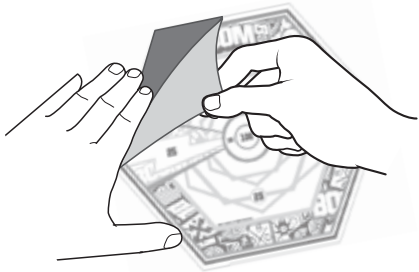
C. Push handle all the way forward to rotate to next dart.



D. Pull and push handle all the way forward and all the way back repeatedly for rapid fire.



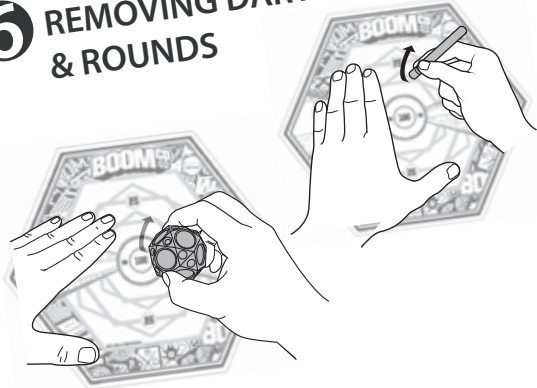
5 ATTACHING TARGETS



Peel backing off target before sticking it to surface.

- ✗ Do not stick target to walls or furniture as it may cause damage to the surface.

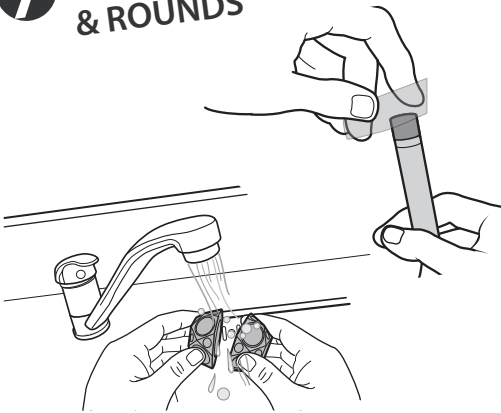
6 REMOVING DARTS & ROUNDS



IMPORTANT:

Always remove darts and rounds from target after play. Keep one hand pressed on target, gently peel round off or hold dart by the tip and peel off.

7 CLEANING DARTS & ROUNDS



Dust, dirt, and other debris can cause darts and rounds to lose their adhesiveness. To clean them, rinse darts' tips and rounds with tap water or use tape to remove excess debris.

NOTE: Dry darts and rounds before using again.

8 REPLACING TARGETS & SHIELDS



Y8620/BBY17

Replace time-worn targets and shields with **Y8620/BBY17 SMART STICK REFILLS**. Each sold separately, subject to availability.