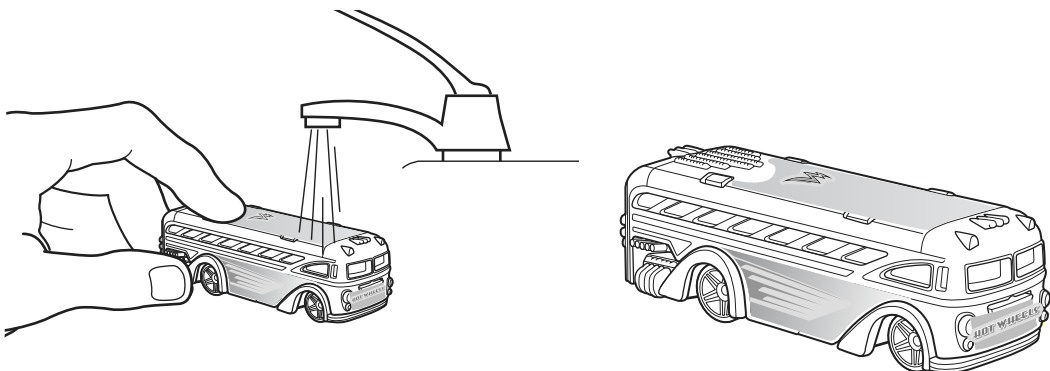


CLEAN OFF TO REDESIGN

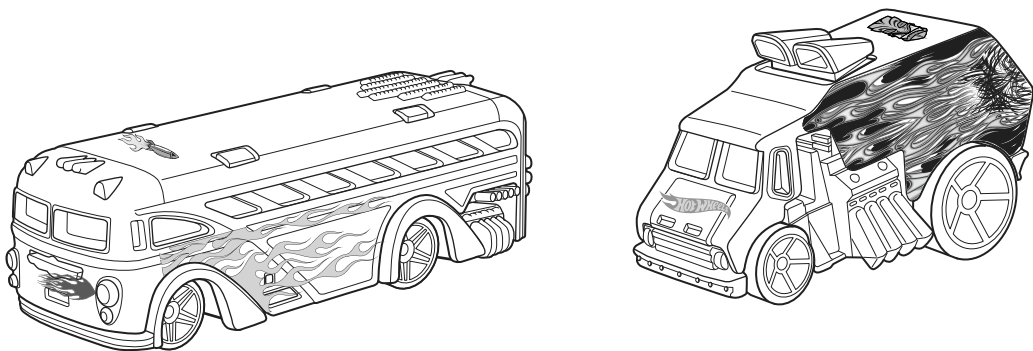
1. To remove your design, rinse vehicle under running water.
2. Let dry until design disappears and start again!



Drain, clean and dry all items thoroughly before storing.

TO PLAY 2 - FOIL DECAL SHEET

Decorate your vehicles with foil decals for a shiny look!

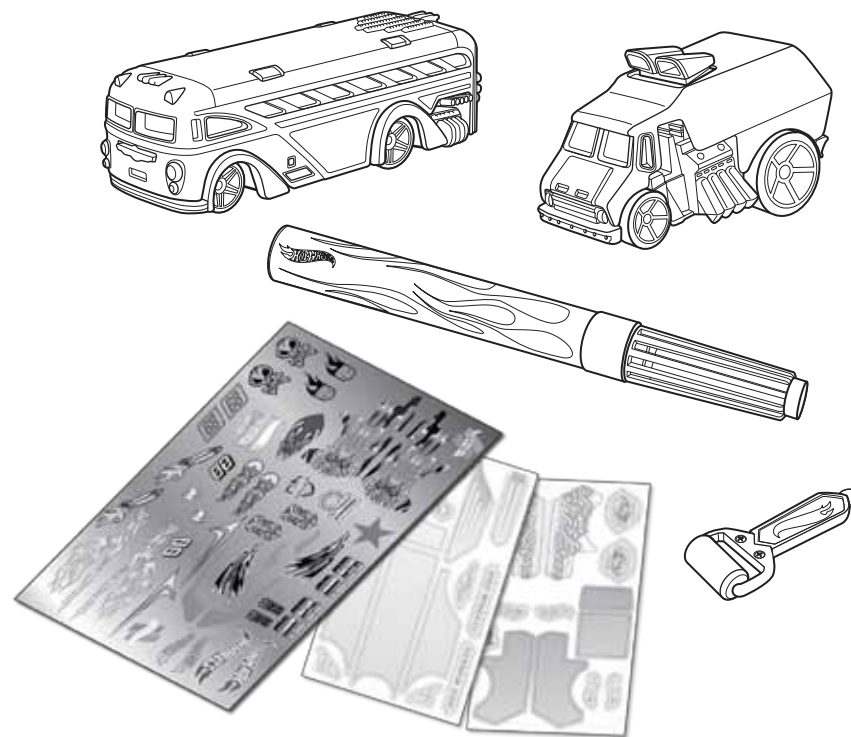


NOTE: Foil decals do not work with Color Revealing Pen.

INSTRUCTIONS



WORKSHOP COLOR REVEAL DESIGN KIT #1



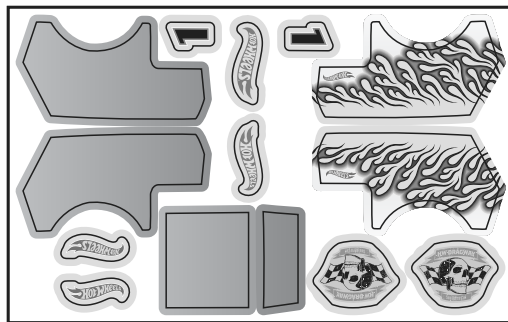
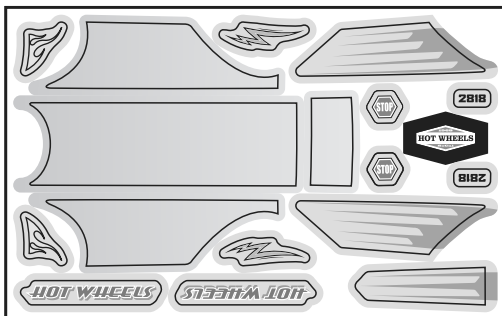
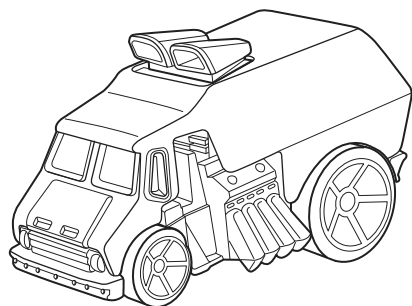
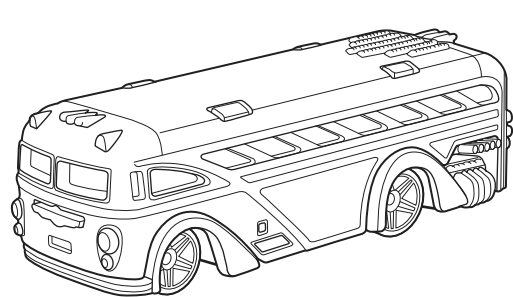
ASST.BFM86
BFM87-0920

6+

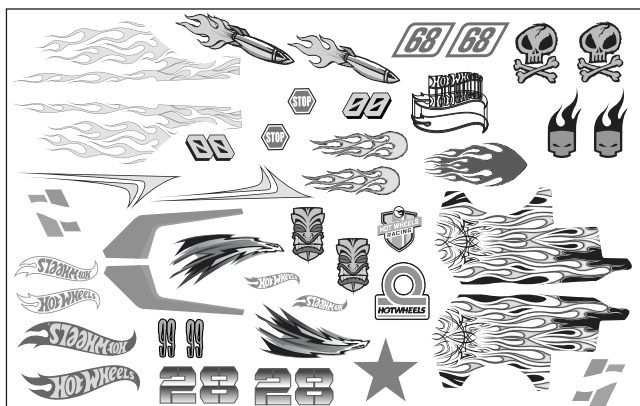
service.mattel.com
HOTWHEELS.COM

PEN CONFORMS TO ASTM D4236.
THIS PRODUCT MAY STAIN OR STICK TO SOME SURFACES.
PROTECT PLAY AREA BEFORE USE.

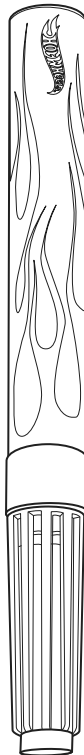
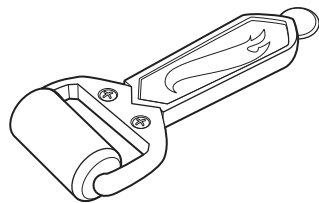
PLEASE KEEP THESE INSTRUCTIONS FOR FUTURE
REFERENCE AS THEY CONTAIN IMPORTANT INFORMATION.



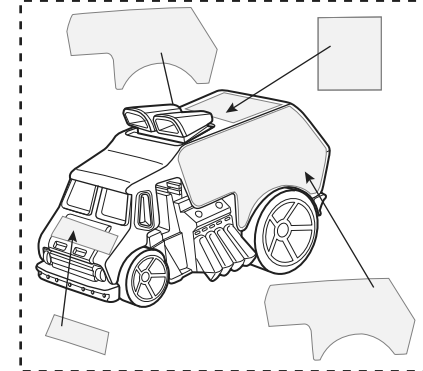
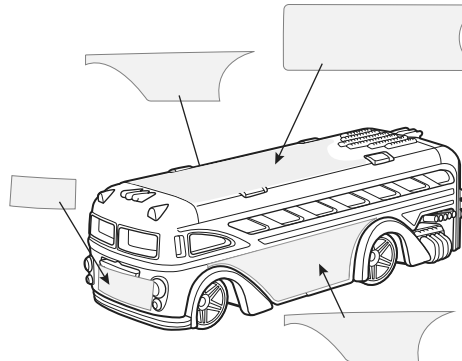
COLOR REVEAL DECAL SHEET x 2



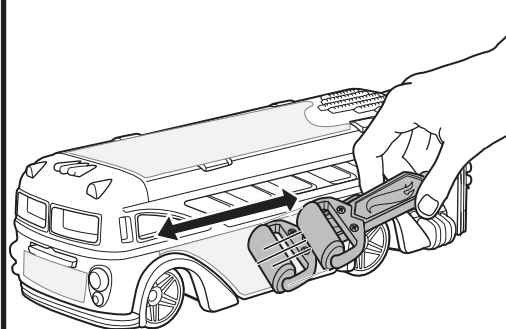
FOIL DECAL SHEET x 1



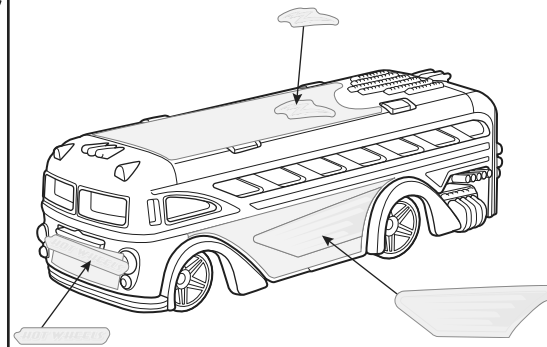
1. Peel off and apply color reveal panels onto each vehicle.



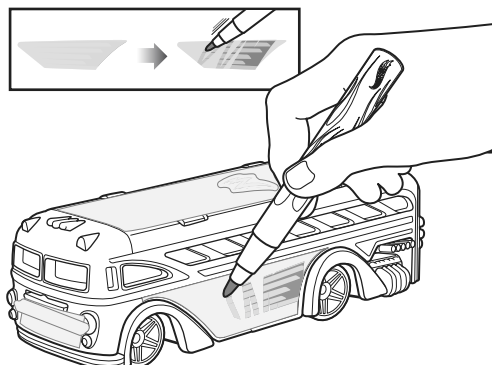
2. Flatten the panels with the smoothing tool.



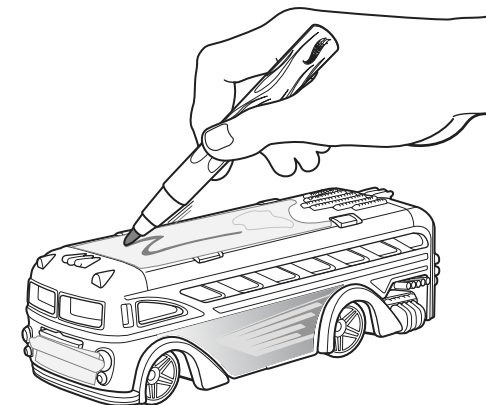
3. Add color reveal decals onto the panels to create your design.



4. Apply color revealing pen to decals to uncover awesome graphics.



5. Reveal whatever portion you want of the decals or panels to customize your design!



Only use pens that come with the toy. Recap pens after use.
NOT FOR USE WITH SOME HOT WHEELS® VEHICLES.