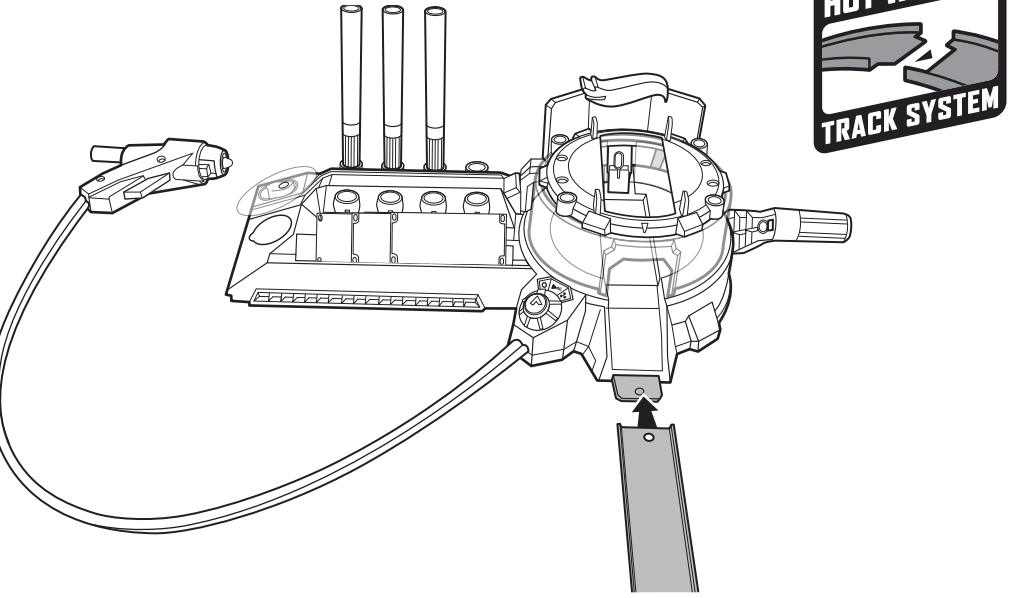


MORE WAYS TO PLAY

Connect to other Hot Wheels® sets (sold separately).



PERFORMANCE TIPS

- A. Take time to adjust the nozzle until the sprayed ink is fine and even. If ink is blotchy, it will smear and spoil your design.**
- B. While spraying, point nozzle straight down so it is perpendicular to the vehicle. Apply a thin coat of ink with smooth, back and forth strokes.**
- C. For a deeper color, airbrush additional thin coats of ink onto the vehicle after drying.**
- D. Keep nozzle clean by wiping down occasionally during use or when there is ink build-up.**
- E. Always keep pens stored cap side down in holder.**

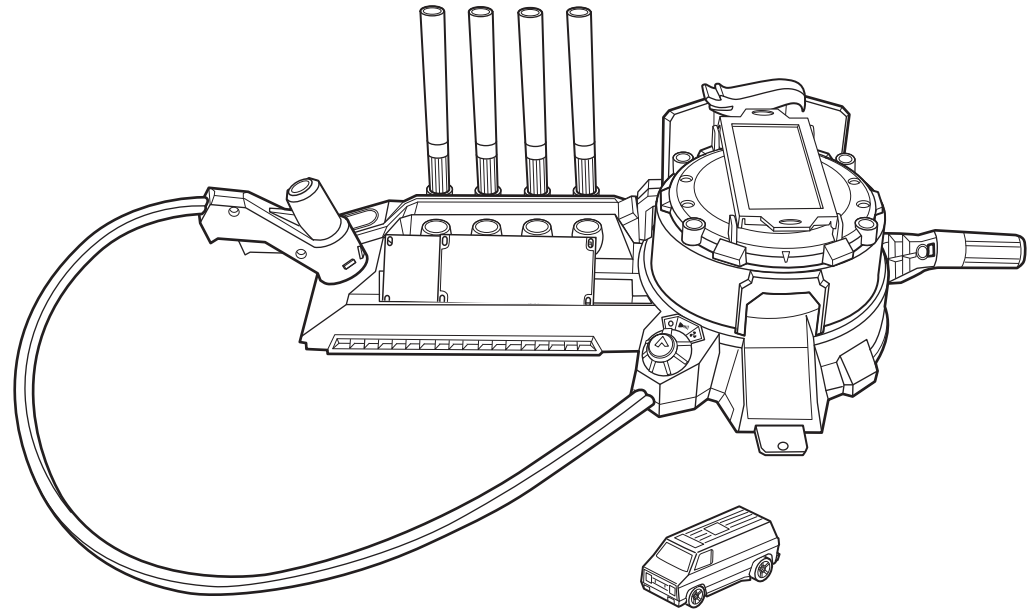
©2014 Mattel. All Rights Reserved. Mattel, Inc., 636 Girard Avenue, East Aurora, NY 14052, U.S.A. Consumer Relations 1-800-524-8697. Mattel U.K. Ltd., Vanwall Business Park, Maidenhead SL6 4UB. Helpline 01628 500303. Mattel Australia Pty., Ltd., Richmond, Victoria. 3121. Consumer Advisory Service - 1300 135 312. Mattel East Asia Ltd., Room 503-09, North Tower, World Finance Centre, Harbour City, Tsimshatsui, HK, China. Diimport & Diedarkan Oleh: Mattel SEA Ptd Ltd.(993532-P) Lot 13.5, 13th Floor, Menara Lien Hoe, Persiaran Tropicana Golf Country Resort, 47410 PJ. Malaysia. Tel:03-78803817, Fax:03-78803867.

INSTRUCTIONS



WORKSHOP

AIRBRUSH AUTO DESIGNER



5+

service.mattel.com
HOTWHEELS.COM

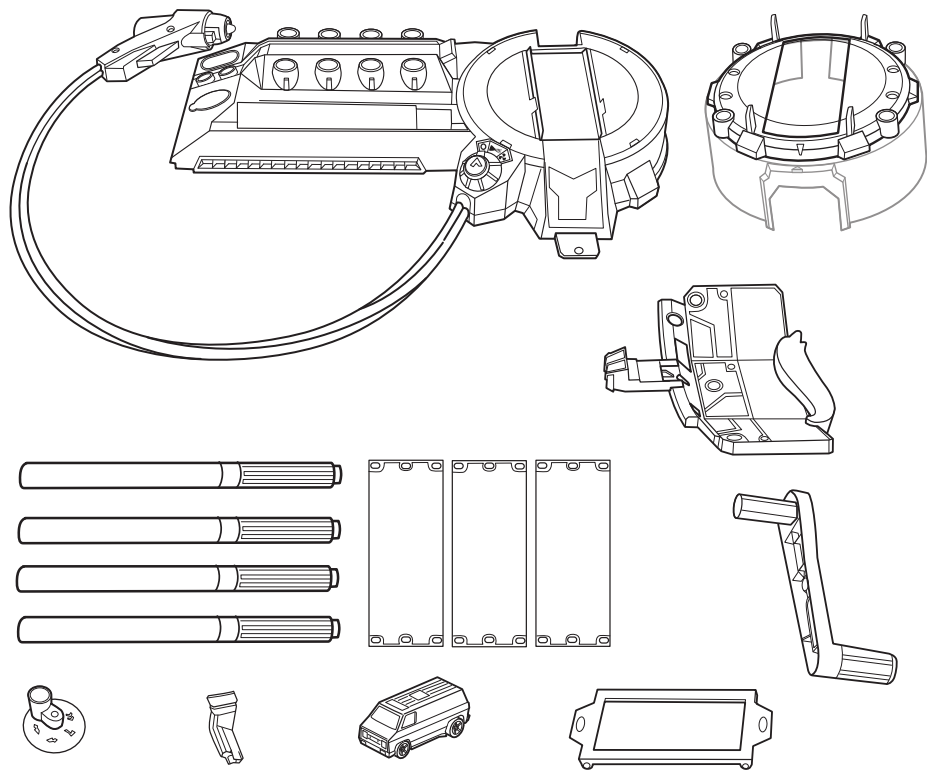


BFM93-092061

PLEASE KEEP THESE INSTRUCTIONS FOR FUTURE REFERENCE AS THEY CONTAIN IMPORTANT INFORMATION.

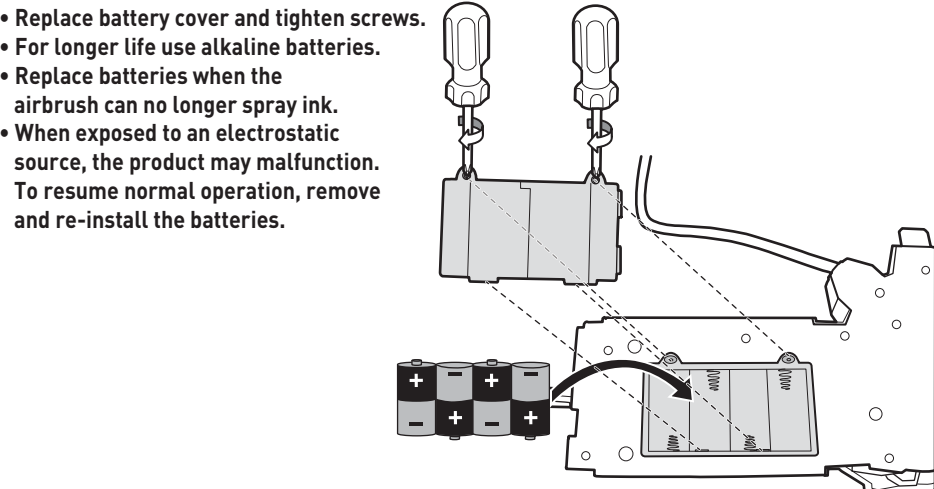
PROTECT PLAY SURFACES BEFORE USE.
 PENS CONFORM TO ASTM D4236.

CONTENTS

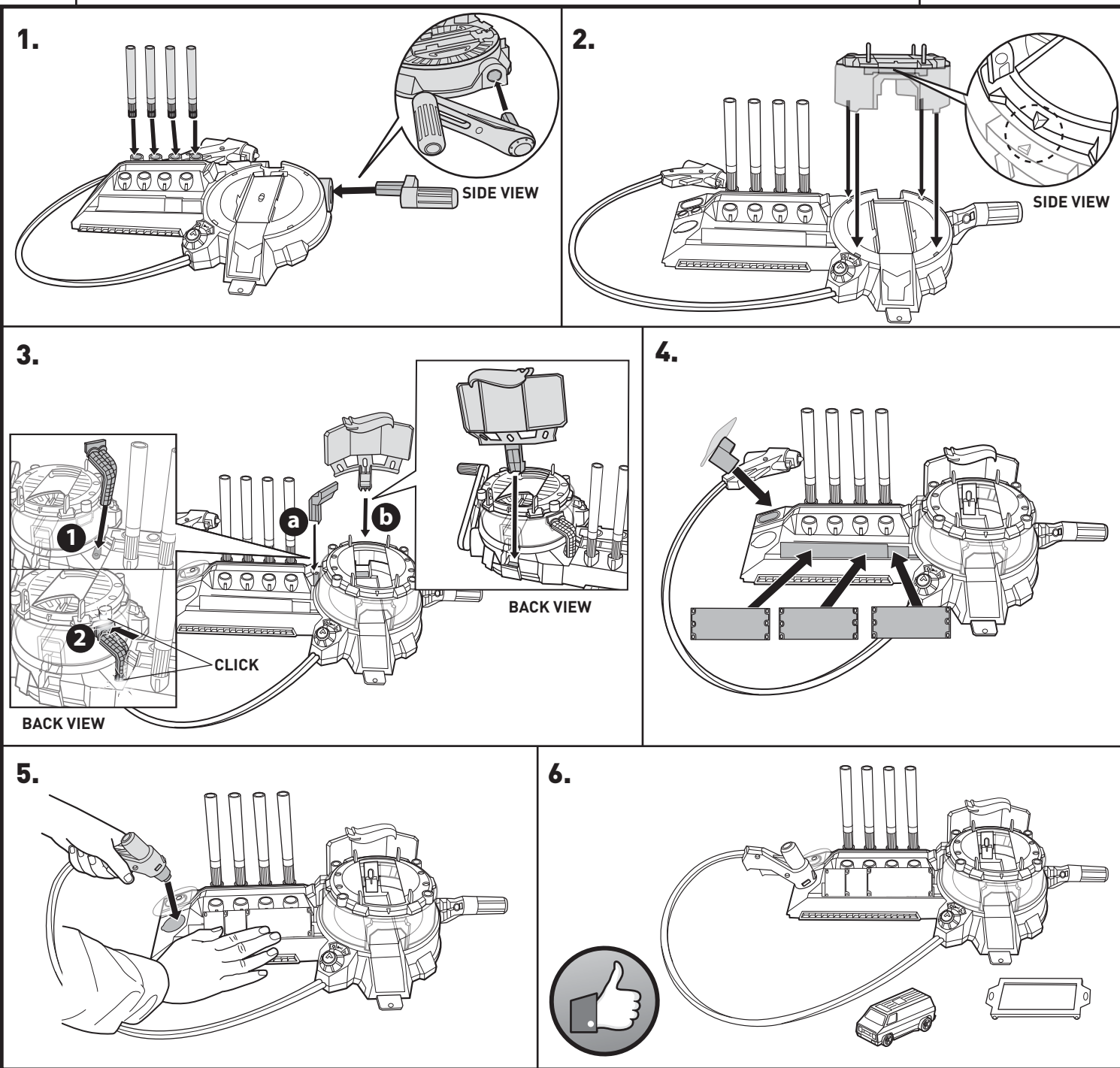


BATTERY INSTALLATION

- Unscrew the battery cover with a Phillips head screwdriver (not included).
- Install 4 new "C" size (LR14) alkaline batteries (not included) in the orientation (+/-) shown.
- Replace battery cover and tighten screws.

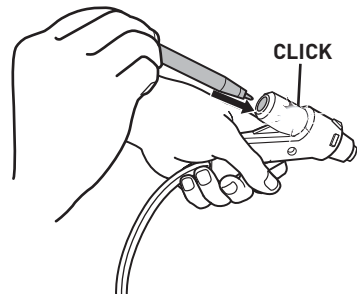


ASSEMBLY

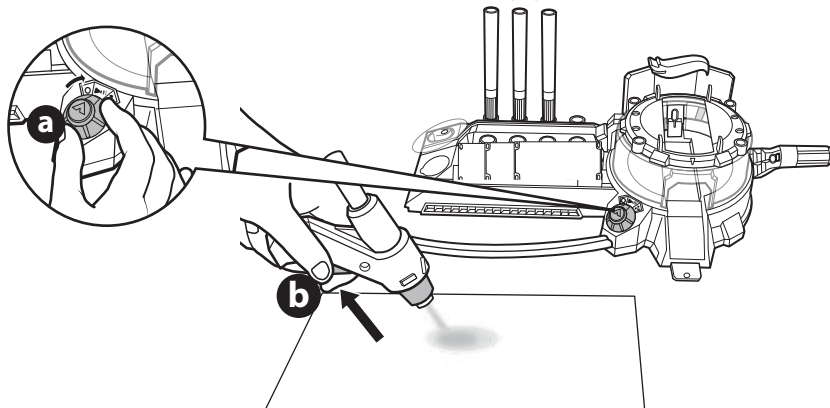


SET UP

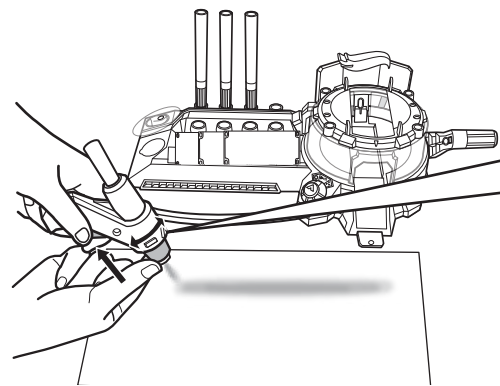
1. Remove cap and insert pen into airbrush until it clicks in.



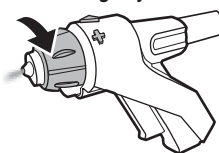
2. **a** Rotate switch to select airbrush (▶).
b Place a piece of paper (not included) under airbrush. Pull trigger and spray ink between half an inch and 1.5 inches from paper.



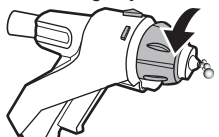
3. Adjust nozzle until sprayed ink is fine and even.



If little or no ink comes out, turn dial slightly toward +.



If ink foams at the tip, turn dial slightly toward -.

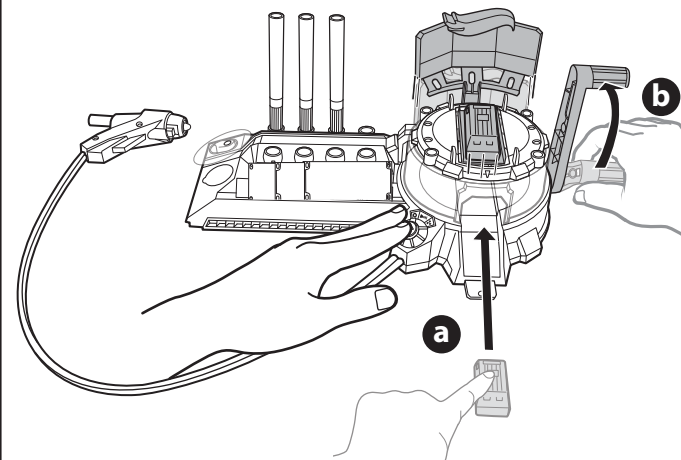


NOTE: You must re-adjust the nozzle every time a new ink pen is loaded.

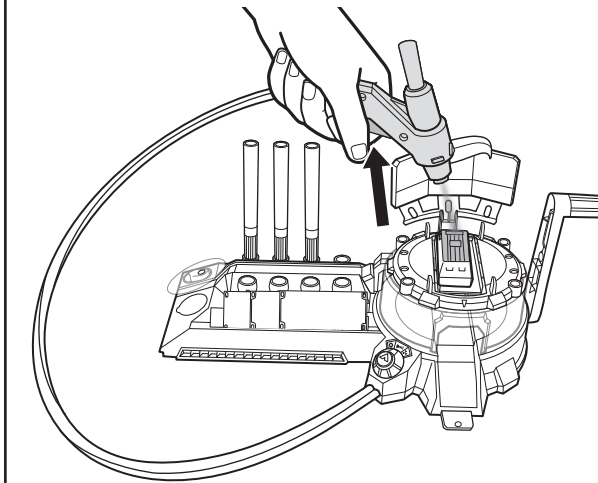
TO PREVENT INK FROM DRYING, RECAP PENS AFTER USE AND REPLACE IN HOLDER. PENS MAY STAIN FABRICS AND OTHER SURFACES. AVOID CONTACT WITH CARPET, CLOTHING, WALLS AND FURNITURE.

TO PLAY 1 - FREE HAND

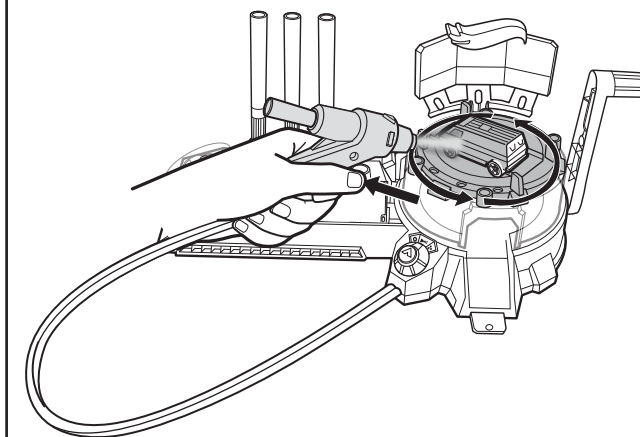
1. **a** Load vehicle inside chamber and center on the platform.
b Lift handle to raise vehicle.



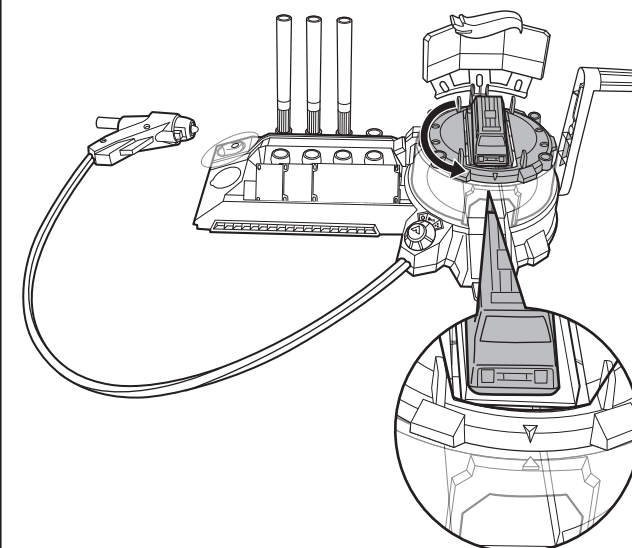
2. Hold airbrush between half an inch and 1.5 inches away, then pull trigger to spray.



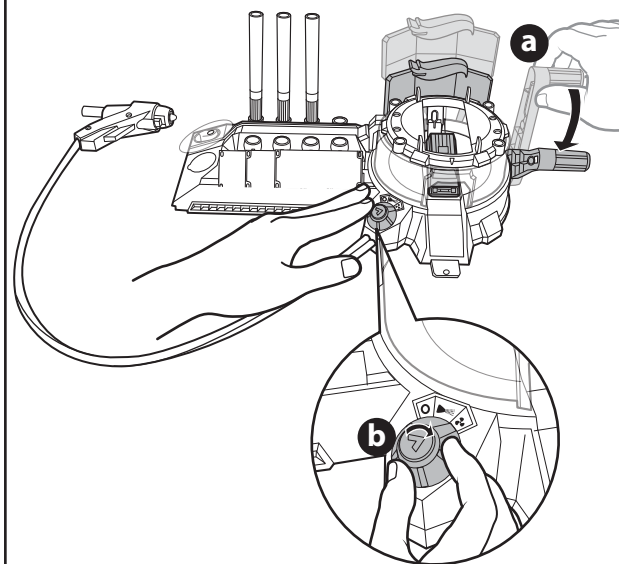
3. Rotate platform to spray other sides.



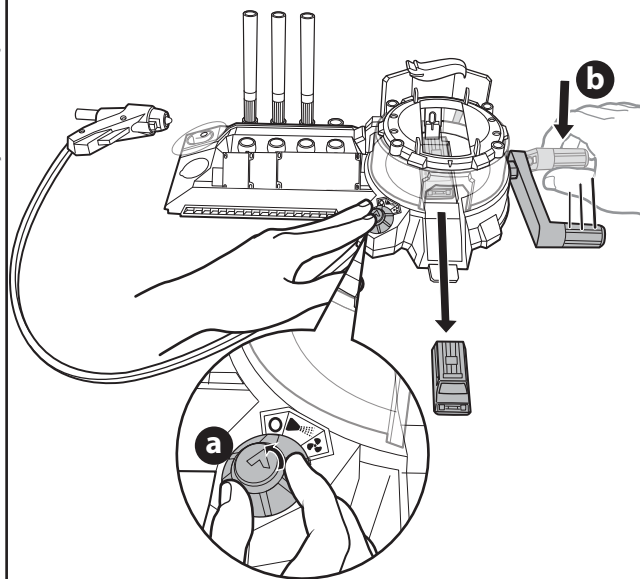
4. When finished spraying, rotate the platform so the vehicle faces you.



5. **a** Press handle down halfway to lower the platform.
b Rotate switch to fan (🌀) and dry for at least 30 seconds.



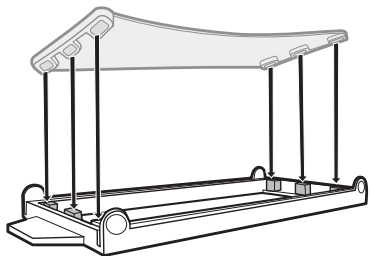
6. **a** Rotate switch to OFF (O).
b Press handle down all the way to release vehicle.



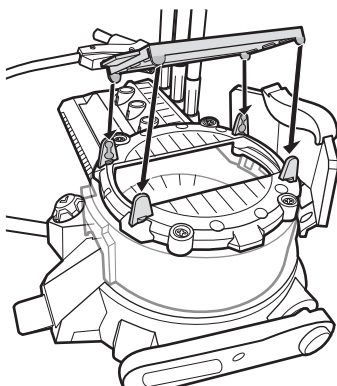
NOT FOR USE WITH SOME HOT WHEELS® VEHICLES.

TO PLAY 2 - SPRAY PATTERN

- 1.** Attach spray pattern to frame as shown.

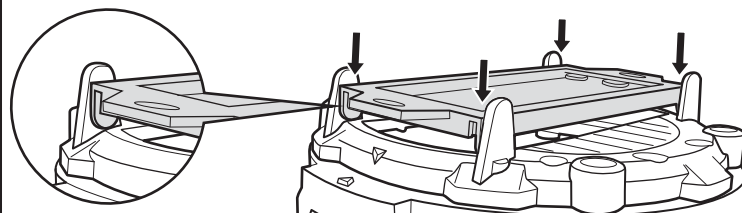


- 2.** Attach to platform with tabs facing down.

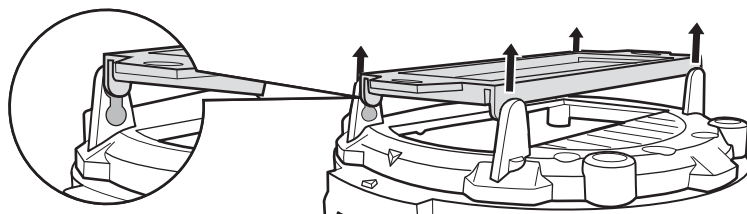


3.

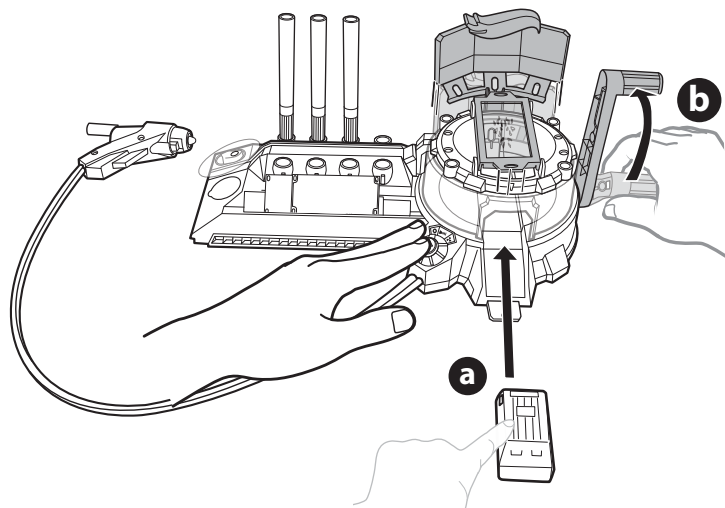
Press frame down to bottom position for shorter vehicles.



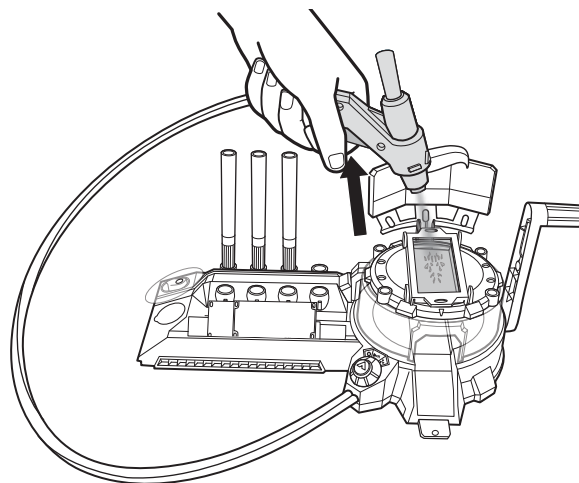
Lift frame up to top position for taller vehicles.



- 4.** **a** Load vehicle inside and center on the platform.
b Lift handle to raise vehicle into the spray pattern.



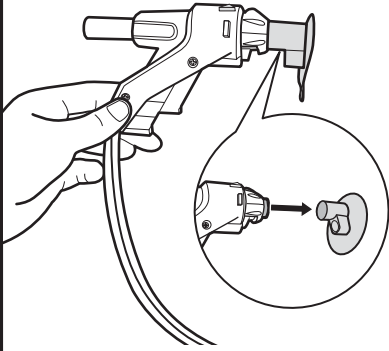
- 5.** Hold airbrush between half an inch and 1.5 inches away and pull trigger to spray pattern onto vehicle.



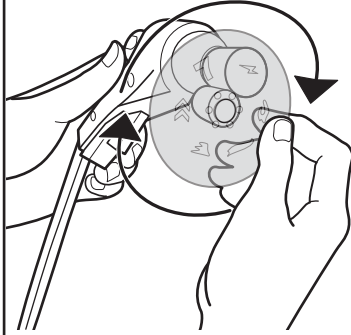
- 6.** Repeat steps 4-6 under TO PLAY 1 to dry vehicle.

TO PLAY 3 - STENCIL TOOL

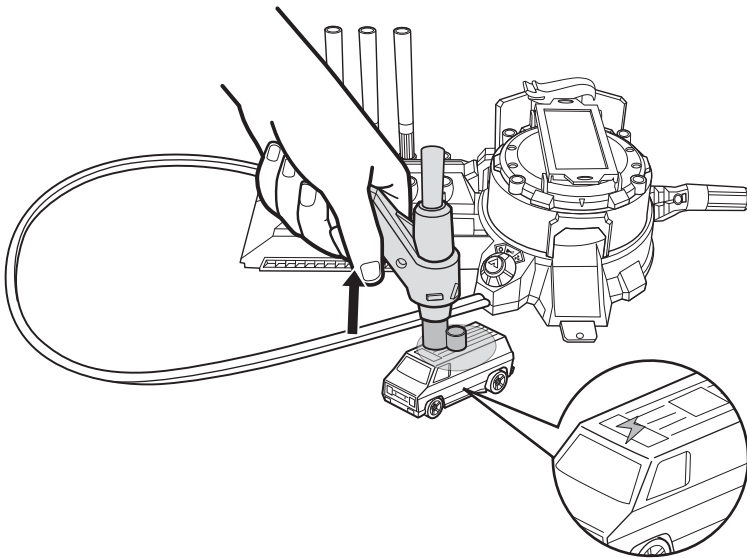
1. Attach stencil tool to airbrush.



2. Select a graphic and align with the nozzle.



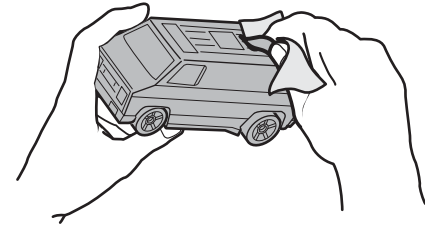
3. Press stencil tool flush against the vehicle. Pull and hold trigger for around 10 seconds to spray graphic onto vehicle.



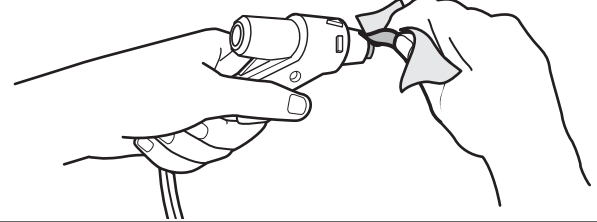
4. Repeat steps 4-6 under TO PLAY 1 to dry vehicle.

CLEAN UP

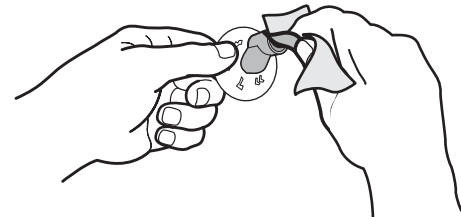
1. To create a new design, use a damp cloth (not included) to wipe off the ink until vehicle is clean.



2. Wipe the nozzle clean with a damp cloth.



3. To clean the inside of the stencil tool, use a damp cloth or cotton swab (not included).



4. Wipe platform, spray patterns and stencil tool clean with a damp cloth.

