

**Fisher-Price®**

**BFV00**



Please keep this instruction sheet for future reference,  
as it contains important information.  
Adult assembly is required. No tools required.

**[fisher-price.com](http://fisher-price.com)**

# Consumer Information

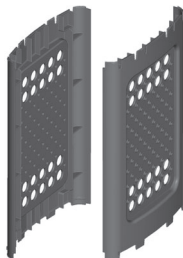
# Assembled Parts



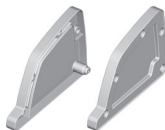
Grill Top



Shelf



2 Side Panels



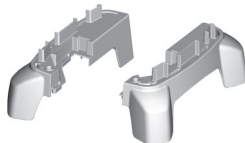
2 Lid Sides



2 Doors



Cross Brace



2 Bases



Lid



Knob



## CONSUMER ASSISTANCE

1-800-432-5437 (US & Canada)  
1300 135 312 (Australia)

[service.fisher-price.com](http://service.fisher-price.com)

Fisher-Price, Inc., 636 Girard Avenue, East Aurora, NY 14052.  
Hearing-impaired consumers: 1-800-382-7470.

### Outside the United States:

Canada: Mattel Canada Inc., 6155 Freemont Blvd.,  
Mississauga, Ontario L5R 3W2; [www.service.mattel.com](http://www.service.mattel.com).

Great Britain: Mattel UK Ltd, Vanwall Business Park,  
Maidenhead SL6 4UB. Helpline: 01628 500303.  
[www.service.mattel.com/uk](http://www.service.mattel.com/uk)

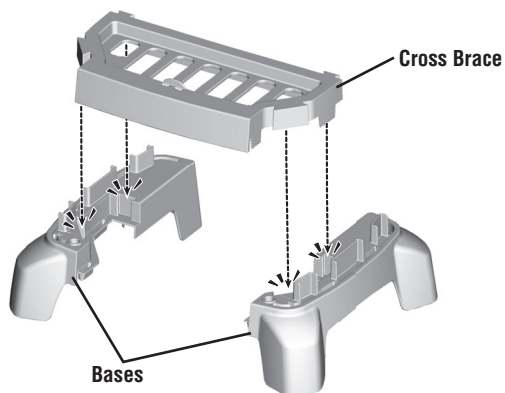
Mattel Europa B.V., Gondel 1, 1186 MJ Amstelveen, Nederland.

Australia: Mattel Australia Pty. Ltd., 658 Church Street,  
Locked Bag #870, Richmond, Victoria 3121 Australia.

New Zealand: 16-18 William Pickering Drive,  
Albany 1331, Auckland.

# Assembly

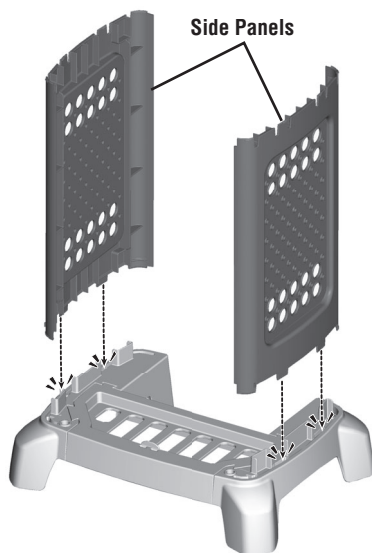
1



- “Snap” the cross brace to the bases.

*Hint: The cross brace is designed to fit on the bases one way. If it does not seem to fit, turn it around and try again.*

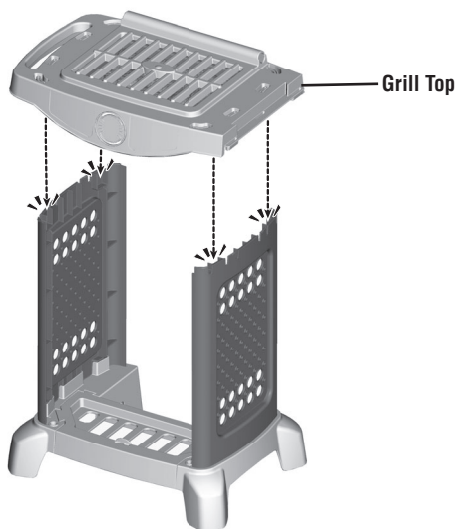
2



- “Snap” the side panels into the base assembly.

*Hint: Each side panel is designed to fit into the base assembly one way. If a side panel does not seem to fit, turn the side panel around or try the other side of the base assembly.*

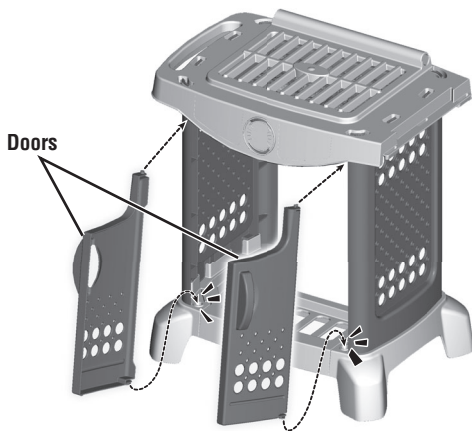
## Assembly



3

- “Snap” the grill top to the side panels.

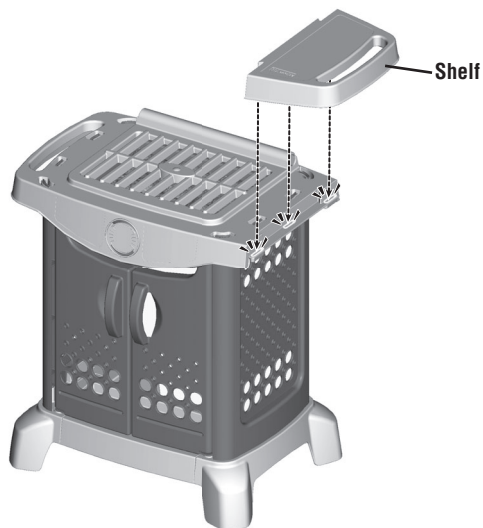
*Hint: The grill top is designed to fit one way. If it does not seem to fit, turn it around and try again.*



4

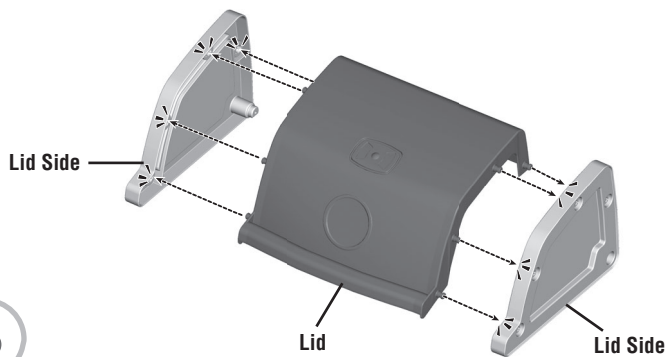
- At an angle, fit the peg on the top of each door into the opening underneath the grill top.
- Then, push the bottom of each door to “snap” in place.

# Assembly



5

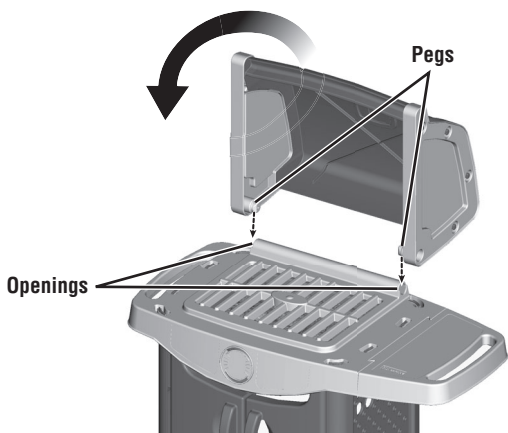
- “Snap” the shelf onto the side of the grill top.



6

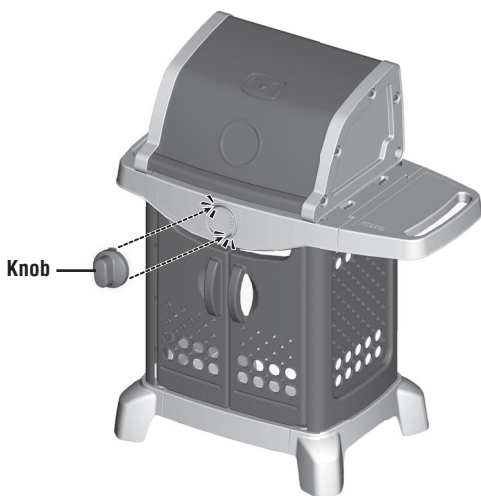
- “Snap” the lid sides to the lid.

## Assembly



7

- Fit the lid pegs into the openings in the grill top. Lower the lid.



8

- “Snap” the knob onto the front of the grill.