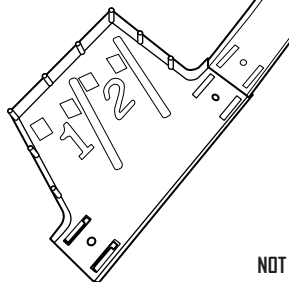
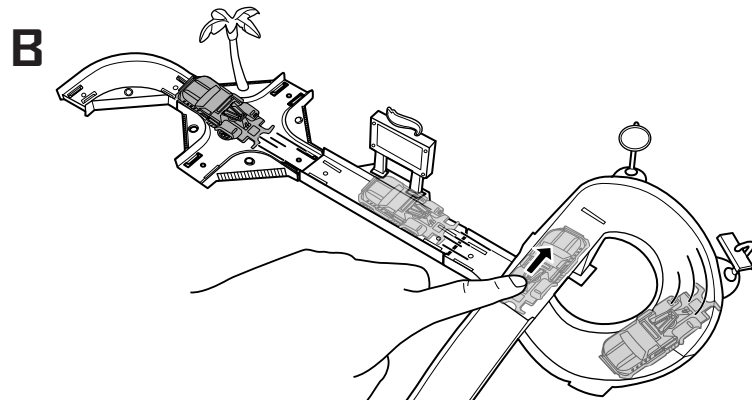
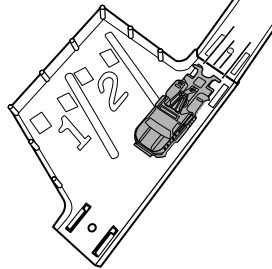
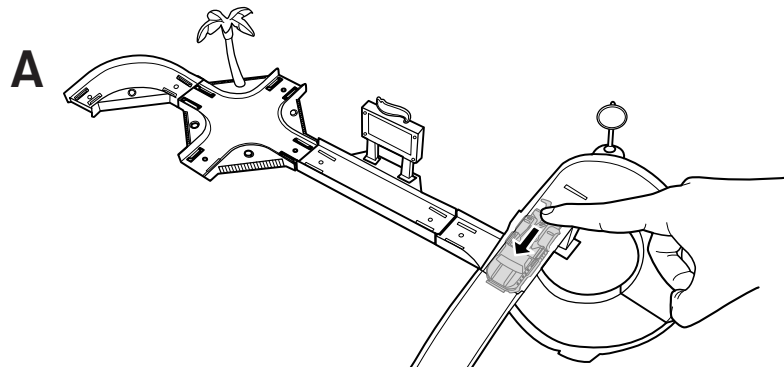


4 TO PLAY



NOT FOR USE WITH SOME HOT WHEELS® VEHICLES.

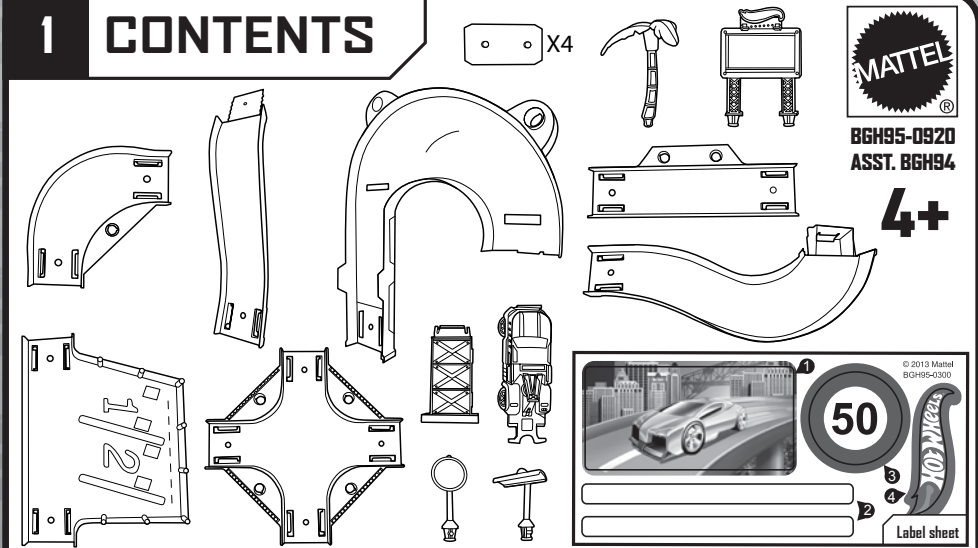


SPEED JUNCTION™

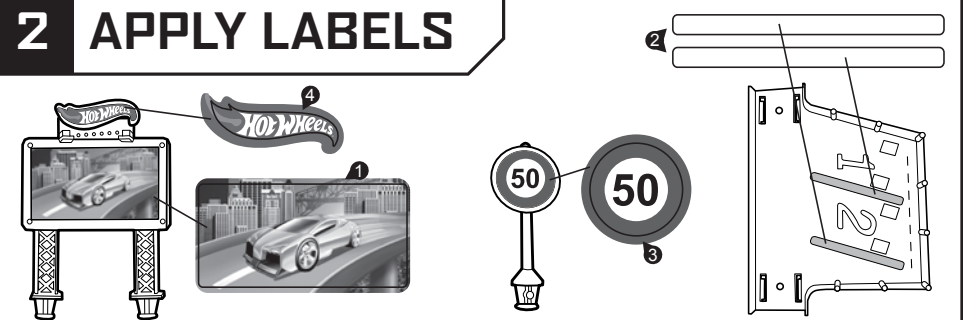
INSTRUCTIONS

Please keep these instructions for future reference as they contain important information.

1 CONTENTS

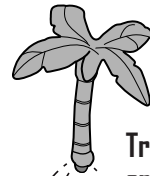


2 APPLY LABELS

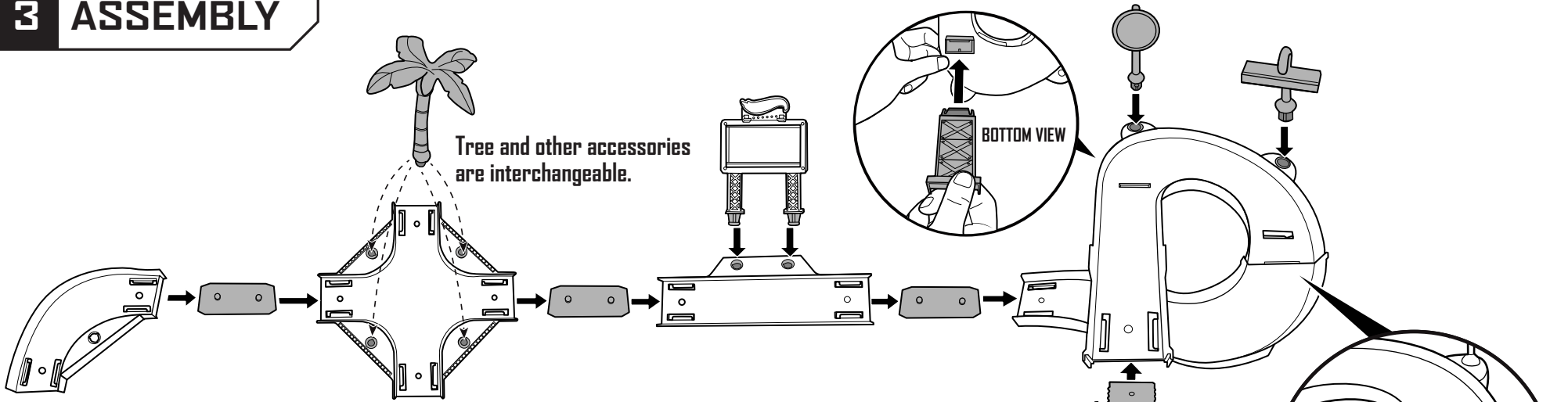


©2013 Mattel. All Rights Reserved. Mattel, Inc., 636 Girard Avenue, East Aurora, NY 14052, U.S.A. Consumer Relations 1-800-524-8697. Mattel U.K. Ltd., Vanwall Business Park, Maidenhead SL6 4UB. Helpline 01628 500303. Mattel Australia Pty., Ltd., Richmond, Victoria. 3121. Consumer Advisory Service - 1300 135 312. Mattel East Asia Ltd., Room 503-09, North Tower, World Finance Centre, Harbour City, Tsimshat-sui, HK, China. Diimport & Diedarkan Oleh: Mattel SEA Ptd Ltd. (993532-P) Lot 13.5, 13th Floor, Menara Lien Hoe, Persiaran Tropicana Golf Country Resort, 47410 PJ, Malaysia. Tel:03-78803817, Fax:03-78803867. service.mattel.com

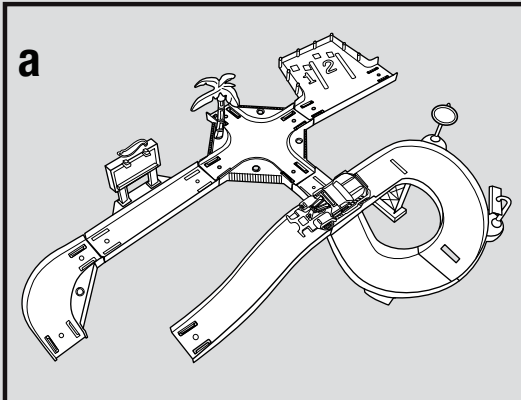
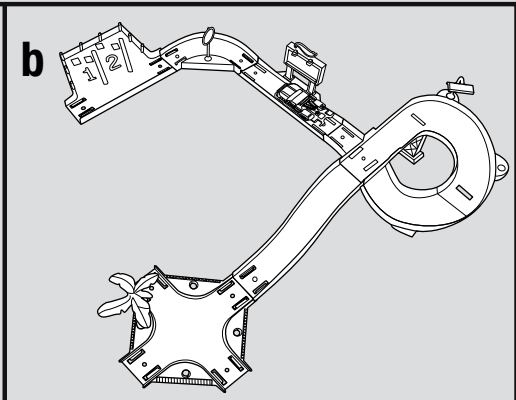
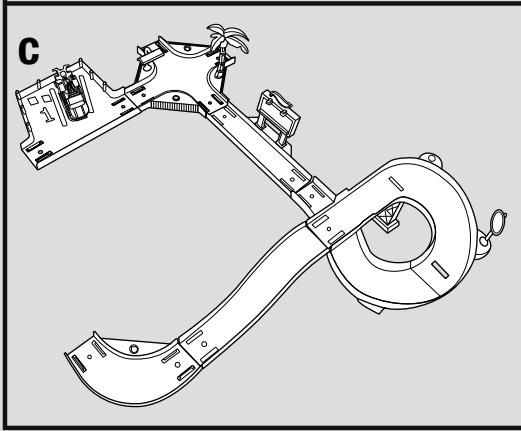
3 ASSEMBLY



Tree and other accessories are interchangeable.



Mix up the parts and create your own track set-up!

<p>a</p> 	<p>b</p> 
<p>c</p> 	<p>d</p> 