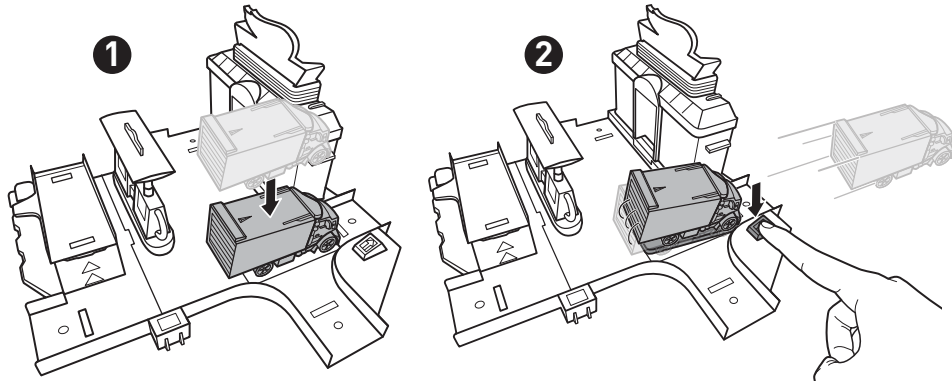
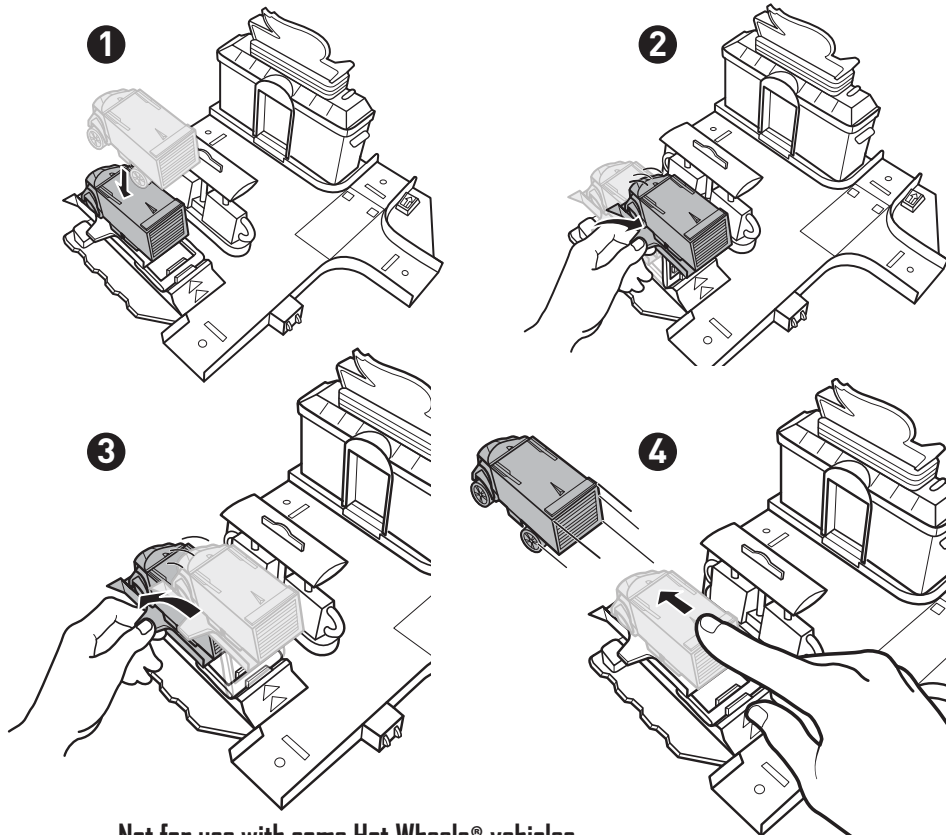


# 4 TO PLAY

## A. Launch car.



## B. Tune up spot.



Not for use with some Hot Wheels® vehicles.



# PIT STOP STATION

## INSTRUCTIONS

Please keep these instructions for future reference as they contain important information.

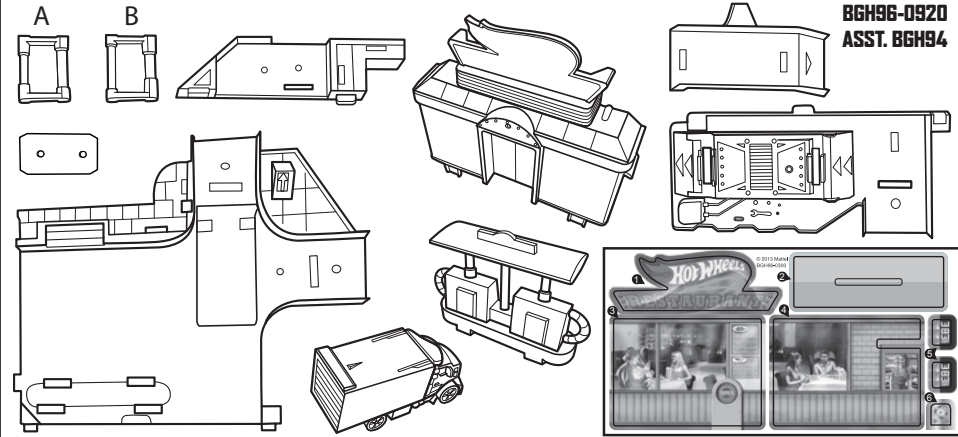
### 1 CONTENTS

**WARNING:**  
CHOKING HAZARD - Small parts.  
Not for children under 3 years.



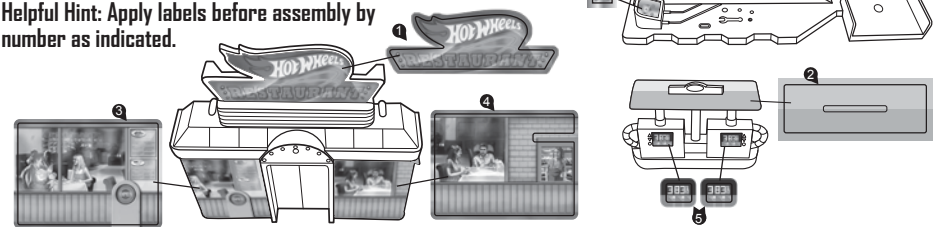
BGH96-0920  
ASST. BGH94

REFER TO MOLDED LETTERS ON PARTS FOR EASY ASSEMBLY.



### 2 APPLY LABELS

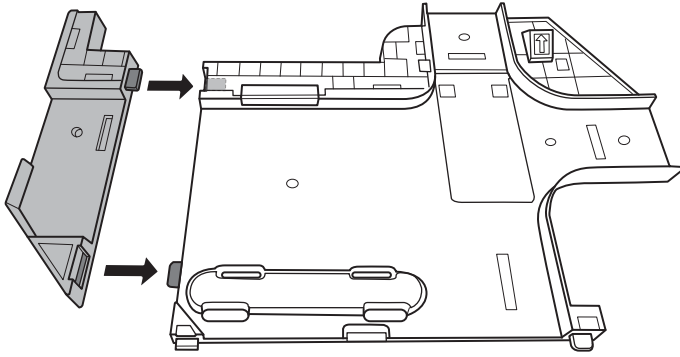
Helpful Hint: Apply labels before assembly by number as indicated.



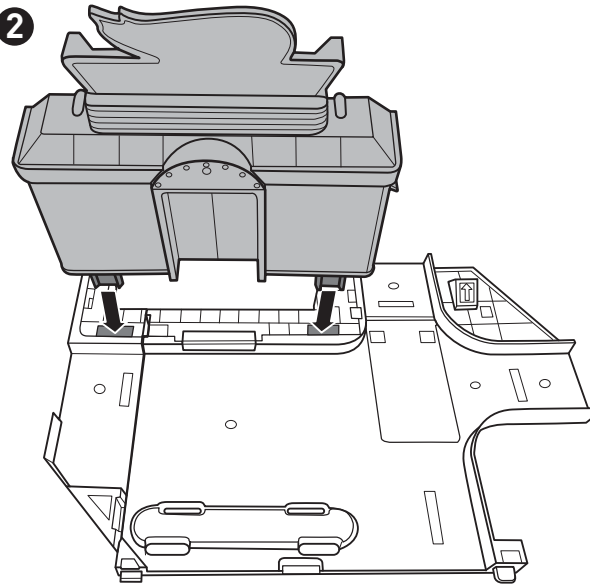
©2013 Mattel. All Rights Reserved. Mattel, Inc., 636 Girard Avenue, East Aurora, NY 14052, U.S.A. Consumer Relations 1-800-524-8697. Mattel U.K. Ltd., Vanwall Business Park, Maidenhead SL6 4UB. Helpline 01628 500303. Mattel Australia Pty., Ltd., Richmond, Victoria. 3121. Consumer Advisory Service - 1300 135 312. Mattel East Asia Ltd., Room 503-09, North Tower, World Finance Centre, Harbour City, Tsimshat-sui, HK, China. Diimport & Diedarkan Oleh: Mattel SEA Ptd Ltd. (993532-P) Lot 13.5, 13th Floor, Menara Lien Hoe, Persiaran Tropicana Golf Country Resort, 47410 PJ, Malaysia. Tel:03-78803817, Fax:03-78803867. service.mattel.com

# 3 ASSEMBLY

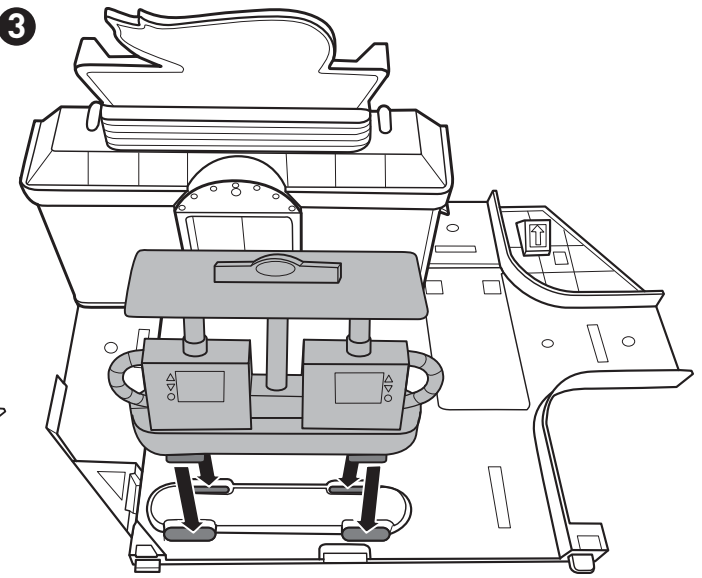
1



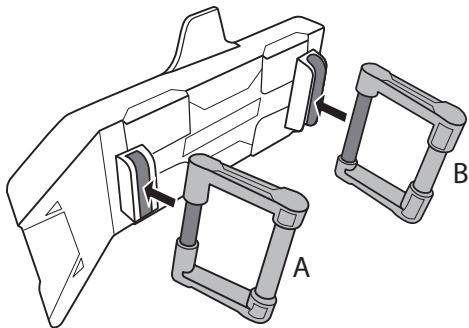
2



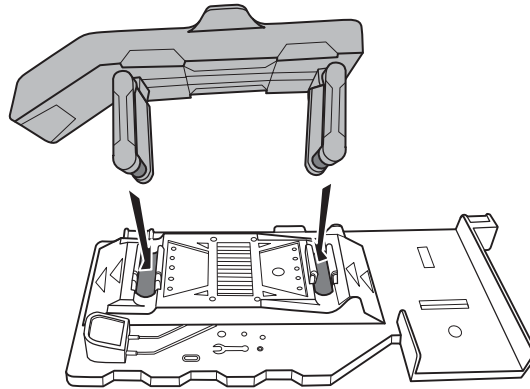
3



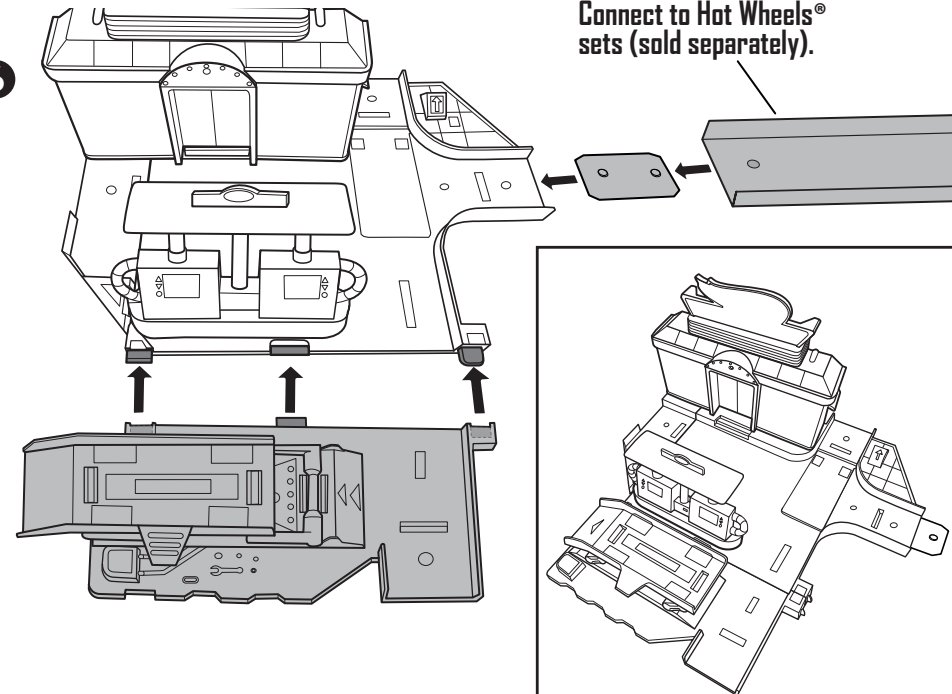
4



5



6



Connect to Hot Wheels® sets (sold separately).