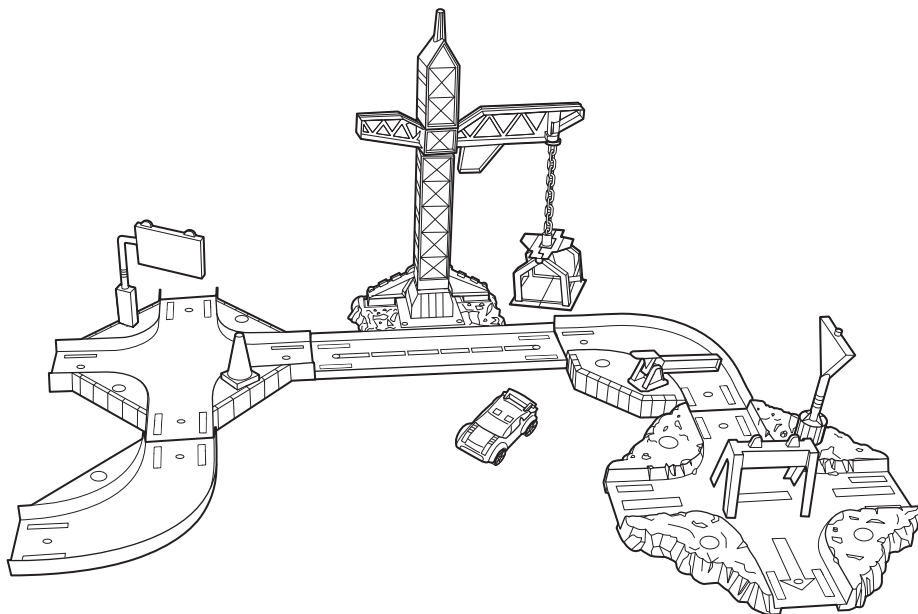


INSTRUCTIONS



CITY CONSTRUCTION JUNCTION™



4+

service.mattel.com
HOTWHEELS.COM

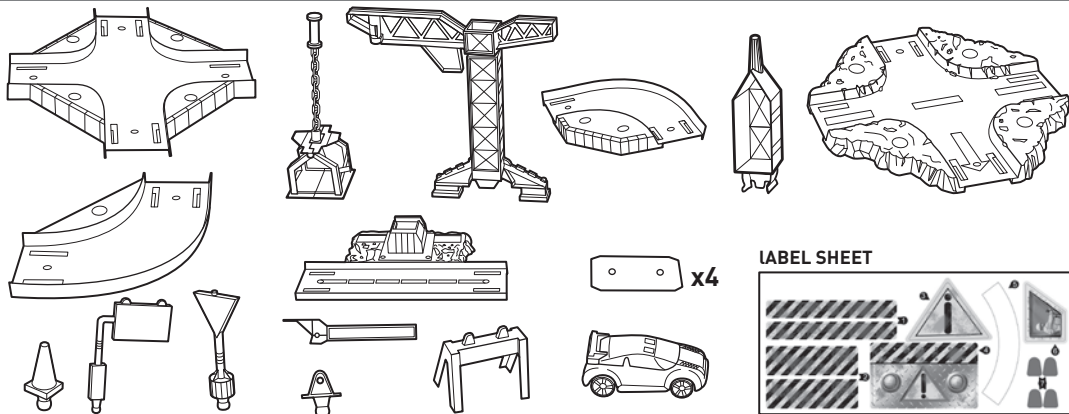
 **WARNING:**
CHOKING HAZARD - Small parts.
Not for children under 3 years.



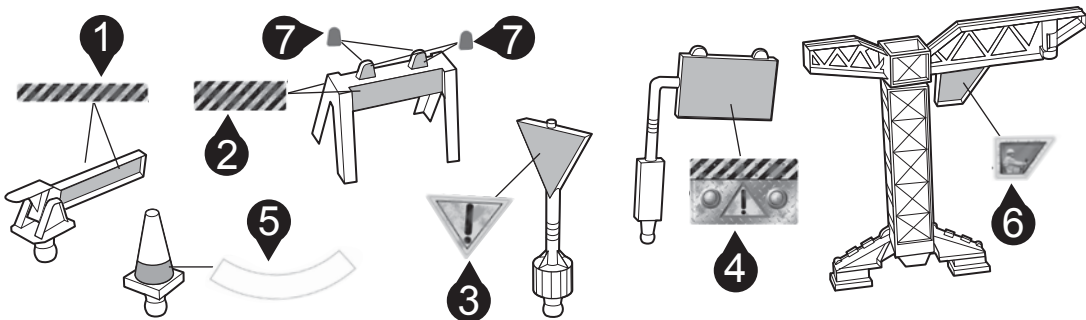
BGH97-0920
Asst.BGH94

PLEASE KEEP THESE INSTRUCTIONS FOR FUTURE
REFERENCE AS THEY CONTAIN IMPORTANT INFORMATION.

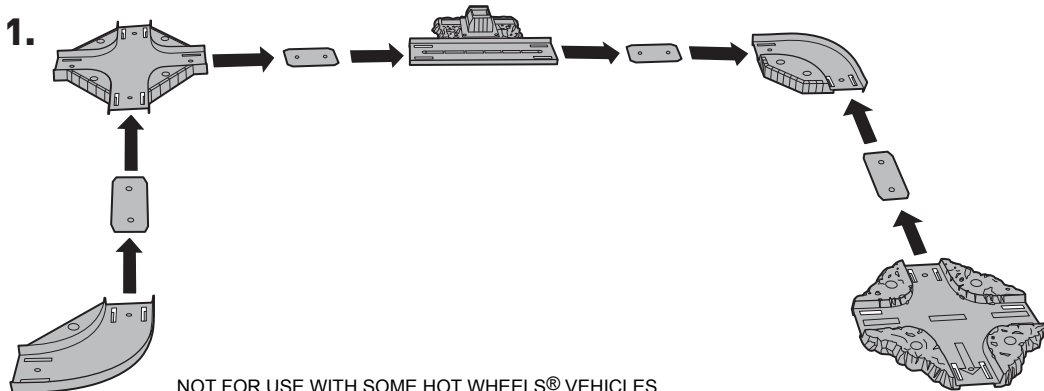
CONTENTS



APPLY LABELS



ASSEMBLY

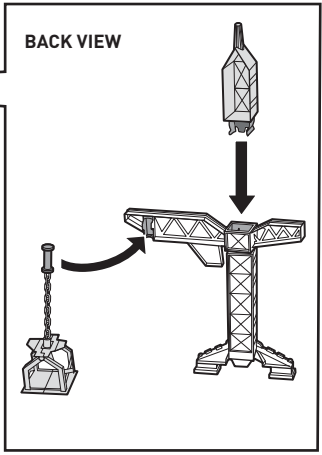
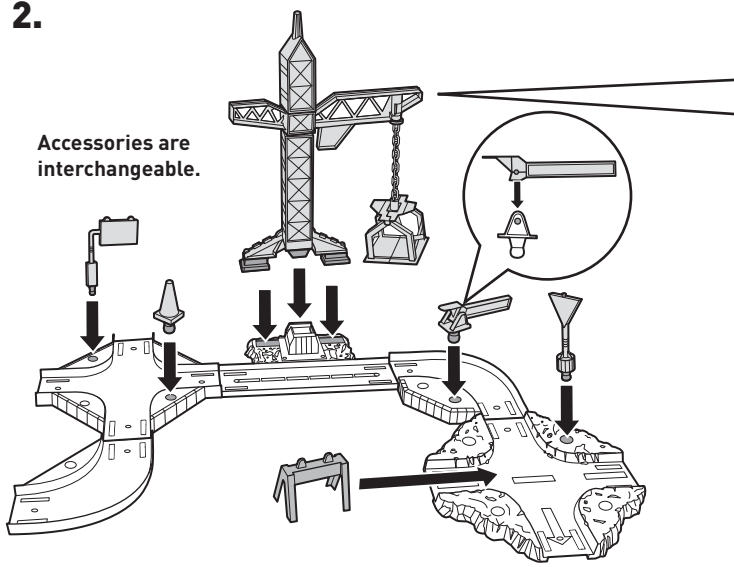


NOT FOR USE WITH SOME HOT WHEELS® VEHICLES.
INCLUDES ONE VEHICLE, ADDITIONAL VEHICLES SOLD SEPARATELY.

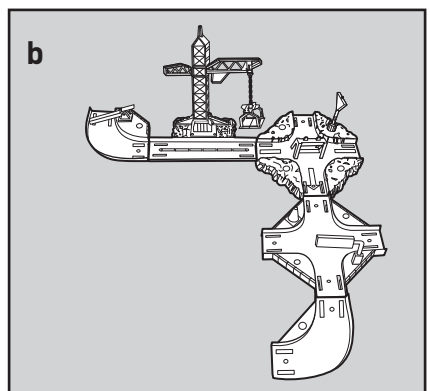
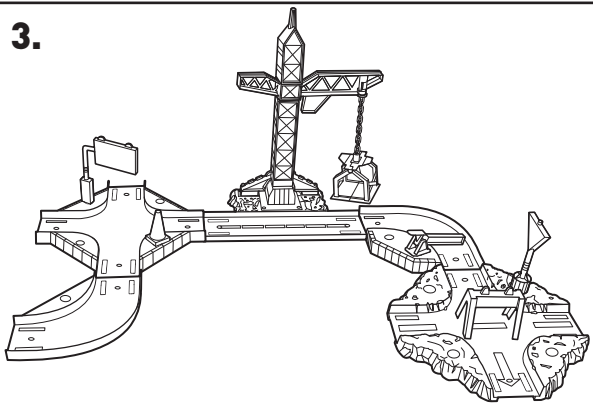
ASSEMBLY (CONTD.)

2.

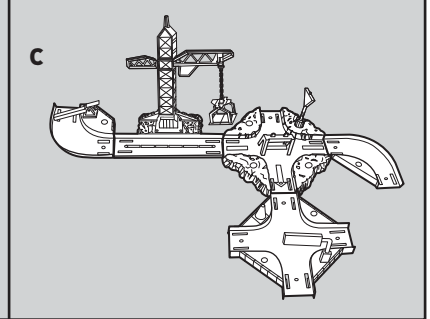
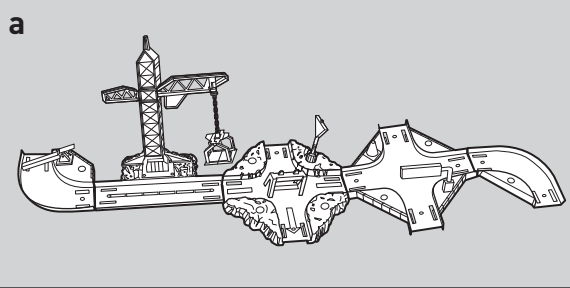
Accessories are interchangeable.



3.

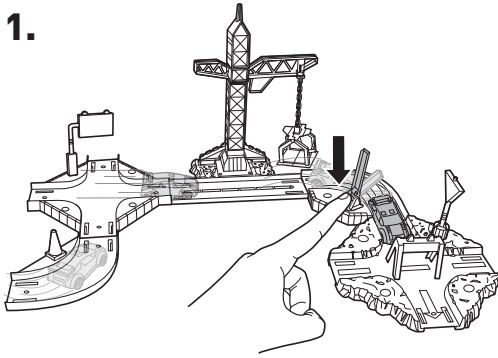


Mix up the parts and create your own track set-up!

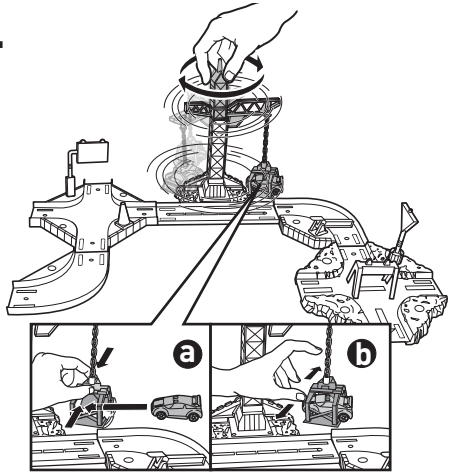


TO PLAY

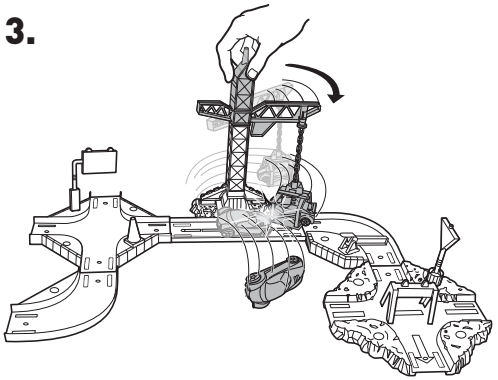
1.



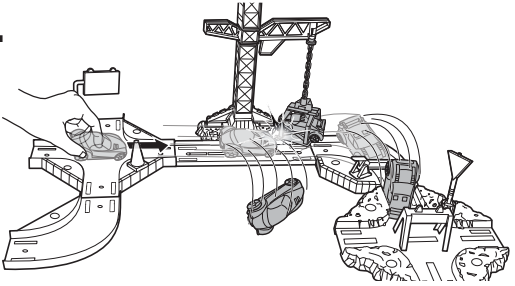
2.



3.

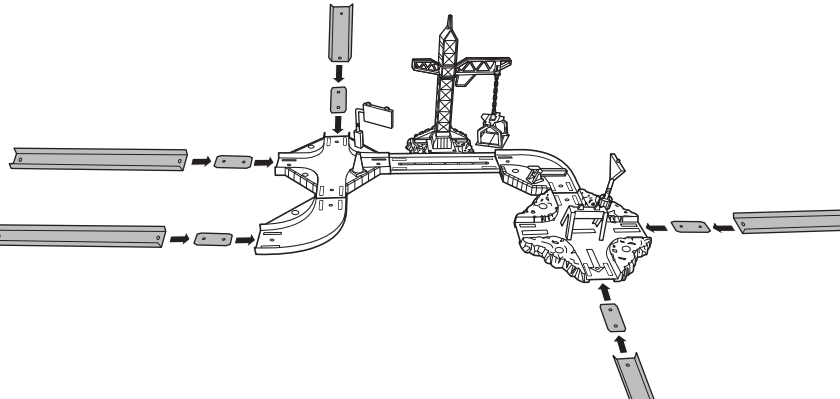


4.



MORE WAYS TO PLAY

Connect to other Hot Wheels® sets (sold separately).



©2014 Mattel. All Rights Reserved. Mattel, Inc., 636 Girard Avenue, East Aurora, NY 14052, U.S.A. Consumer Relations 1-800-524-8697. Mattel U.K. Ltd., Vanwall Business Park, Maidenhead SL6 4UB. Helpline 01628 500303. Mattel Australia Pty., Ltd., Richmond, Victoria. 3121. Consumer Advisory Service - 1300 135 312. Mattel East Asia Ltd., Room 503-09, North Tower, World Finance Centre, Harbour City, Tsimshatsui, HK, China. Diimport & Diedarkan Oleh: Mattel SEA Ptd Ltd.(993532-P) Lot 13.5, 13th Floor, Menara Lien Hoe, Persiaran Tropicana Golf Country Resort, 47410 PJ, Malaysia. Tel:03-78803817, Fax:03-78803867.