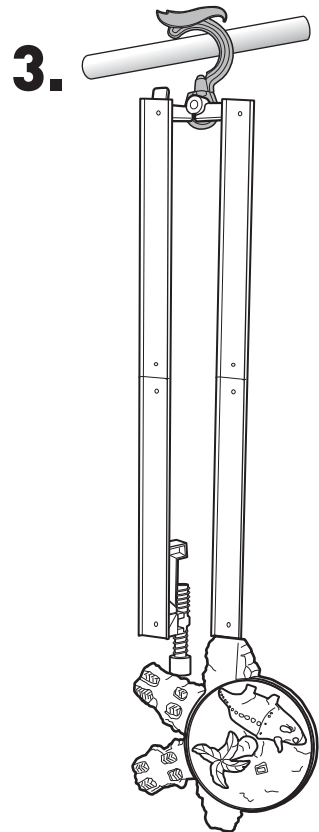
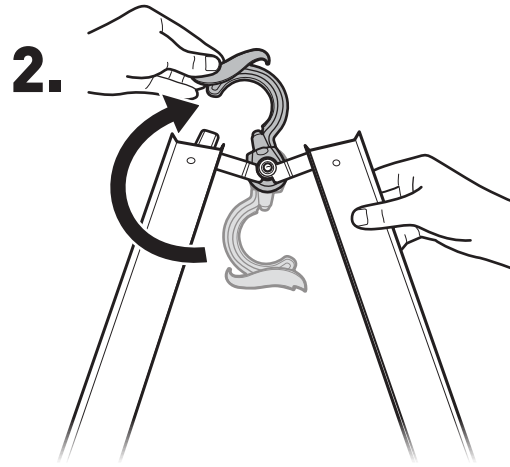
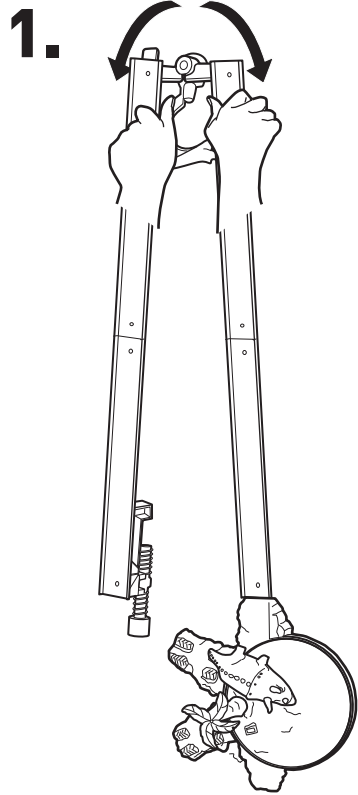


5

FOLD UP & STORE

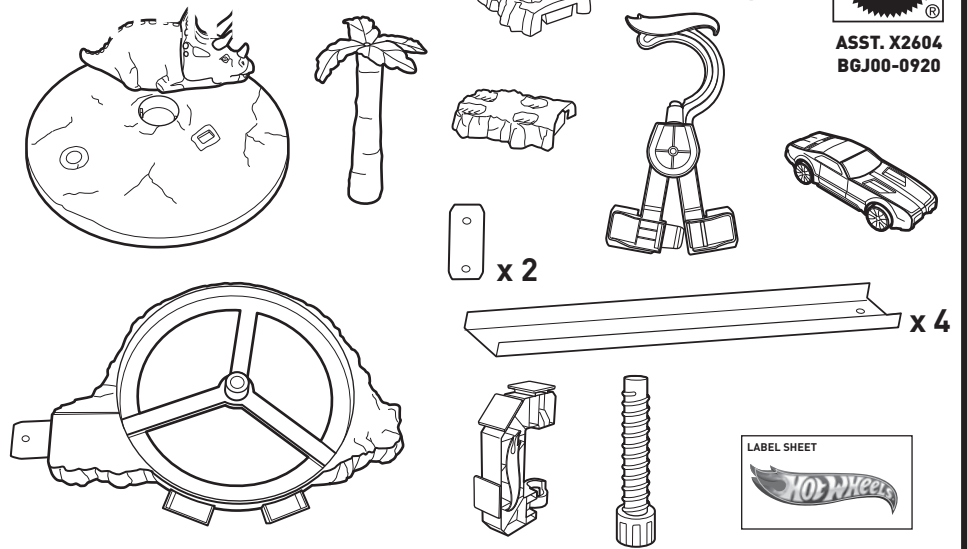


DINO SPINOUT®

INSTRUCTIONS

Please keep these instructions for future reference as they contain important information.

1 CONTENTS



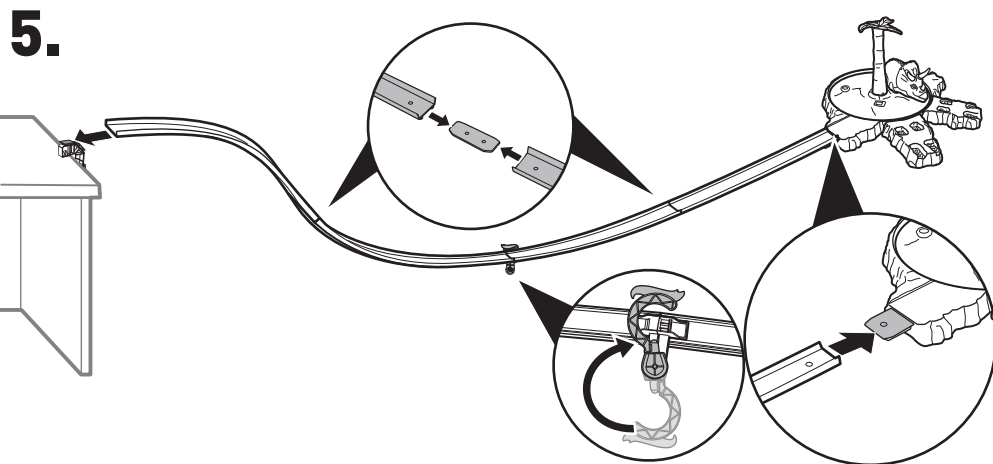
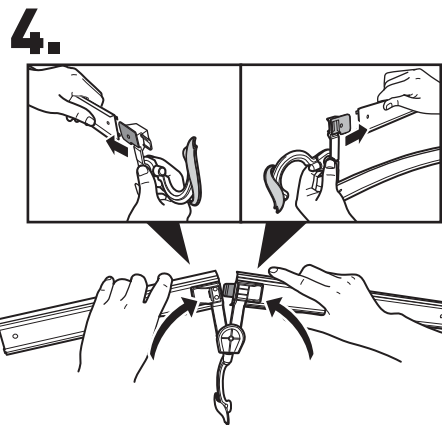
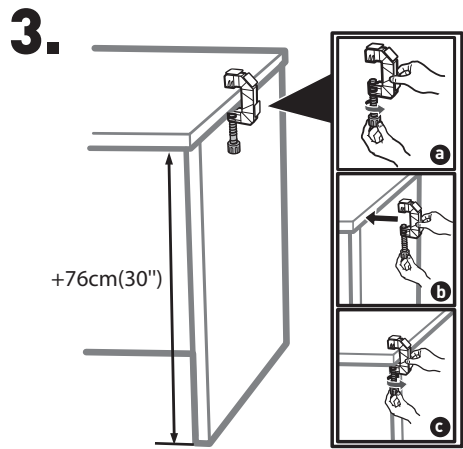
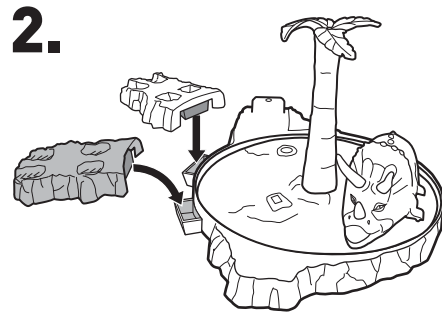
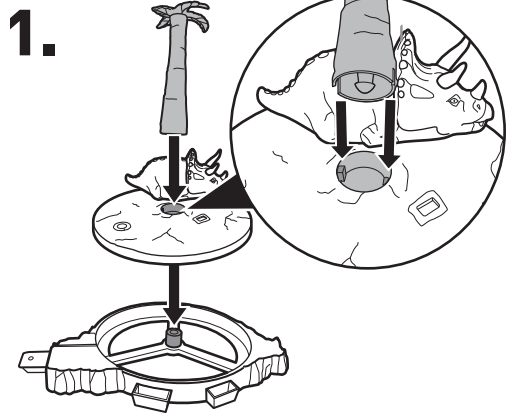
2 APPLY LABELS

Helpful Hint: Apply labels before assembly by number as indicated.



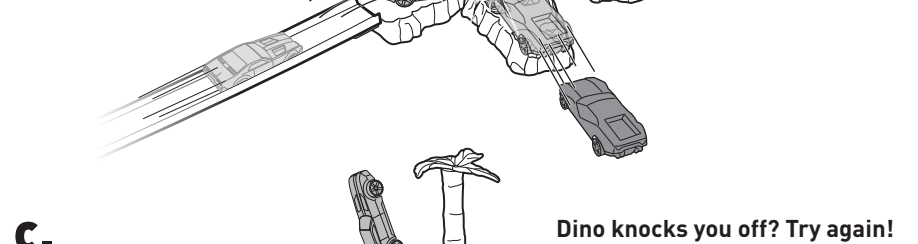
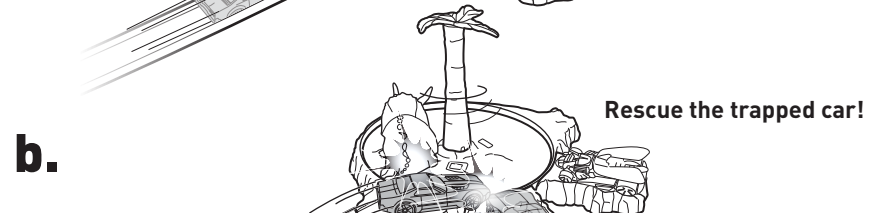
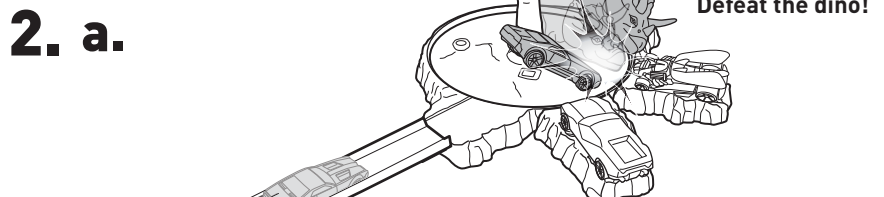
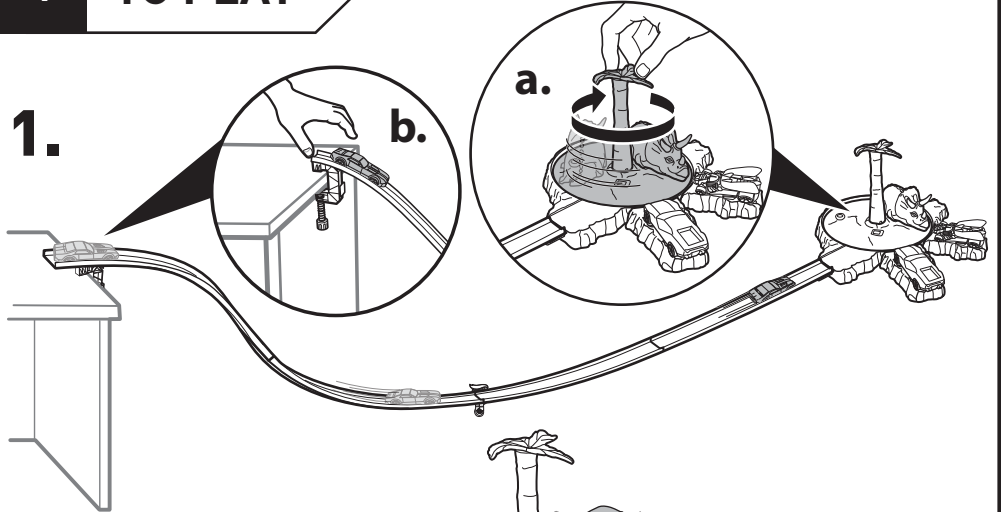
©2013 Mattel. All Rights Reserved. Mattel, Inc., 636 Girard Avenue, East Aurora, NY 14052, U.S.A. Consumer Relations 1-800-524-8697. Mattel U.K. Ltd., Vanwall Business Park, Maidenhead SL6 4UB. Helpline 01628 500303. Mattel Australia Pty., Ltd., Richmond, Victoria. 3121. Consumer Advisory Service - 1300 135 312. Mattel East Asia Ltd., Room 503-09, North Tower, World Finance Centre, Harbour City, Tsimshatsui, HK, China. Diimport & Diedarkan Oleh: Mattel SEA Ptd Ltd.(993532-P) Lot 13.5, 13th Floor, Menara Lien Hoe, Persiaran Tropicana Golf Country Resort, 47410 PJ. Malaysia. Tel:03-78803817, Fax:03-78803867. service.mattel.com

3 ASSEMBLY



4 TO PLAY

Spin dino and launch car.



INCLUDES 1 VEHICLE. ADDITIONAL VEHICLES SOLD SEPARATELY. NOT FOR USE WITH SOME HOT WHEELS® VEHICLES.