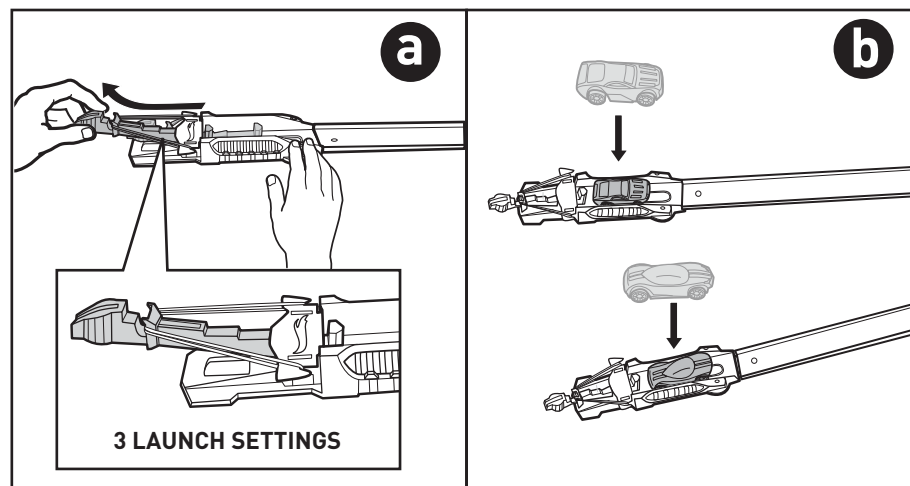
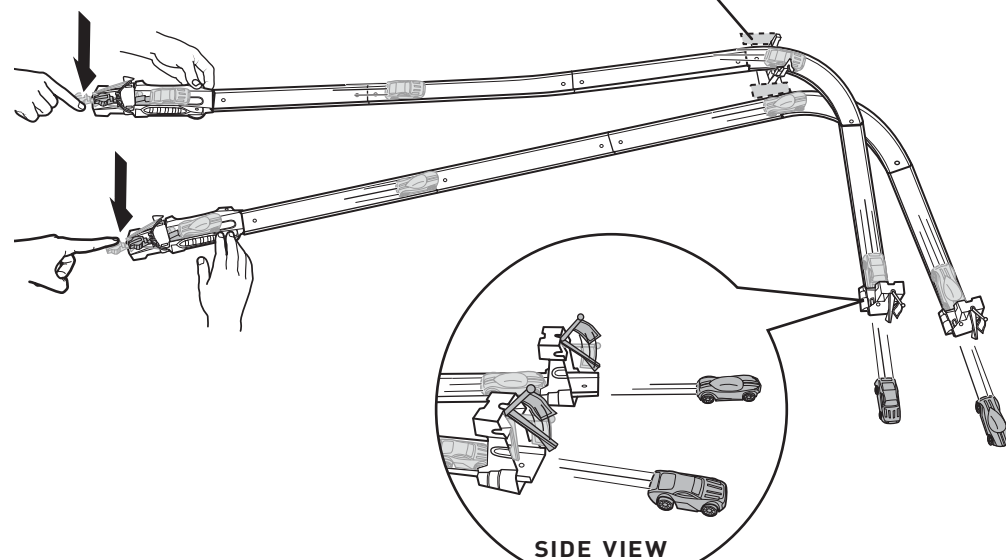


4 TO PLAY

- 1 Try different launch setting for best performance



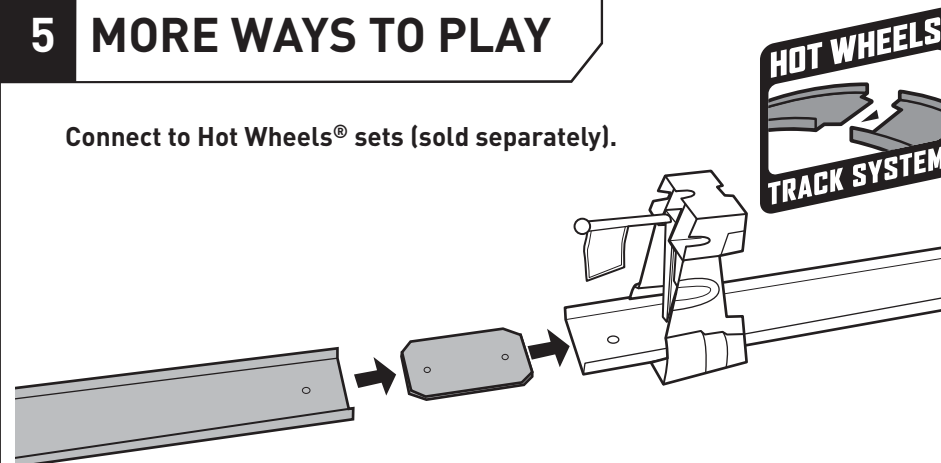
2. For optimal results, use low-adhesive tape to attach supports to playing surface.



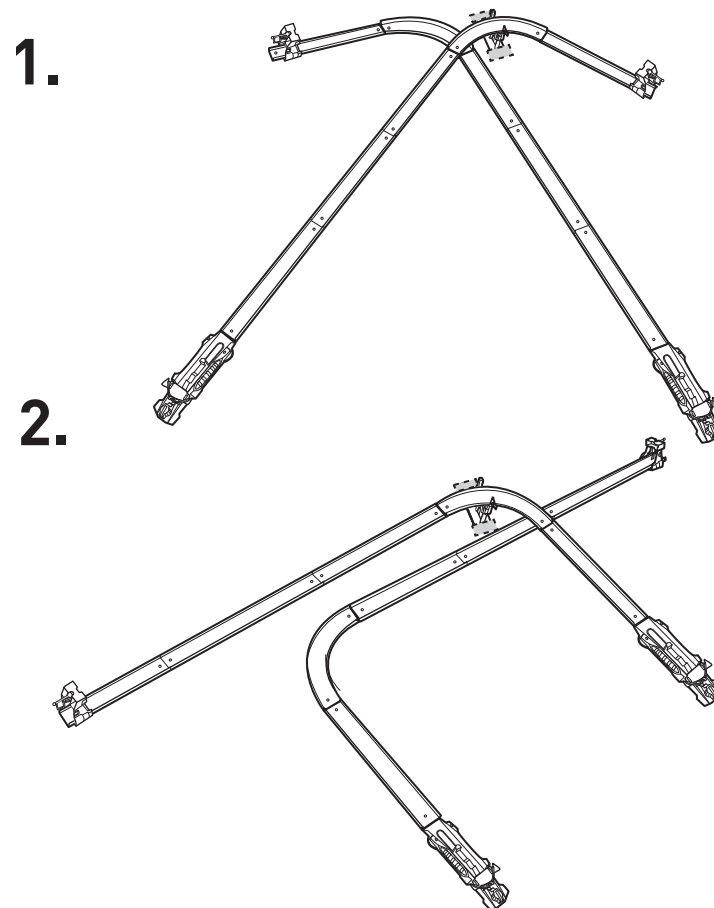
NOT FOR USE WITH SOME HOT WHEELS® VEHICLES

5 MORE WAYS TO PLAY

Connect to Hot Wheels® sets (sold separately).



6 BUILD MULTIPLE LAYOUTS



TURBO RACE™ SET

INSTRUCTIONS

Please keep these instructions for future reference as they contain important information.

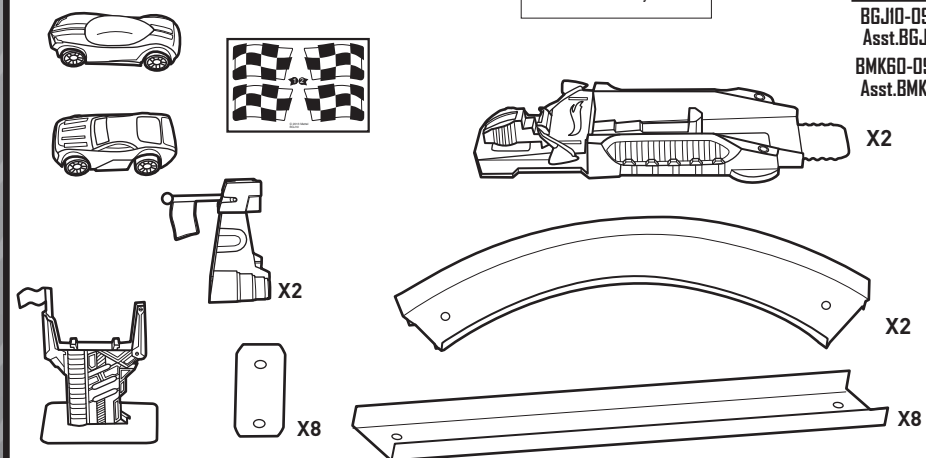
1 CONTENTS

WARNING:
CHOKING HAZARD - Small parts.
Not for children under 3 years.

5+

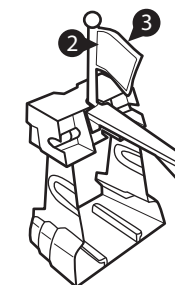


BGJ10-0920
Asst.BGJ08
BMK60-0920
Asst.BMK58



2 APPLY LABELS

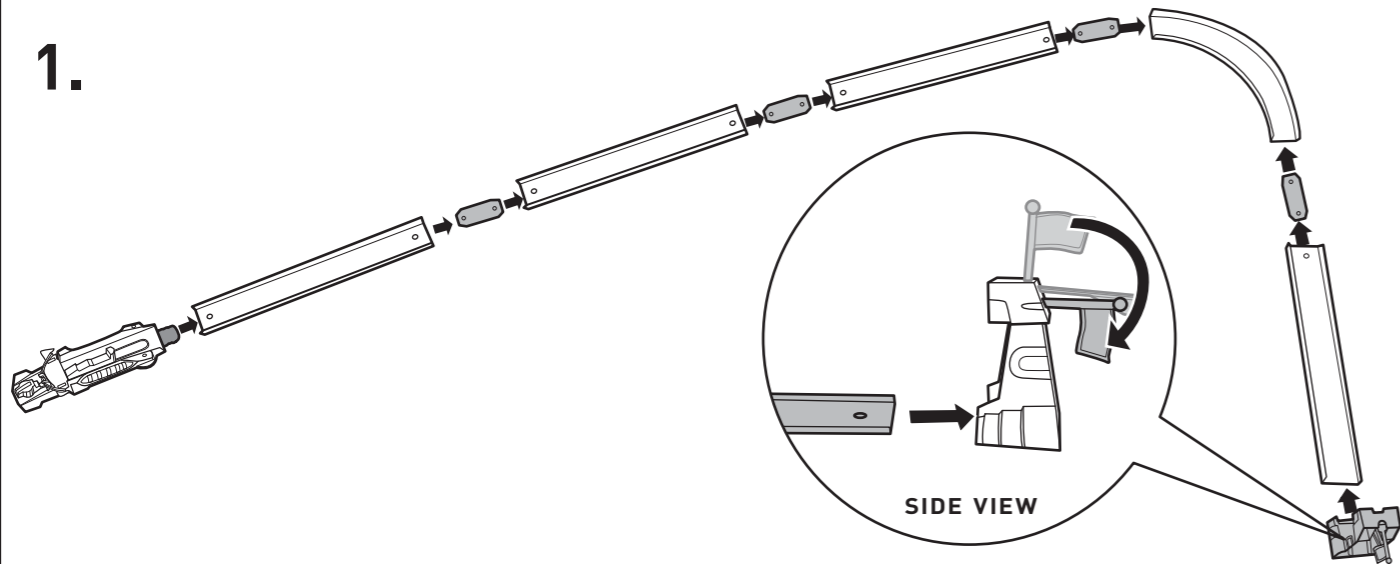
Helpful Hint: Apply labels before assembly by number as indicated.



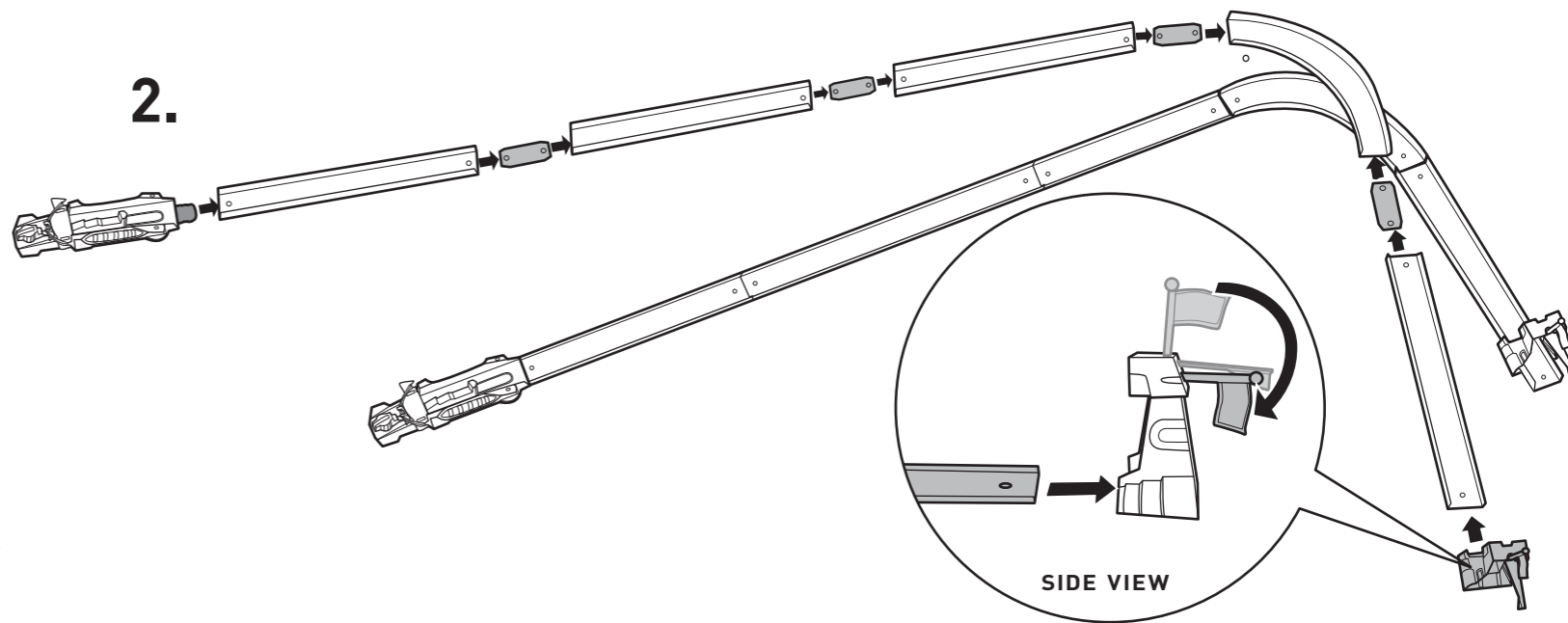
©2013 Mattel. All Rights Reserved. Mattel, Inc., 636 Girard Avenue, East Aurora, NY 14052, U.S.A. Consumer Relations 1-800-524-8697. Mattel U.K. Ltd., Vanwall Business Park, Maidenhead SL6 4UB. Helpline 01628 500303. Mattel Australia Pty., Ltd., Richmond, Victoria. 3121. Consumer Advisory Service - 1300 135 312. Mattel East Asia Ltd., Room 503-09, North Tower, World Finance Centre, Harbour City, Tsimshatsui, HK, China. Diimport & Diedarkan Oleh: Mattel SEA Ptd Ltd. (993532-P) Lot 13.5, 13th Floor, Menara Lien Hoe, Persiaran Tropicana Golf Country Resort, 47410 PJ, Malaysia. Tel:03-78803817, Fax:03-78803867. service.mattel.com

3 ASSEMBLY

1.



2.



3.

