

size: 24" x 30" Color: 4c + 1c DOM

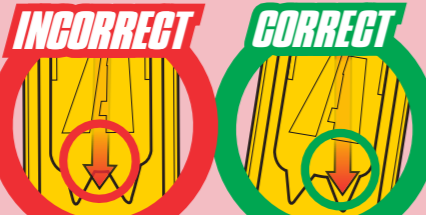
TAPE HANGING TEMPLATE TO WALL AT CHILD'S EYE LEVEL. THIS SIDE UP FOR STEPS 1-3



POWER LOOP® HANGING TEMPLATE



FOR STEP 3: BRACKET A



Red arrow should line up with arrow on bracket.

Press bracket firmly for 30 seconds.

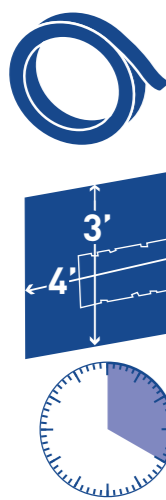
FOR INSTRUCTIONAL VIDEOS AND MORE GO TO
WWW.HOTWHEELS.COM/WALLTRACKS

APPLY LABELS

Helpful Hint: Apply label before assembly as shown.

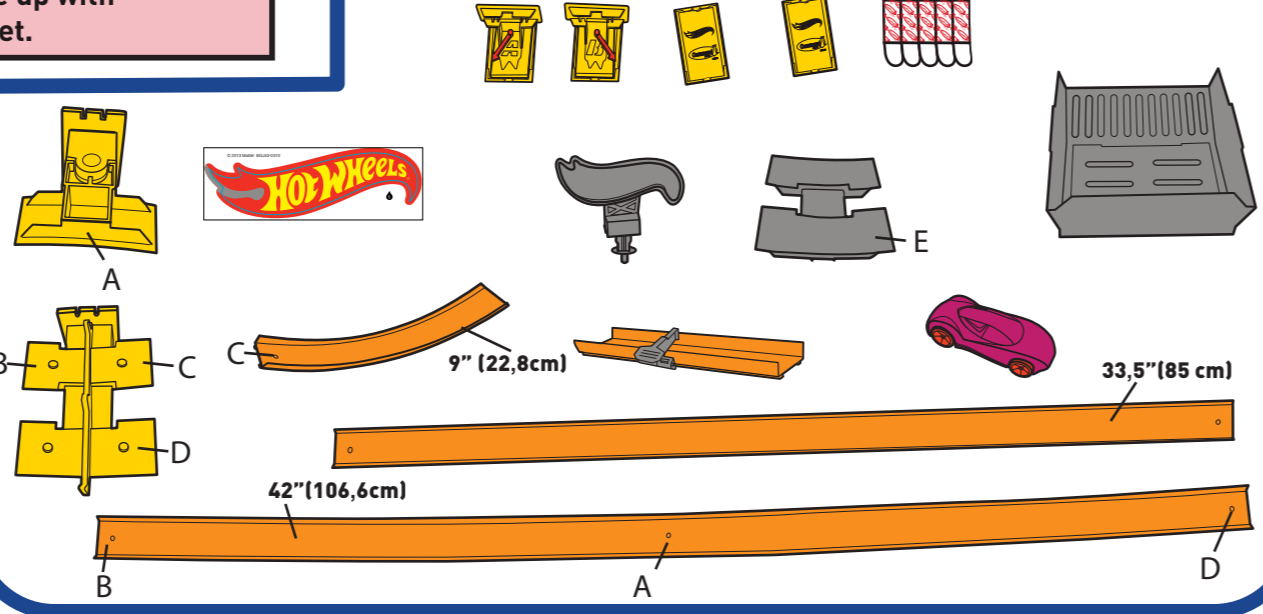


YOU WILL NEED:



- Low-adhesive tape such as painter's tape or masking tape
- Approximately 4 feet by 3 feet (120 cm x 90 cm) of open wall space
- 20 minutes

CONTENTS: (Adult Assembly Only) 4+



START HERE:

Please read all instructions before beginning assembly and set-up.

1 HANG TEMPLATE

Lie template flat and level against wall and tape as shown. The top of the template should align with the height of the child.

NOTE TO PARENTS: Before applying Command® Strips make sure the wall surface is clean and dry. If cleaning is necessary 3M recommends using isopropyl rubbing alcohol. Do not use household cleaners.



2 PREPARE BRACKETS

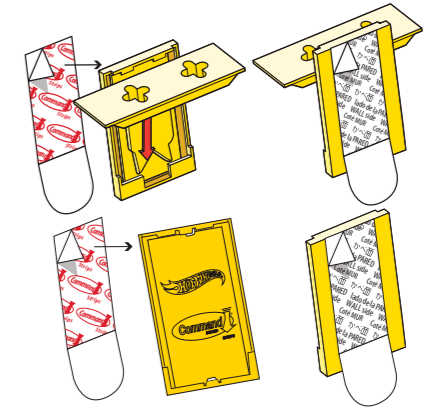
There are 2 yellow brackets [Marked A - B], 2 yellow flat brackets and 5 Command® Strips (1 extra strip).

Separate strips. Remove red-printed liner from Command® Strips and apply to back of brackets as shown. Make sure the strip tab is accessible for future removal.

NOTE: Apply strips to surfaces above 50°F (10°C). Adhesive could lose adhesion above 105°F (40°C).

CAUTION: DO NOT use with wallpaper. May not adhere well to vinyl surfaces. DO NOT hang items over beds.

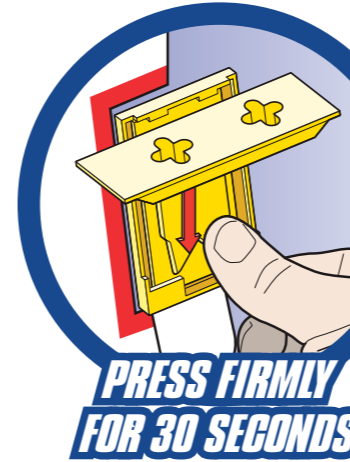
Red Printing = On Bracket



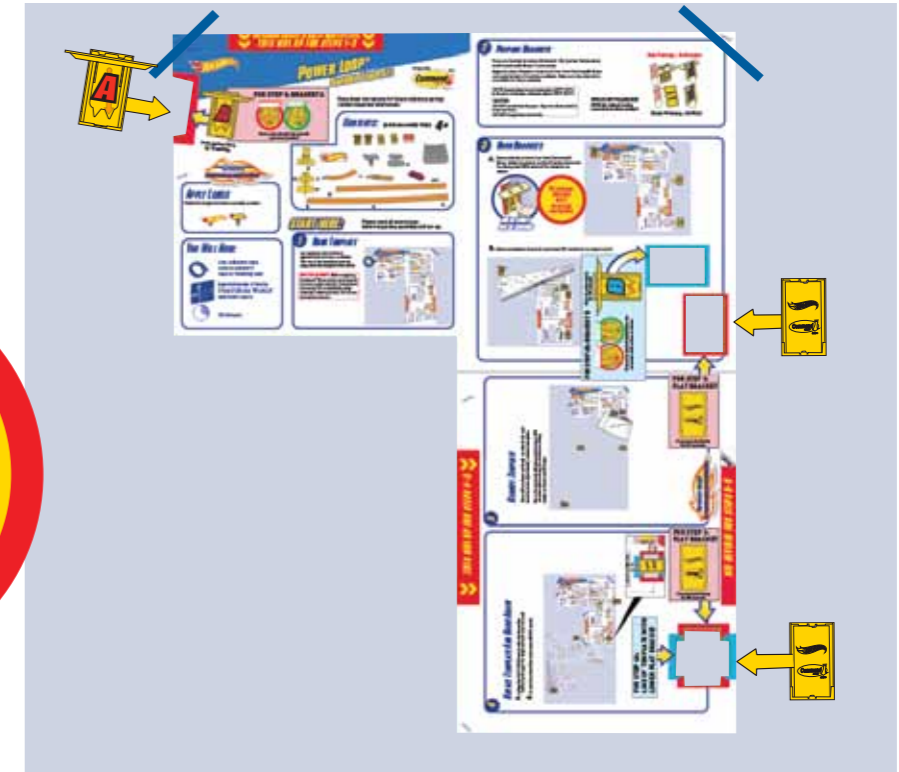
Black Printing = On Wall

3 HANG BRACKETS

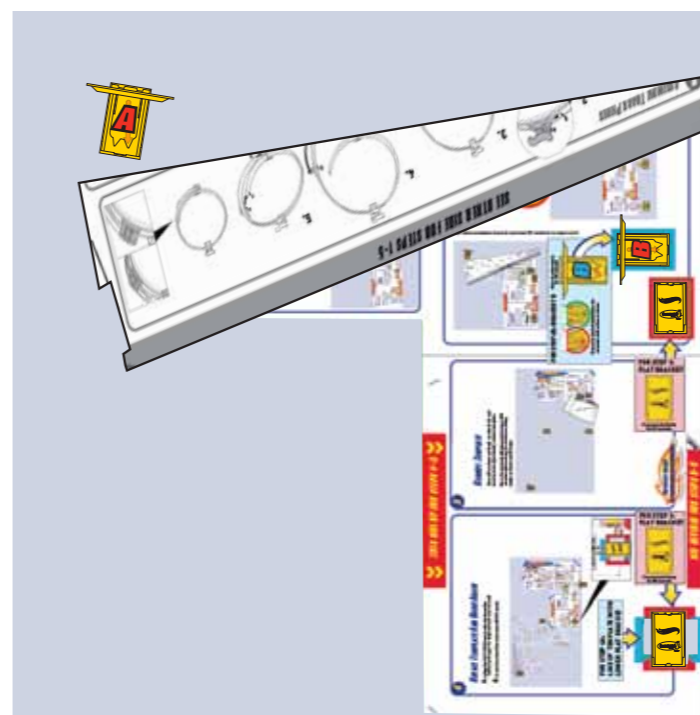
A. Remove black-printed liner from Command® Strips. Attach bracket A and the 2 flat brackets to the designated RED notch of the template as shown.



Brackets should NOT overlap template



B. Remove template from wall and rotate 90° clockwise for steps 4 and 5.



FOR STEP 4B: BRACKET B
Press bracket firmly for 30 seconds.

FOR STEP 3: BRACKET A
Red arrow should lie between the arrows in the bracket as shown.

FOR STEP 3: FLAT BRACKET



Press bracket firmly for 30 seconds.

REMOVE TEMPLATE

Once all brackets are firmly attached with red arrows correctly oriented, remove template.
Note: For optimal adhesion performance 3M recommends waiting 1 hour before adding weight to Command® Strips.

5

4

ROTATE TEMPLATE AND HANG AGAIN

A. Align the LEFT BLUE notch with the lower flat bracket and tape the template back onto the wall.
B. Attach bracket B into the second BLUE notch.



FOR STEP 4A:
LINE UP TEMPLATE WITH LOWER FLAT BRACKET

FOR STEP 3: FLAT BRACKET



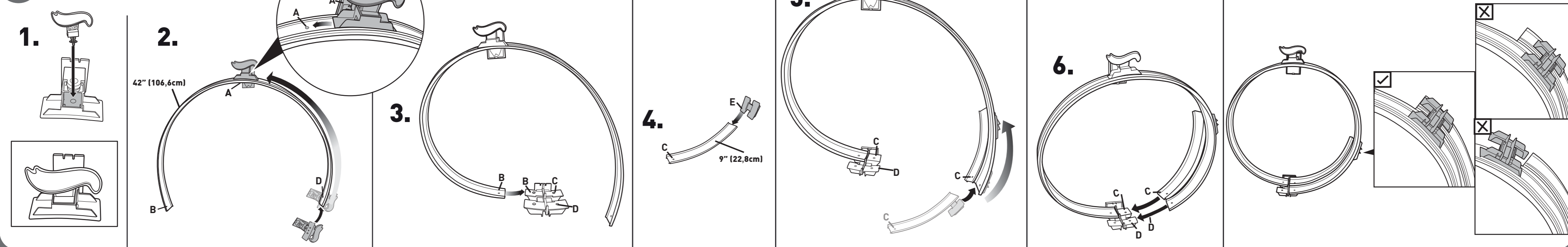
Press bracket firmly for 30 seconds.

THIS SIDE UP FOR STEPS 4-5

SEE REVERSE FOR STEPS 6-9

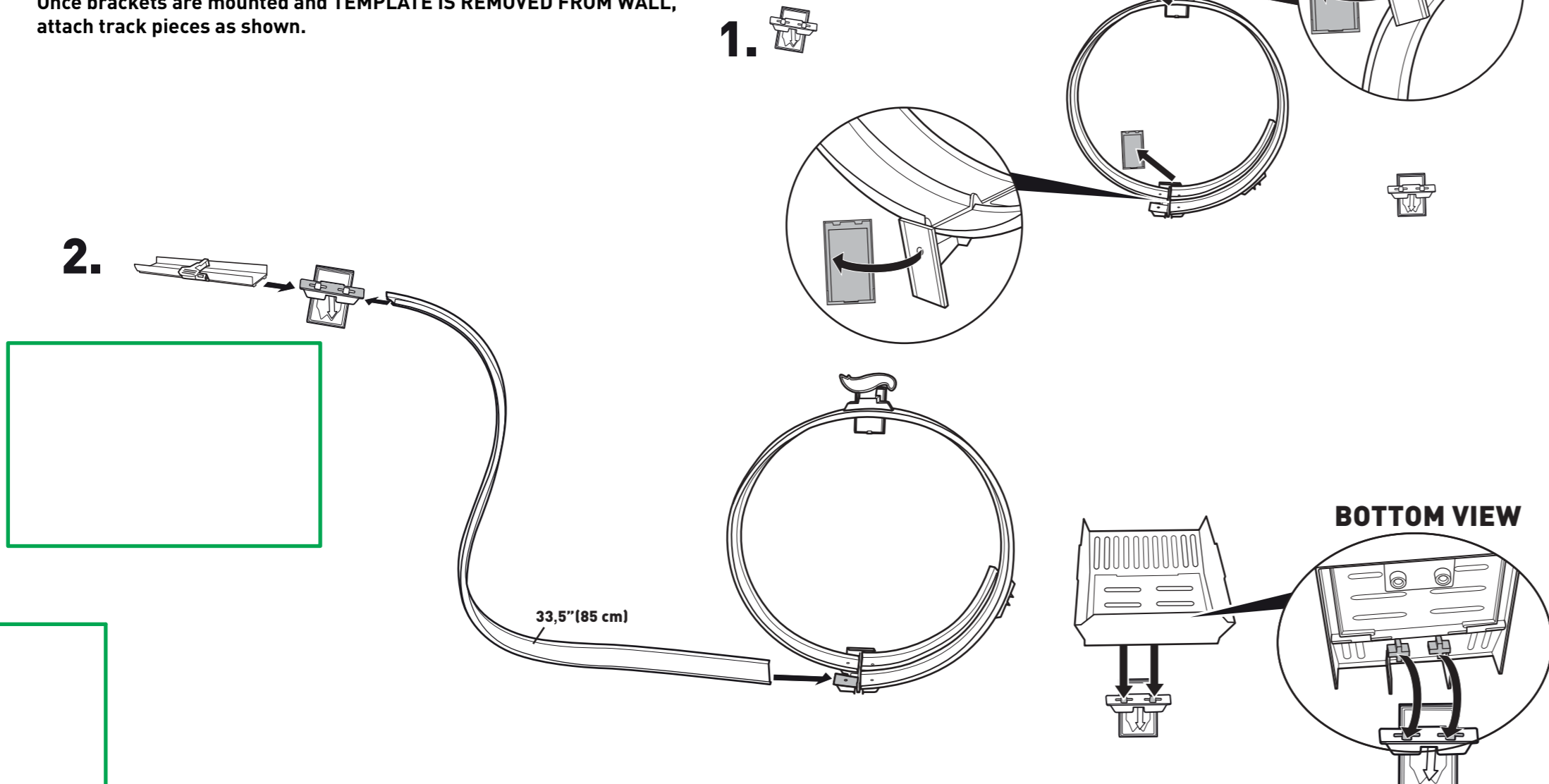
REVERSIBLE TRACK!
FOR TEMPLATE OVER THE INSTRUCTIONS.

6 ASSEMBLE TRACK PIECES



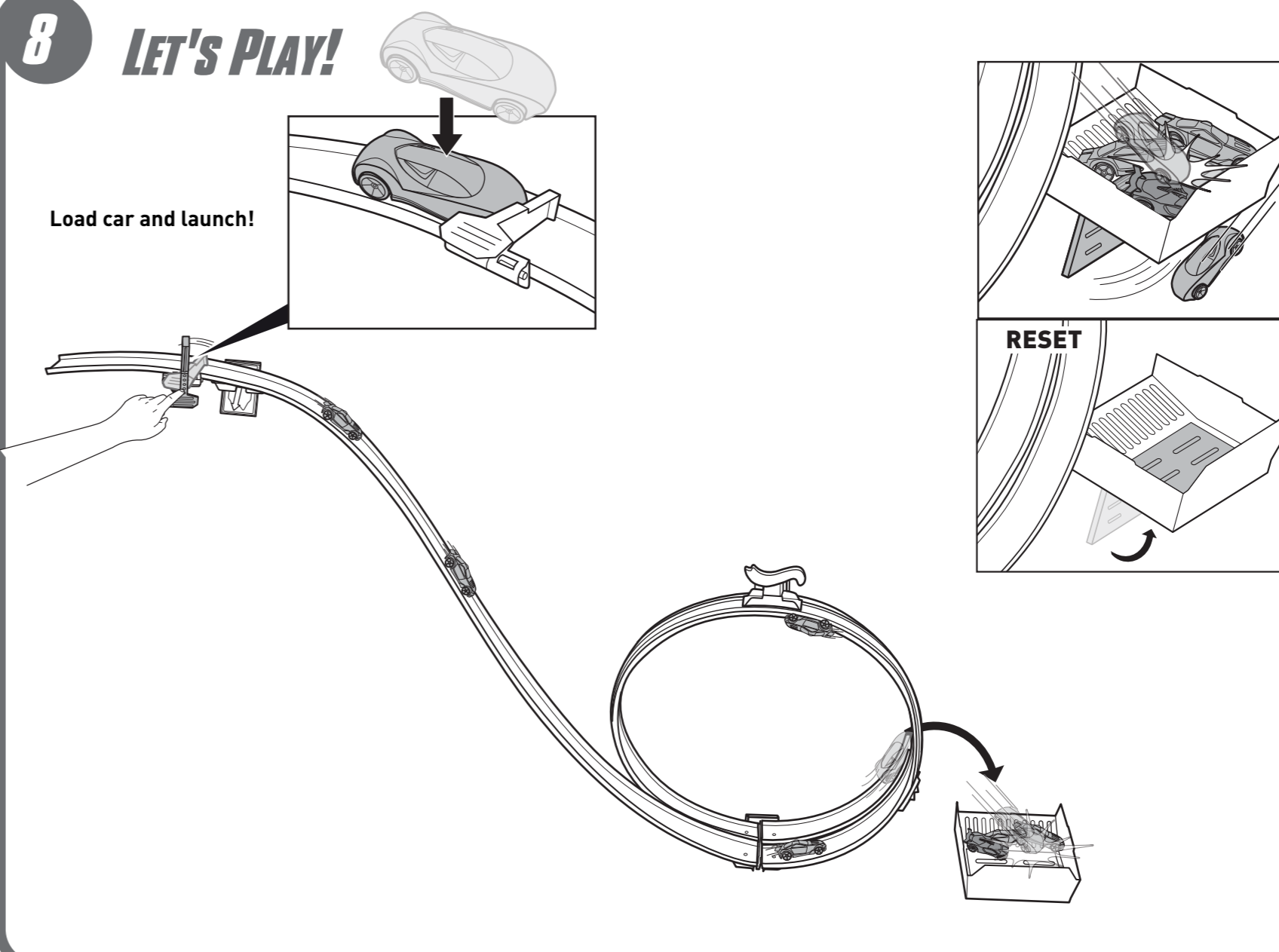
7 HANG TRACK ON WALL

Once brackets are mounted and TEMPLATE IS REMOVED FROM WALL, attach track pieces as shown.

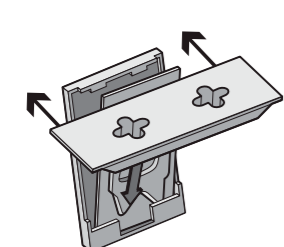


8 LET'S PLAY!

Load car and launch!



9 REATTACHING & REMOVAL



Mounting brackets are designed to break away from the set without causing surface damage. If mounting plate separates from bracket, snap bracket back into place.

Remove track pieces from wall prior to removing brackets.



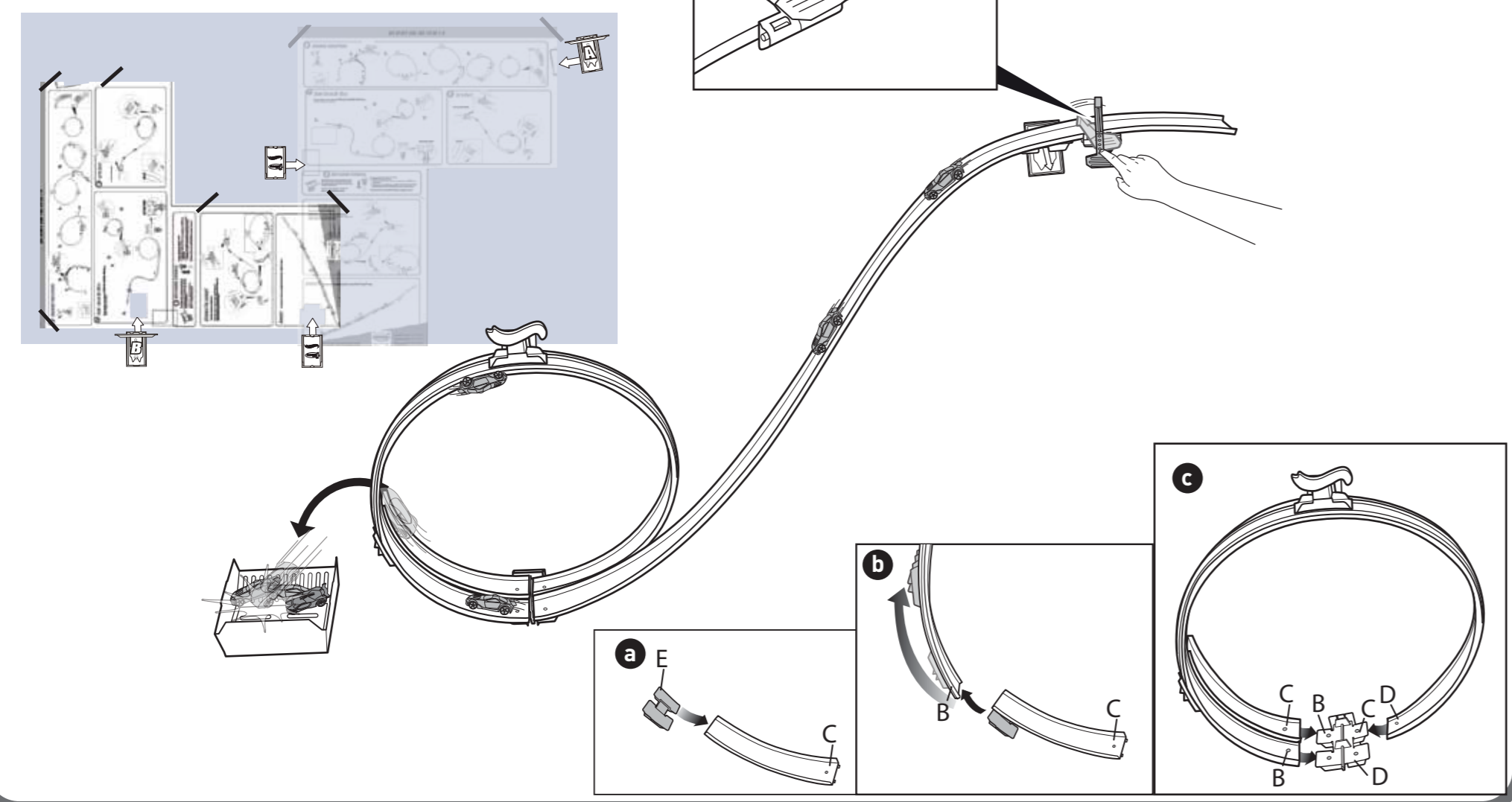
- To remove brackets from the wall entirely:
1. NEVER pull strip towards you.
 2. Hold bracket gently to prevent it from snapping fingers. DO NOT press against wall.
 3. Grab tab on Command® Strip and SLOWLY STRETCH STRAIGHT DOWN ALONG WALL AT LEAST 12 INCHES until bracket and strip release.

Purchase medium Command® Refill Strips to reapply to your wall.

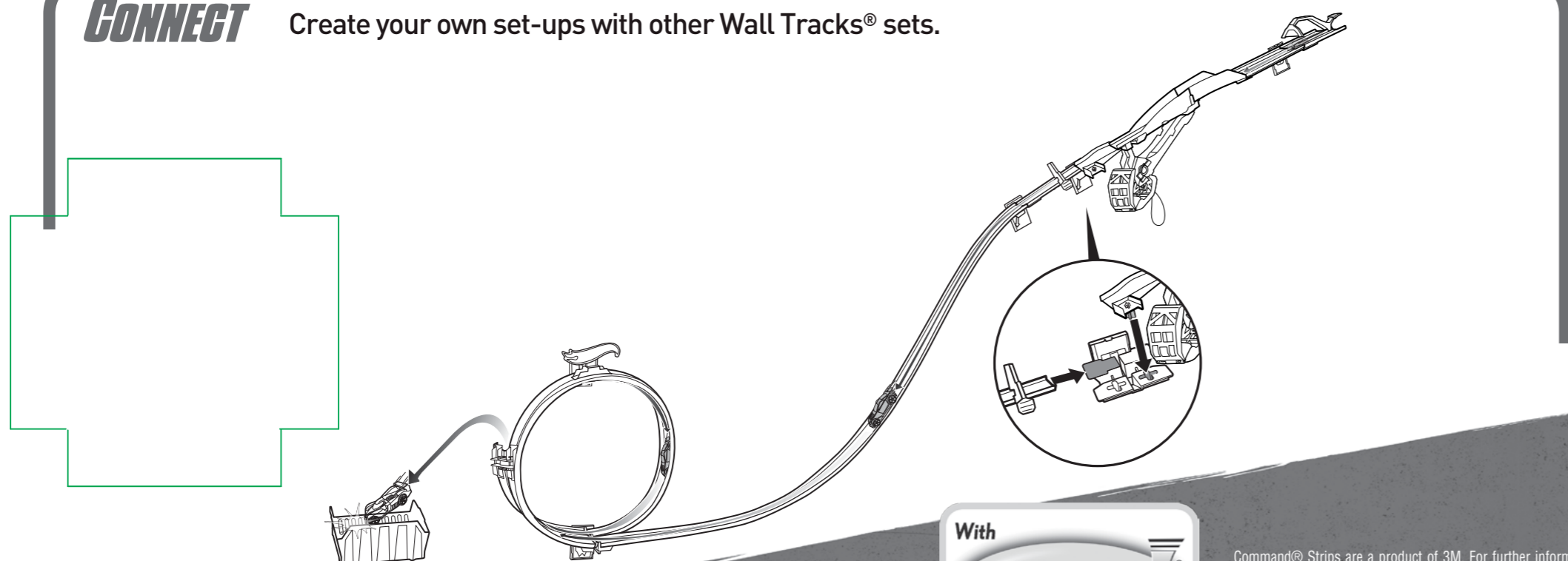
REVERSE THE LAYOUT!

Track also hangs from right to left.

Attach the yellow brackets to the wall with this side of the instructions as the template. Refer to the images and letters below to assist with assembly.



CONNECT Create your own set-ups with other Wall Tracks® sets.



Command® Strips are a product of 3M. For further information visit command.com.

NOTE: Apply strips to surfaces above 50°F (10°C). Adhesive could lose adhesion above 105°F (40°C).

CAUTION: DO NOT use with wallpaper. May not adhere well to vinyl surfaces. DO NOT hang items over beds.

3M and Command are trademarks of 3M.

© 3M 2013. All Rights Reserved.



8143-0920
ASST CBF37

©2013 Mattel. All Rights Reserved. Mattel, Inc. 435 Grant Avenue, East Aurora, NY 14053, U.S.A. Consumer Relations 1-800-524-8687. Mattel U.K. Ltd., Vauxhall Business Park, Watlington Rd, Banbury, Oxfordshire OX9 3DQ, U.K. Mattel Australia Pty. Ltd., Richmond, Victoria, 3121, Australia. Customer Service: 1-800-333-3333. Mattel East Asia Ltd., Room 502-503, North Tower, World Finance Centre, Harbour City, Tsimshatsui, HK. China Distributor & Distributor Office: Mattel SEA Pte Ltd, #03-02/03, Lot 18.5, 12th Floor, Marina Link Hotel, Preseren, Singapore. Distributor: Mattel Sdn Bhd, 47410 P.O. Malaysia, Telok Pangkajene, Johor Bahru.