



RACE

MOTO TRACK STARS® SUPER FLIP SPEEDWAY™



BGJ49-0920



LABEL SHEET

INSTRUCTIONS

Please keep these instructions for future reference as they contain important information.

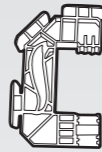
CONTENTS

X2

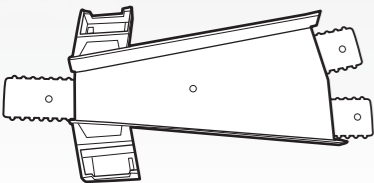
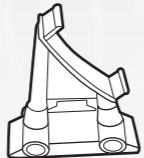
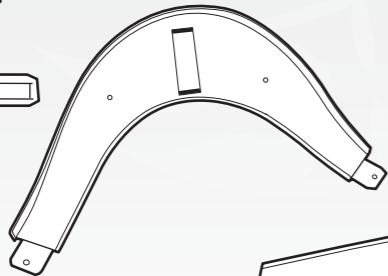
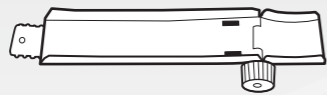
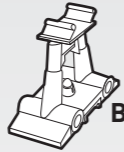
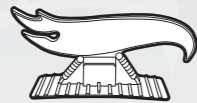


X2

X2

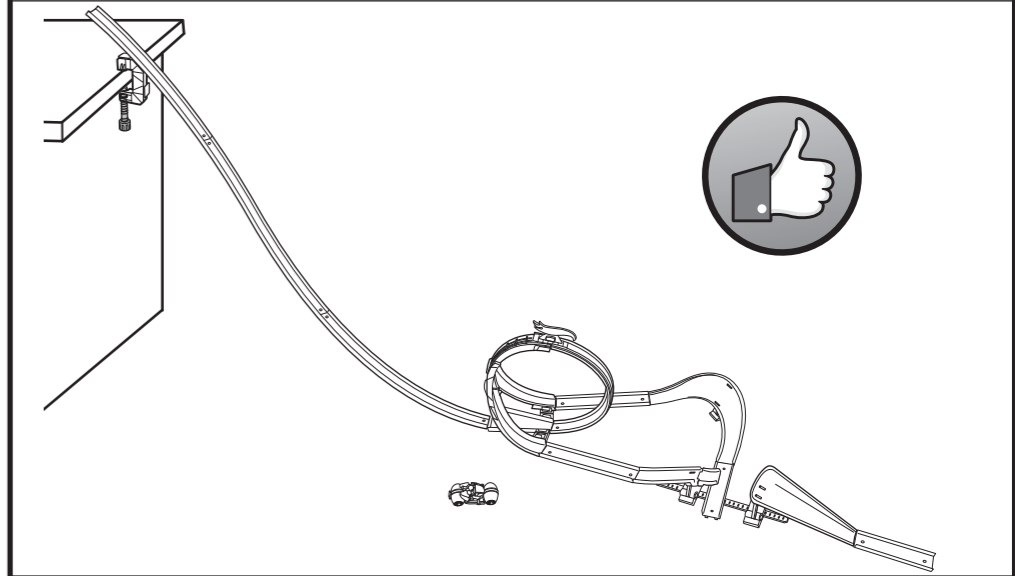
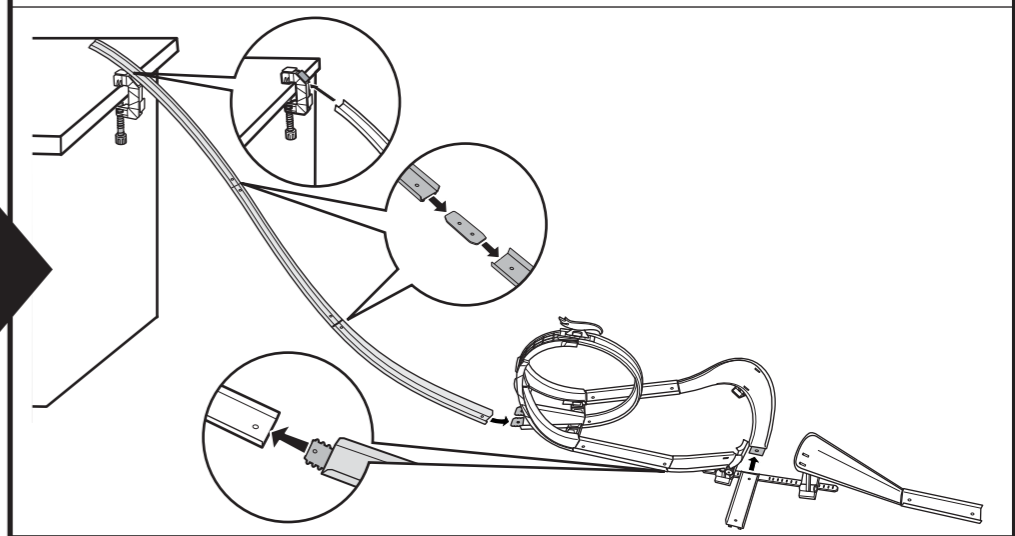
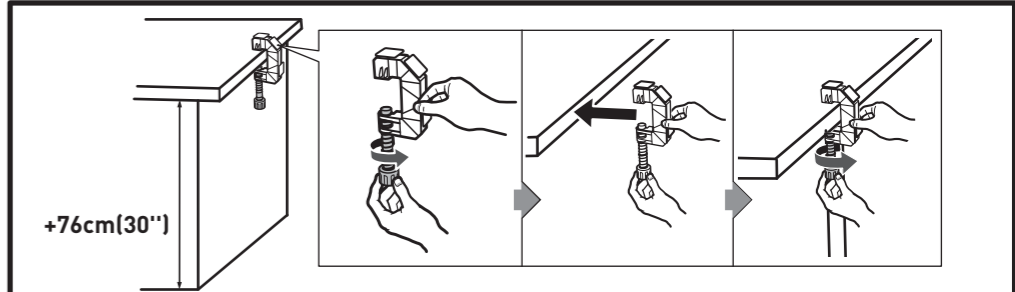
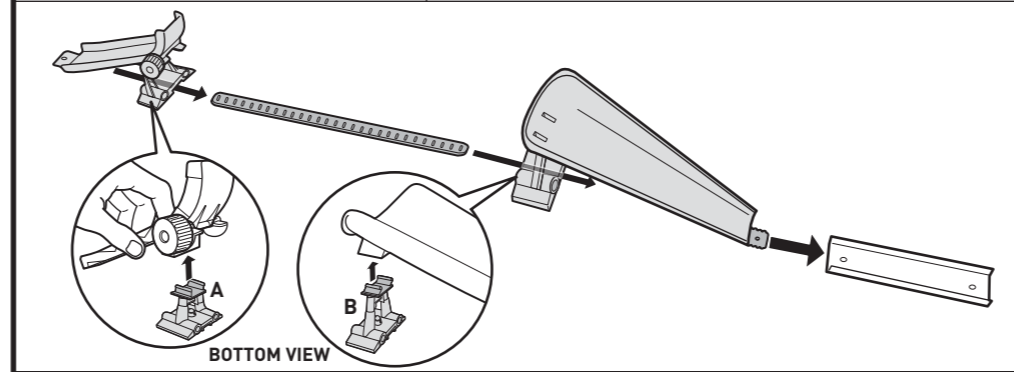
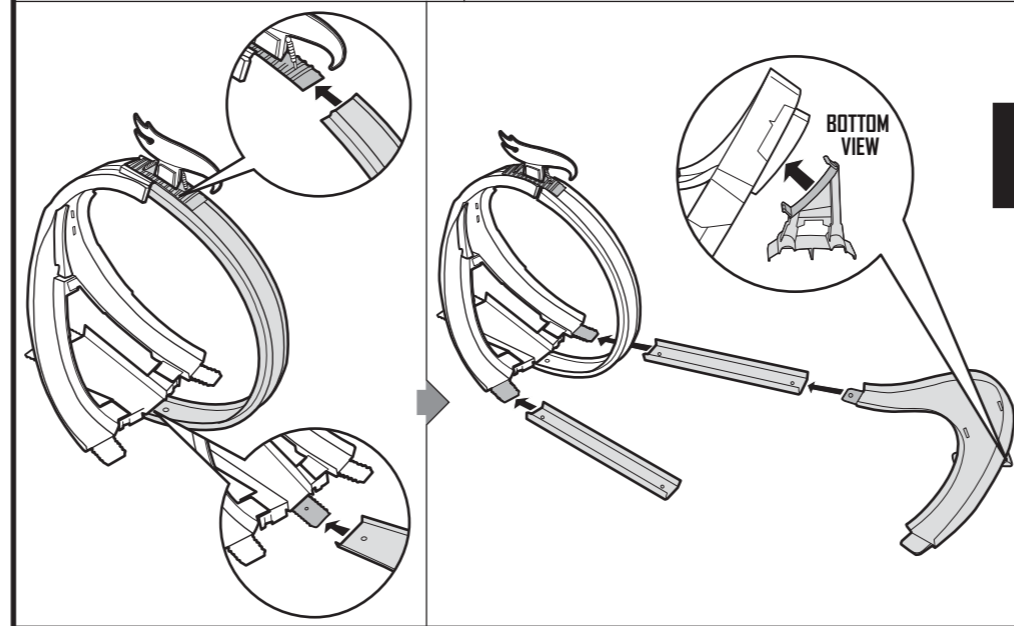
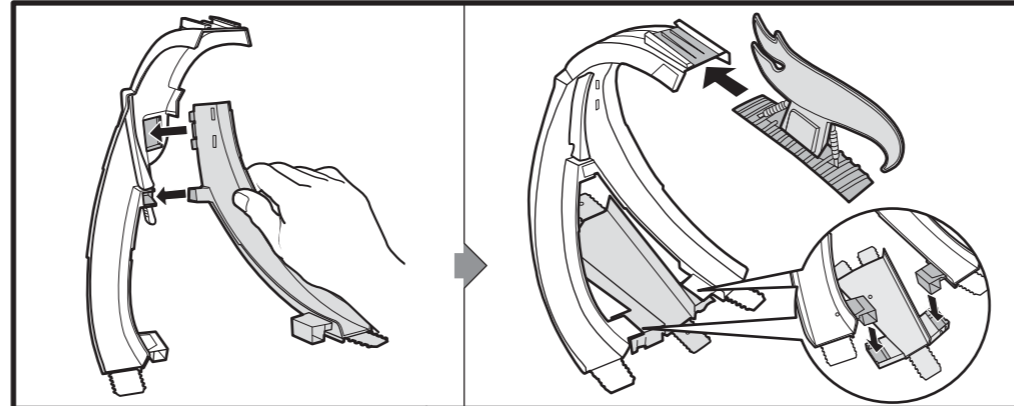


X3

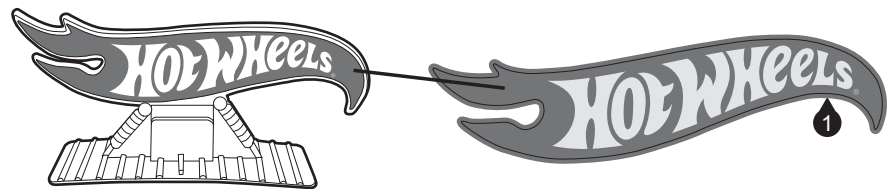


1 ASSEMBLY

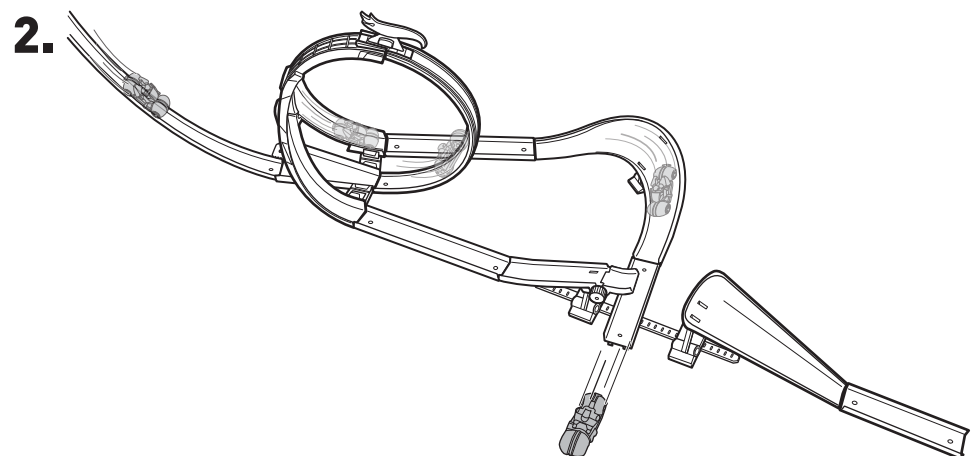
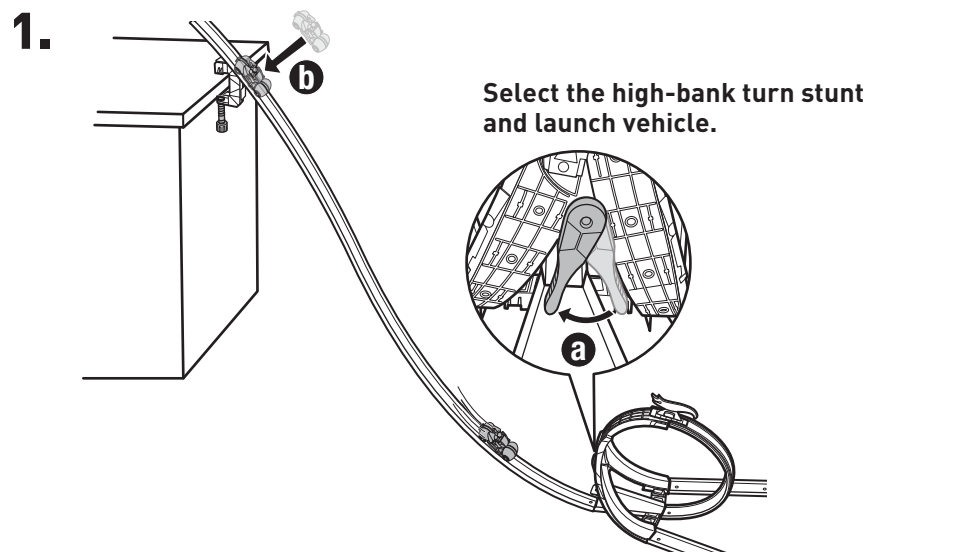
Refer to letter on toy parts and contents page to help with assembly.



2 APPLY LABELS

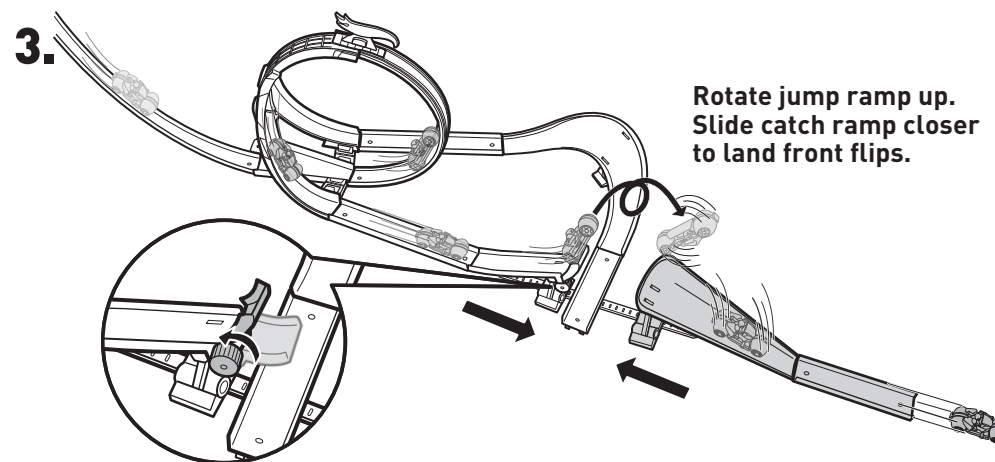
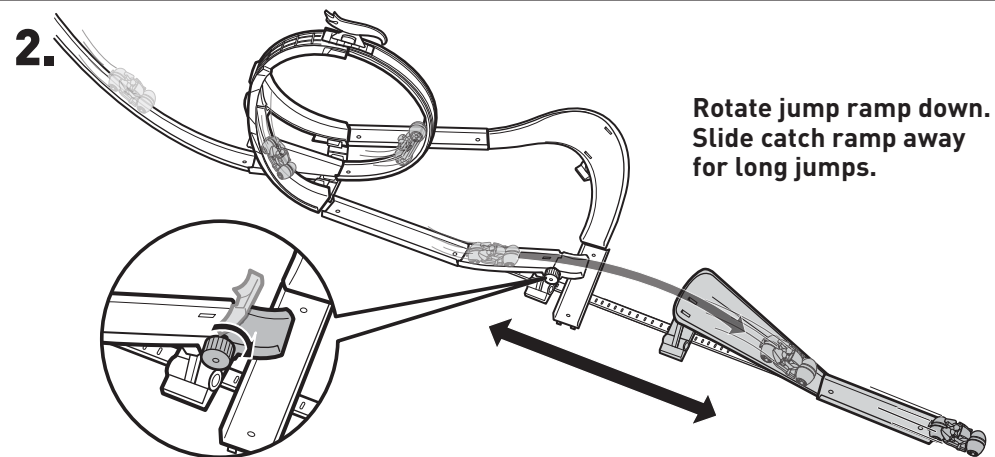
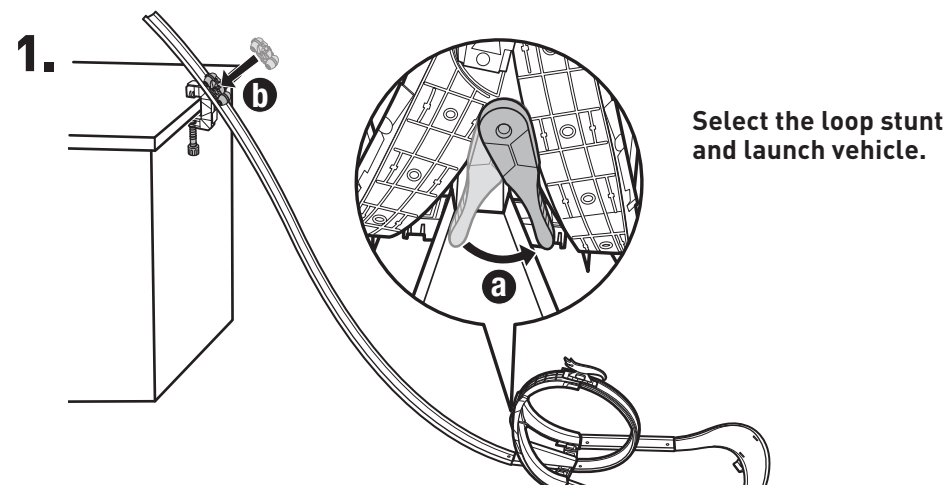


3 TO PLAY (A)

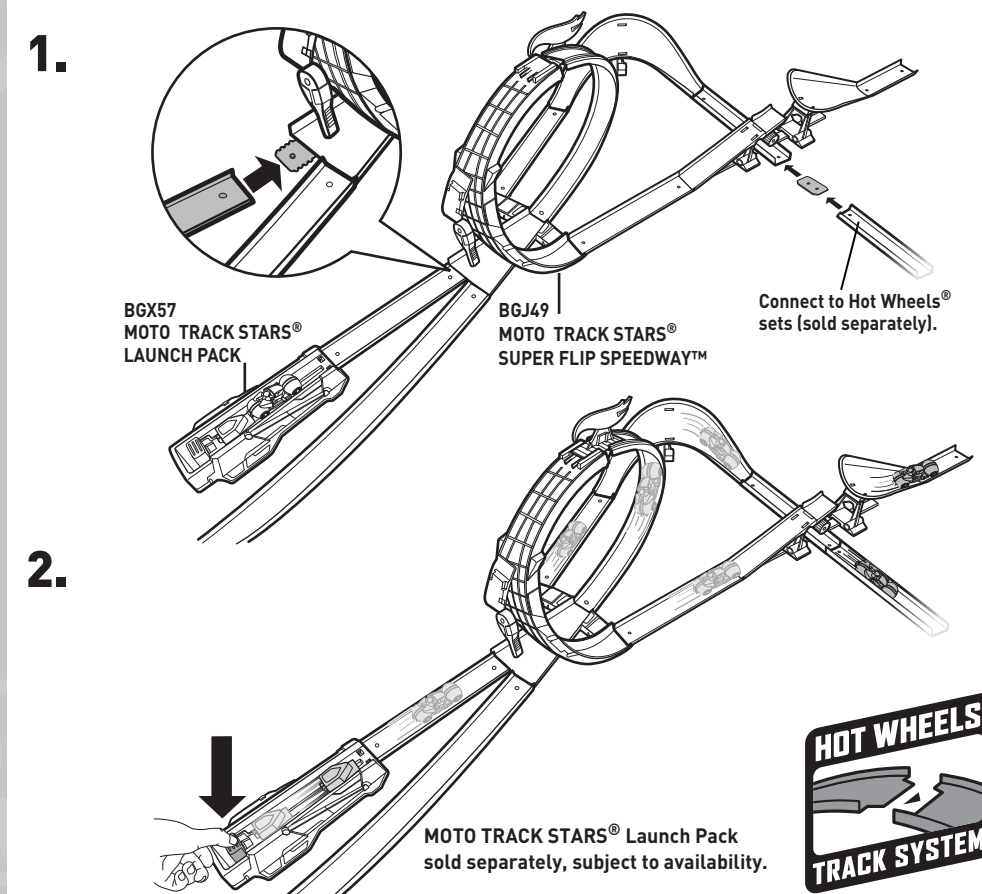


Not for use with some Hot Wheels® vehicles.

4 TO PLAY (B)



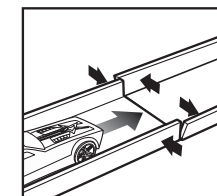
5 MORE WAYS TO PLAY



TROUBLESHOOTING

Q. My cars keep crashing on the tracks for no reason. What is the problem?

A. Clear all obstructions on the tracks. Adjust track side walls at connection points as shown.



Q. My car keeps slowing down by itself on the tracks.

A. Lint may collect around your car's axles. This may cause the car to run slowly. Use tweezers or a toothpick to remove lint.

