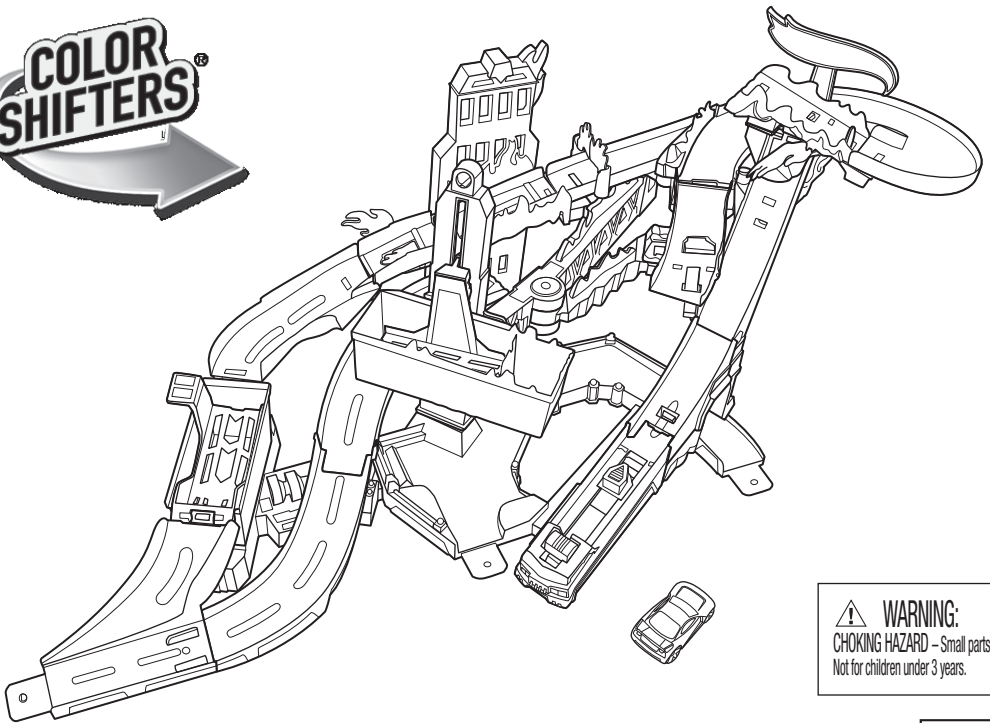




CITY FLAME FIGHTERS



WARNING:
CHOKING HAZARD - Small parts.
Not for children under 3 years.

4+

service.mattel.com
HOTWHEELS.COM

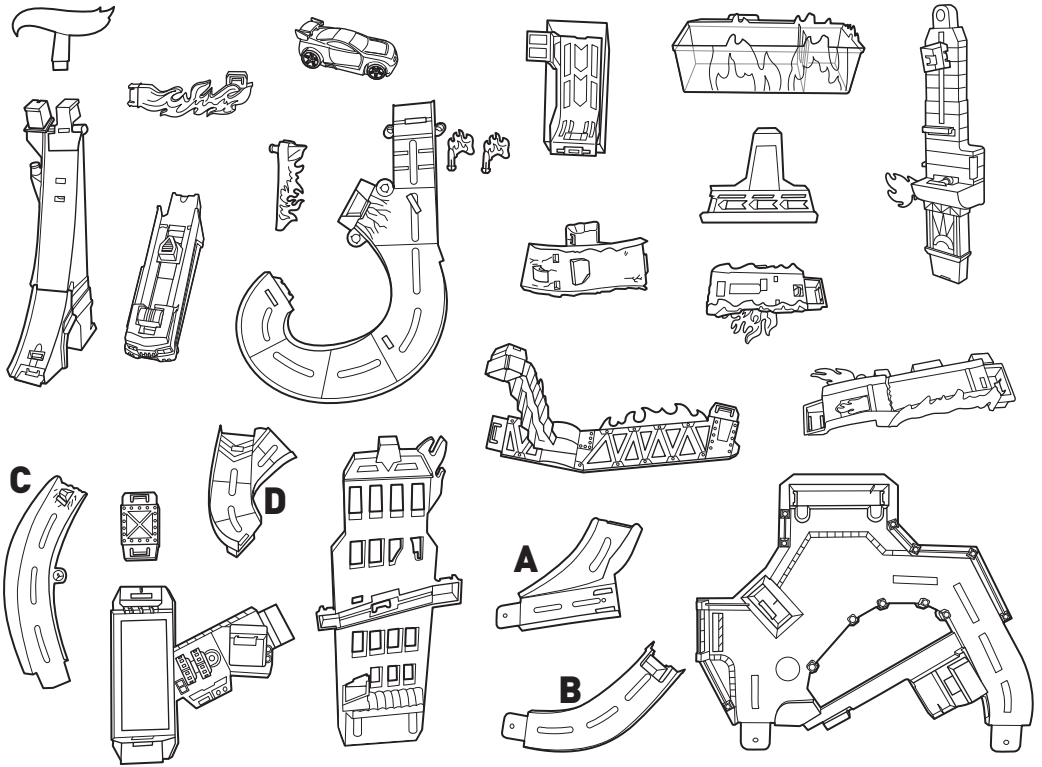
- Color change will last longer if you do not expose this toy to intense heat or direct sunlight for prolonged periods of time.
- Do not immerse set in water. Drain, rinse, clean and dry all items thoroughly before storing.



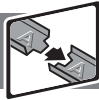
BGK05-0920

PLEASE KEEP THESE INSTRUCTIONS FOR FUTURE REFERENCE AS THEY CONTAIN IMPORTANT INFORMATION.

CONTENTS

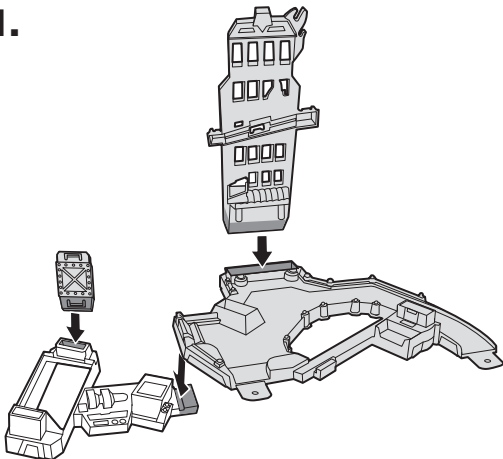


ASSEMBLY

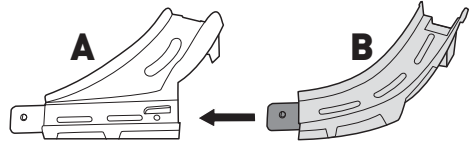


Refer to letter on toy parts and this page to help with assembly.

1.

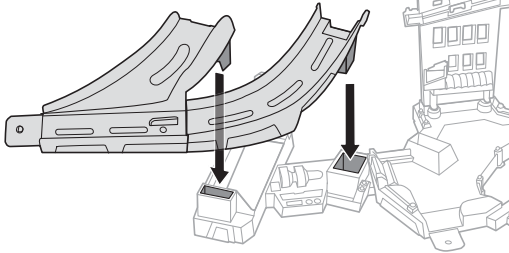


2.

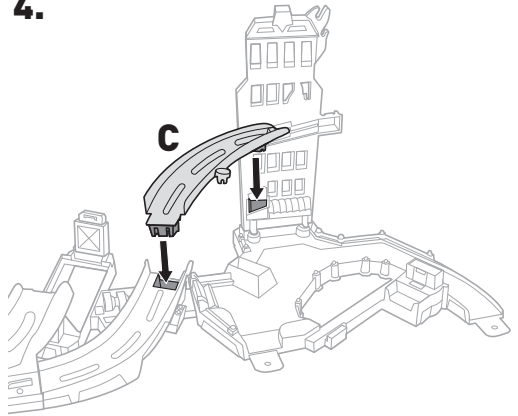


ASSEMBLY (CONTD.)

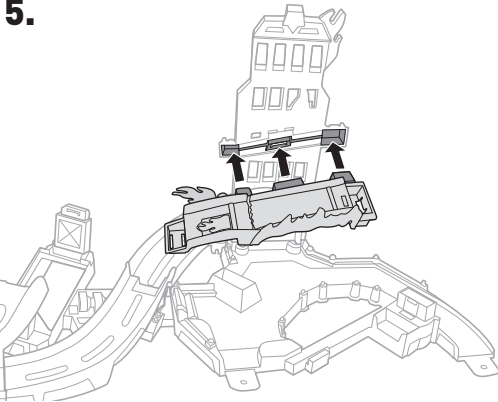
3.



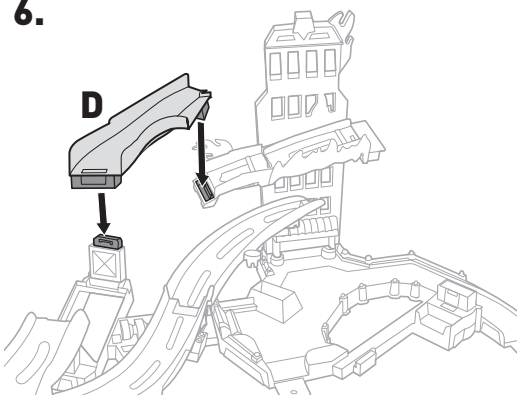
4.



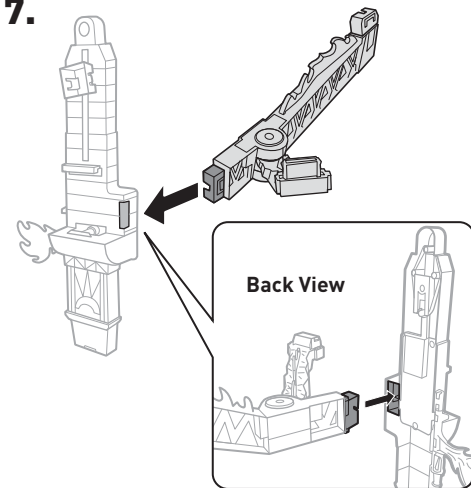
5.



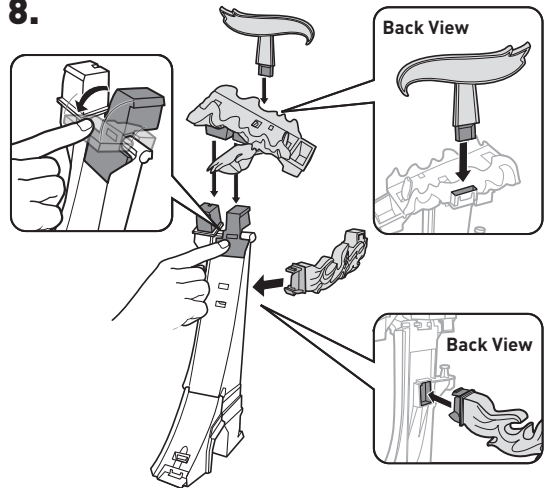
6.



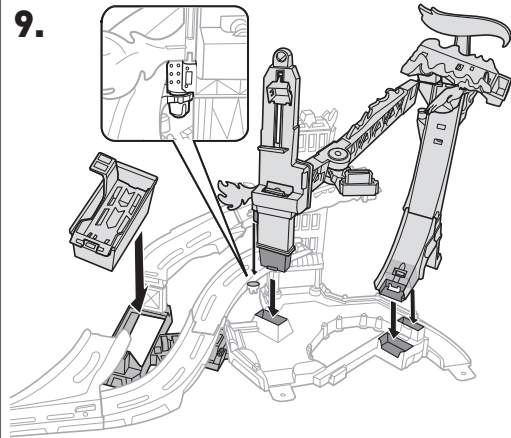
7.



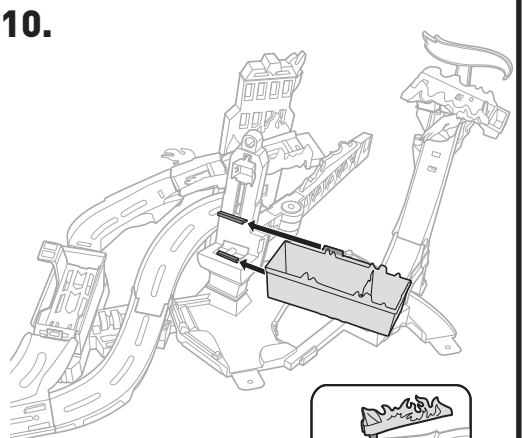
8.



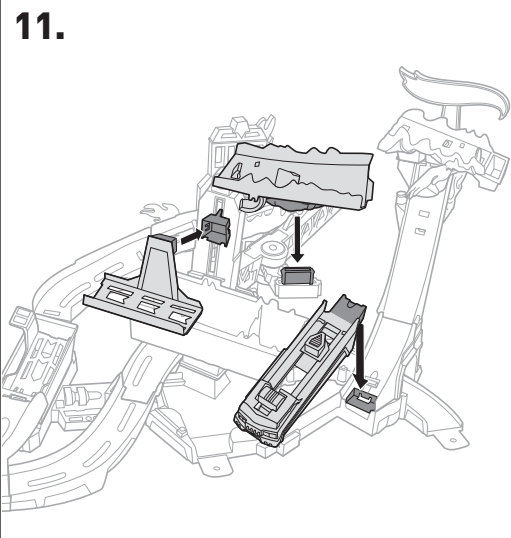
9.



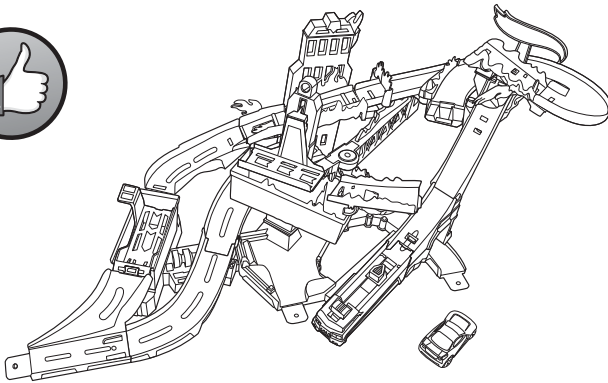
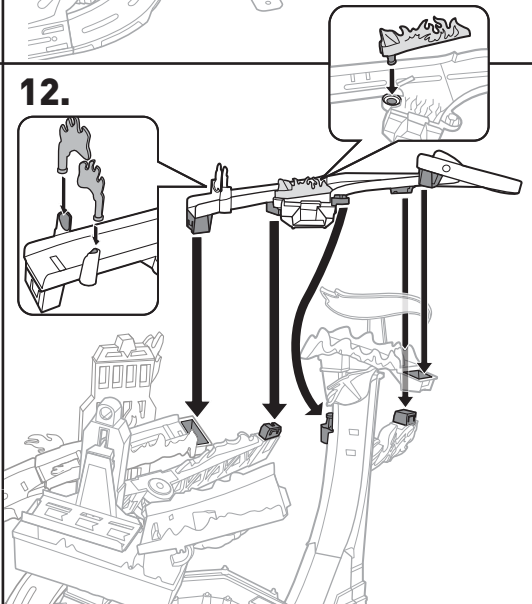
10.



11.

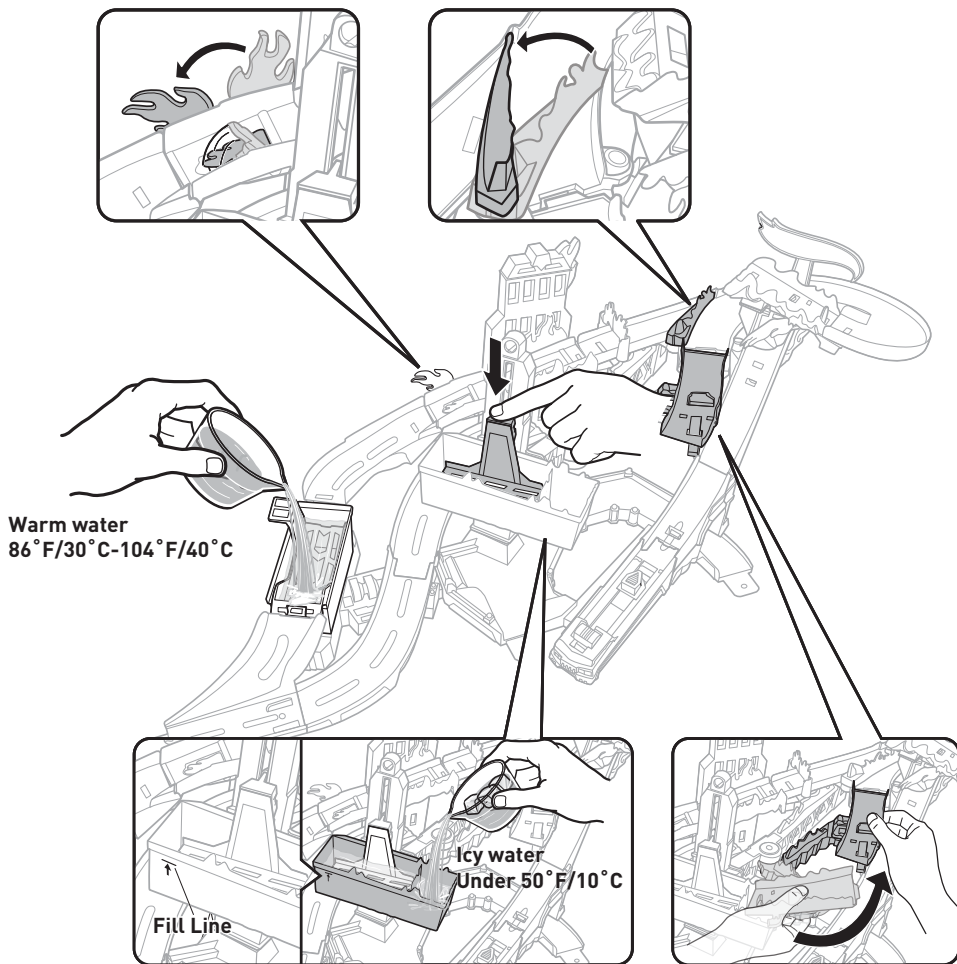


12.



GET READY TO PLAY

- Fill water to top of container for best performance.
- Overfilling of reservoir may cause leakage.
- To avoid burns do not use water that is too hot, above 120°F (48°C).
- Water toys sometimes get messy. Protect play surfaces before use.
- For best performance of color change feature, please use icy water under 50°F/10°C.



FEATURING:

**TWO-COLOR
CHANGE!**

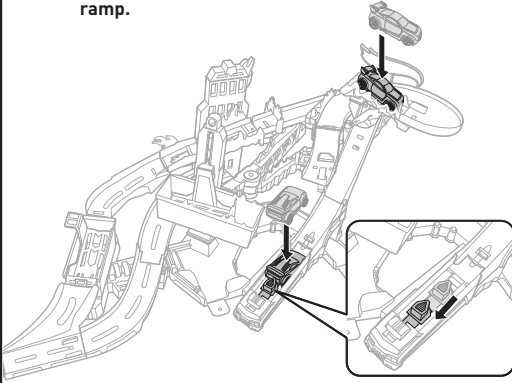


COLD WATER COLOR
Under 50°F/10°C

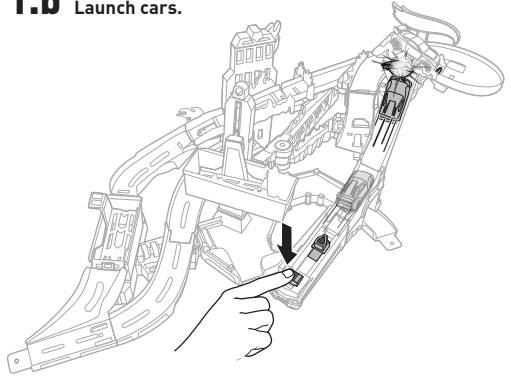
WARM WATER COLOR
Around 86°F/30°C

TO PLAY

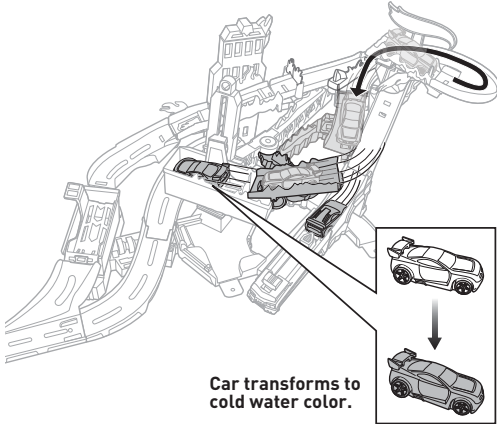
- 1.a** Push launcher back and load rescue car 1 (not included). Load car included at top of ramp.



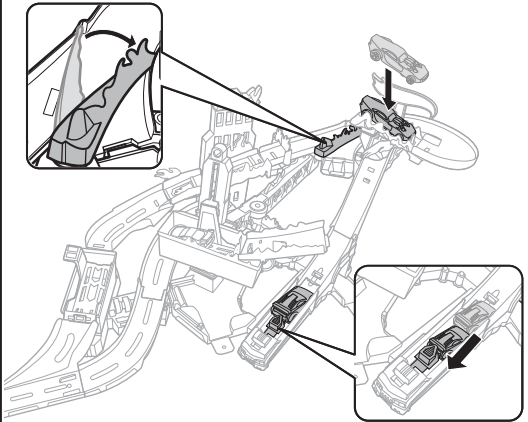
- 1.b** Launch cars.



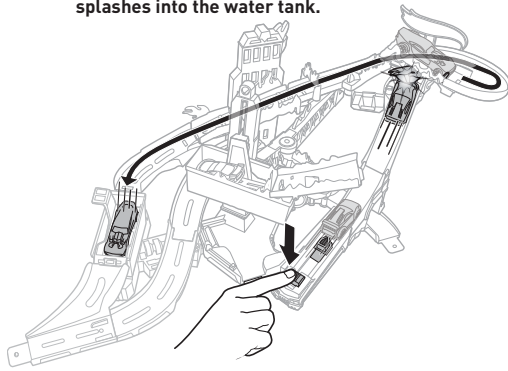
- 1.c** Car gets trapped in the flaming tank.



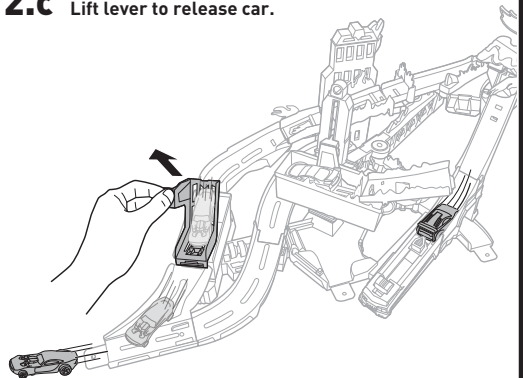
- 2.a** Push launcher back and load rescue car 1 again. Switch the diverter and load rescue car 2 (not included) at top of ramp.



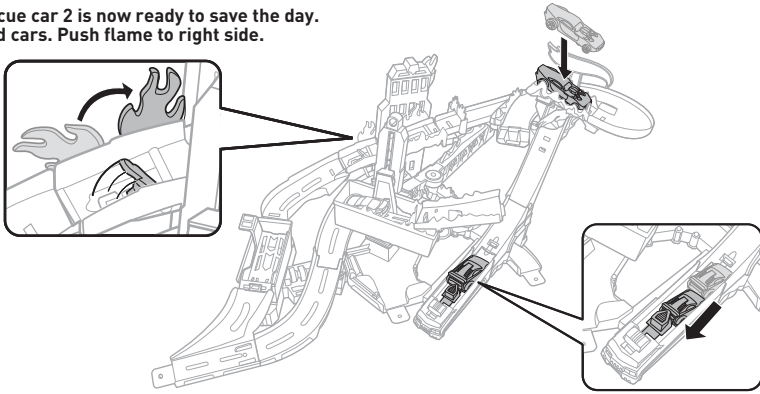
- 2.b** Launch cars. Rescue car 2 checks out the fire and splashes into the water tank.



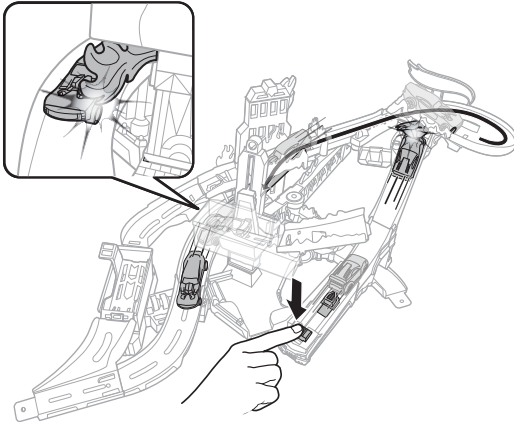
- 2.c** Lift lever to release car.



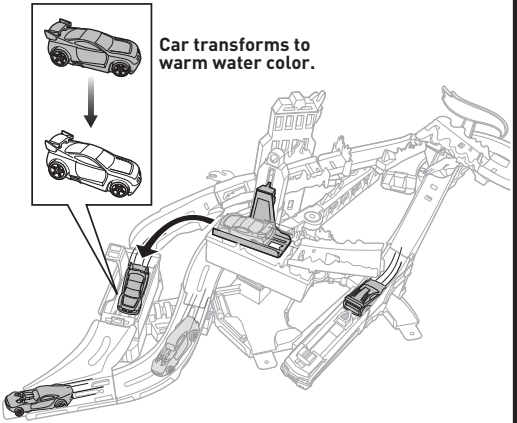
3.a Rescue car 2 is now ready to save the day.
Load cars. Push flame to right side.



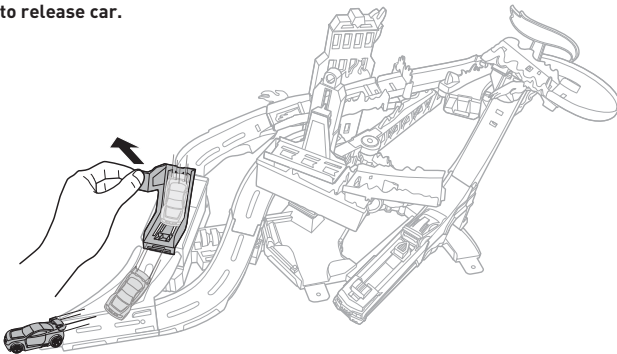
3.b Launch cars.
Rescue car 2 races through the trap door.



3.c Trapped car is freed from the flaming tank.

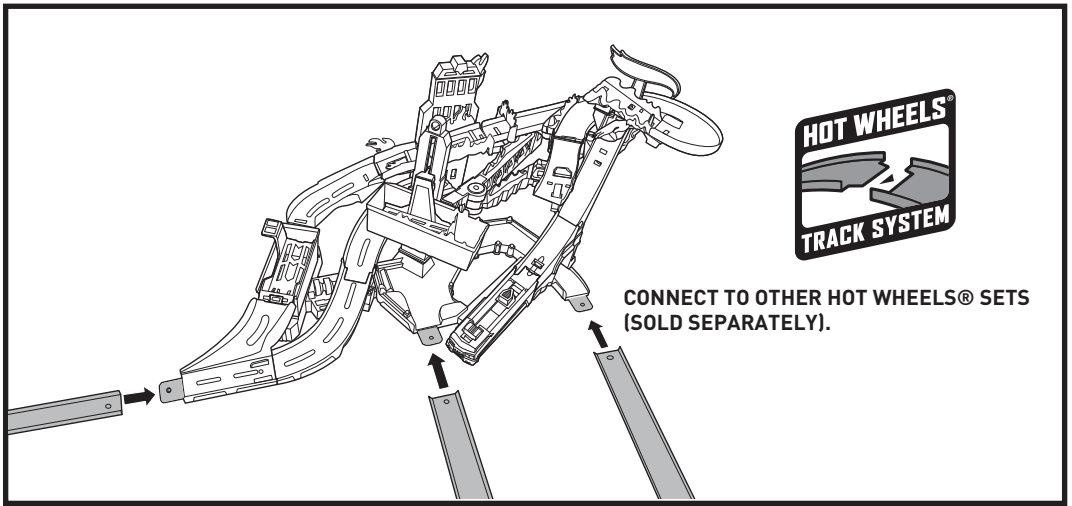


3.d Lift lever to release car.



NOT FOR USE WITH SOME HOT WHEELS® VEHICLES.
INCLUDES ONE VEHICLE, ADDITIONAL VEHICLES SOLD SEPARATELY.

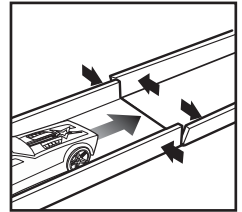
MORE WAYS TO PLAY



PERFORMANCE TIPS

Q. My car keeps crashing on the track for no reason. What is the problem?

A. Clear all obstructions on the track. Adjust track side walls at each connection point.



Q. My car keeps slowing down by itself on the tracks.

A. Lint may collect around your car's axles. This may cause the car to run slowly. Use tweezers or a toothpick to remove lint.

