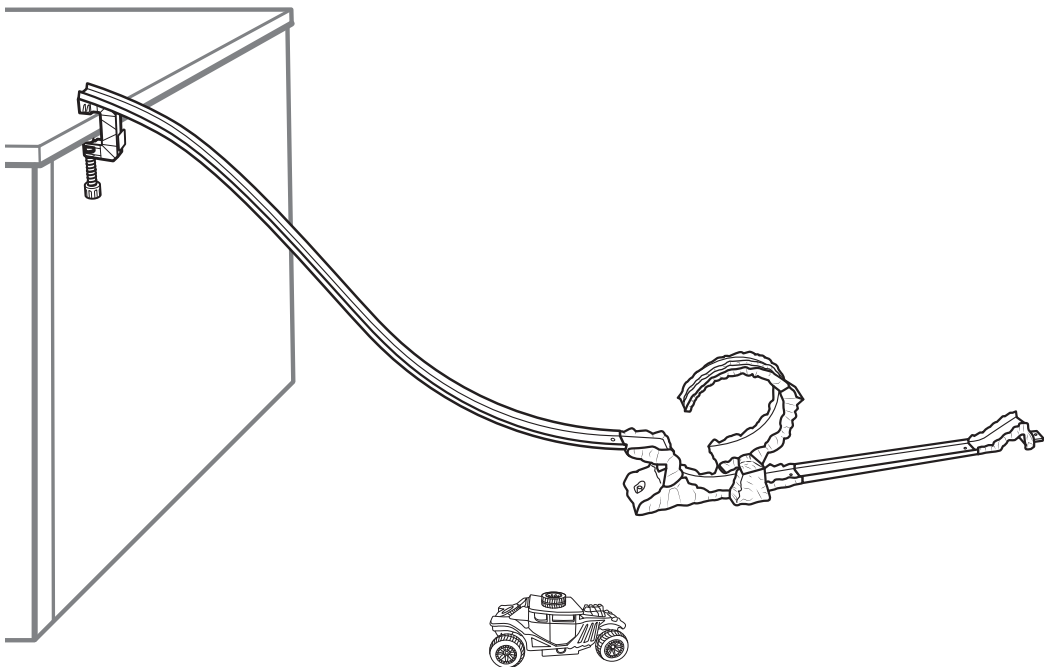




## EXTREME SHOXX™ DESERT LOOP DARE™



4+

service.mattel.com

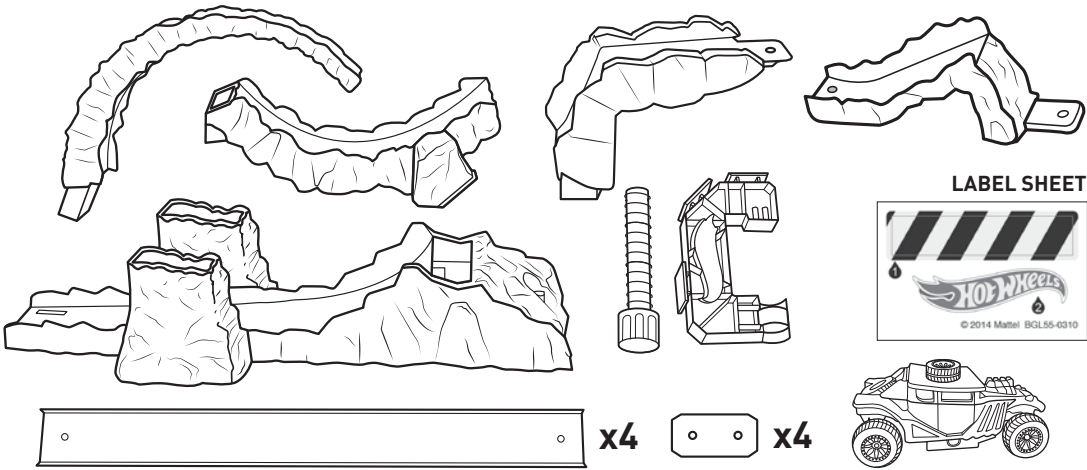
**HOTWHEELS.COM**



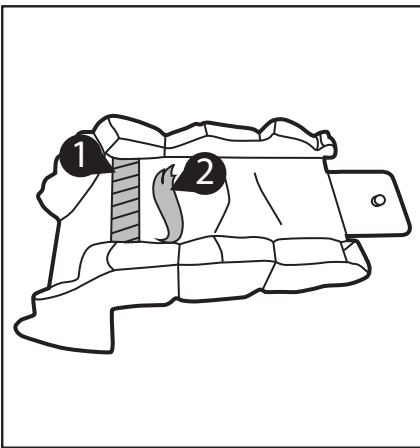
BGL55-0920

PLEASE KEEP THESE INSTRUCTIONS FOR FUTURE  
REFERENCE AS THEY CONTAIN IMPORTANT INFORMATION.

# CONTENTS

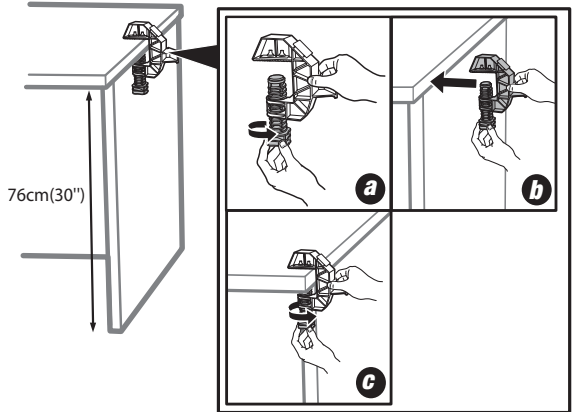


## APPLY LABELS

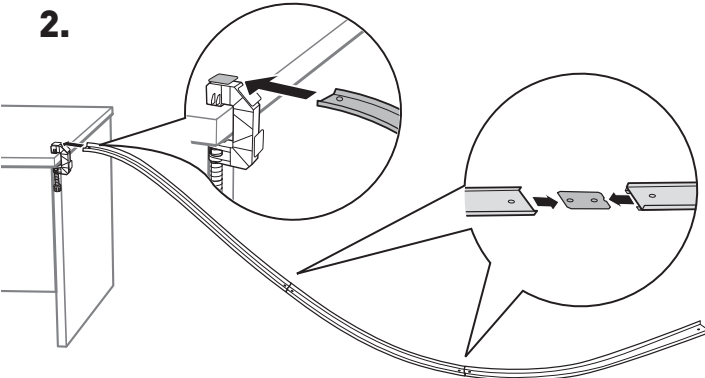


## ASSEMBLY

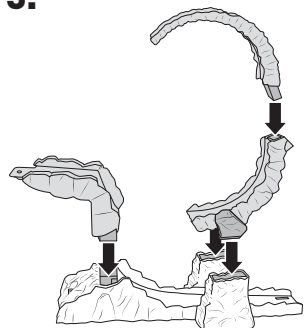
### 1. ATTACH CLAMP TO TABLETOP.



### 2.

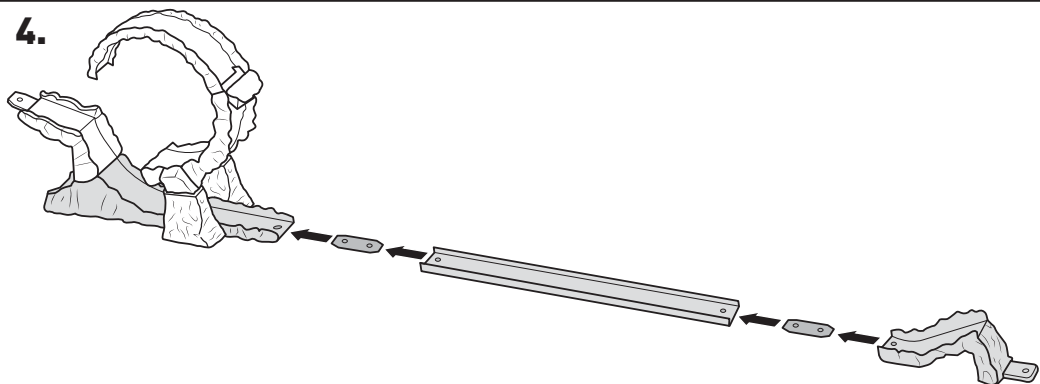


### 3.

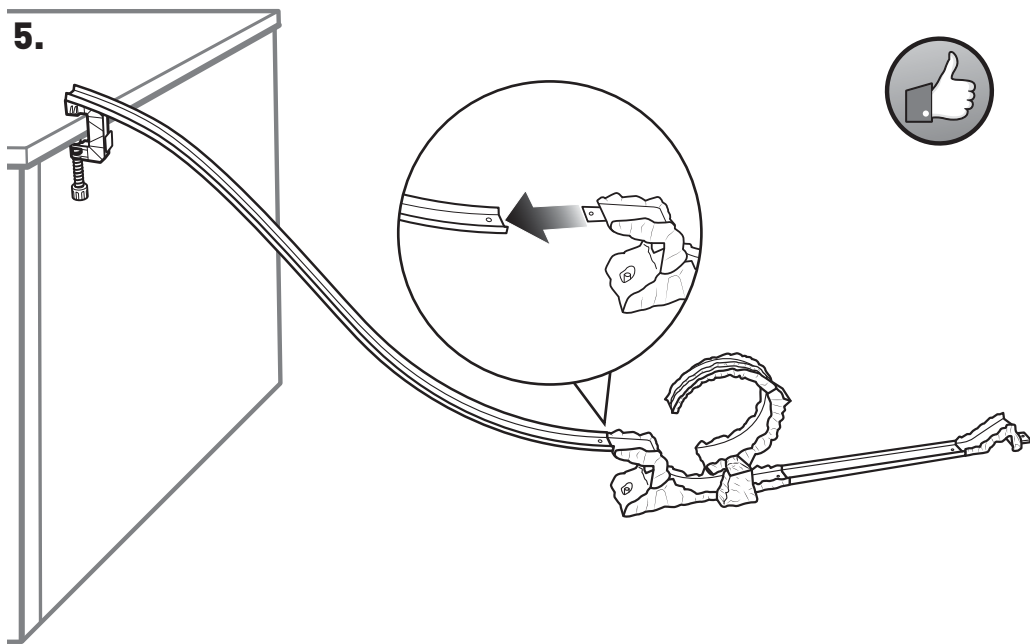


# ASSEMBLY (CONTD.)

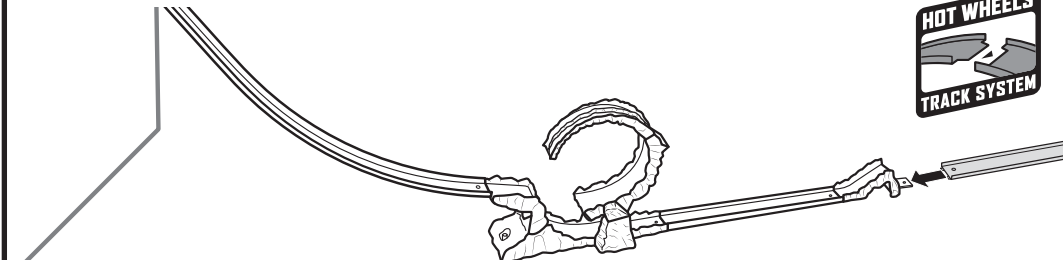
4.



5.



6. CONNECT TO OTHER HOT WHEELS® SETS (SOLD SEPARATELY).

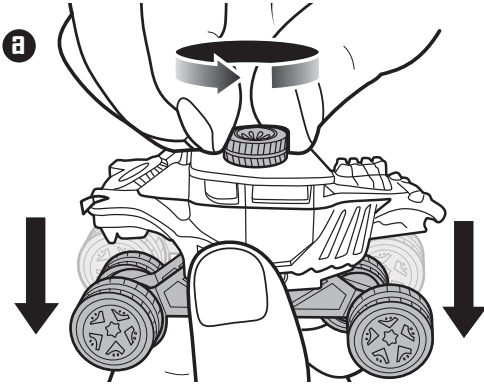


NOT FOR USE WITH SOME HOT WHEELS® VEHICLES.

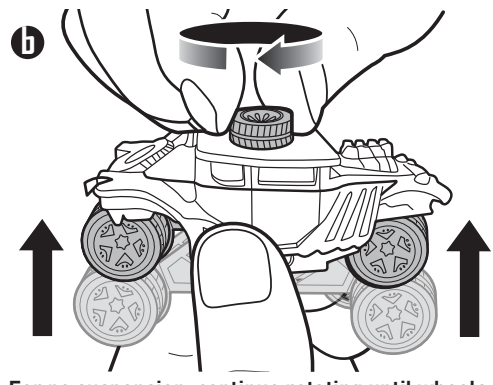
# TO PLAY

## 1. ADJUST YOUR VEHICLE'S SUSPENSION TO FIND THE BEST PERFORMANCE FOR THIS SET.

Rotate dial counter-clockwise for more suspension.



Rotate dial clockwise for less suspension.



For no suspension, continue rotating until wheels are all the way up underneath car body.

## 2. LAUNCH CAR DOWN THE DROP!

