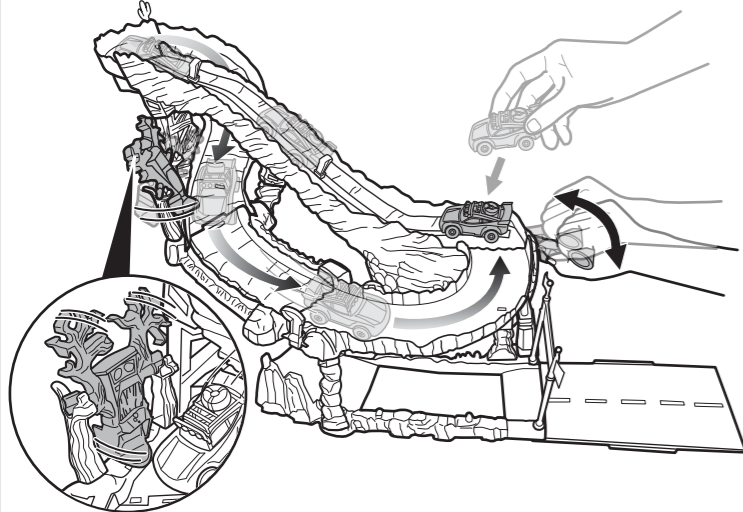


# 3 / LET'S RACE

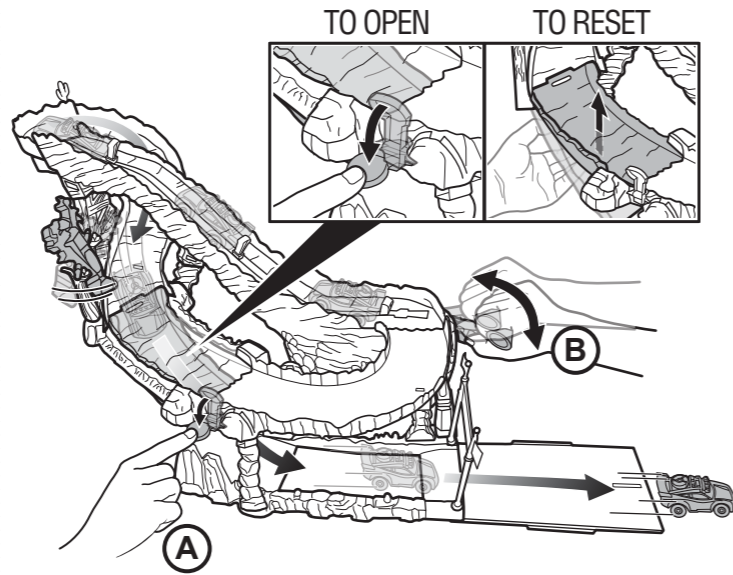
## SINGLE CAR MODE

- 1 Load car. Shift handle up and down repeatedly to climb hill and launch car!



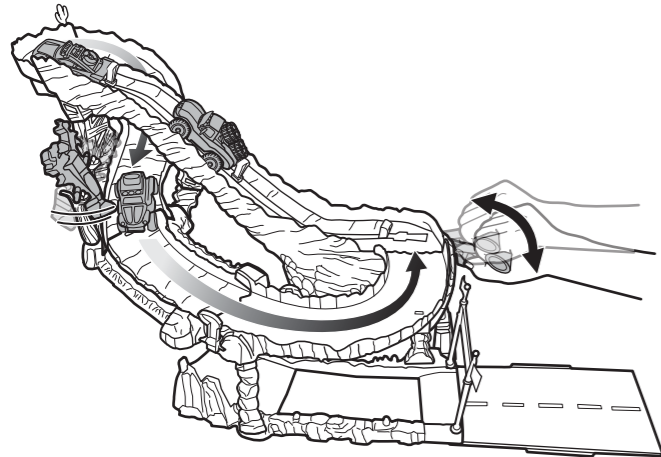
Beware of the "car-cass".

- 2 Press tab to open trap door and race to the finish line!



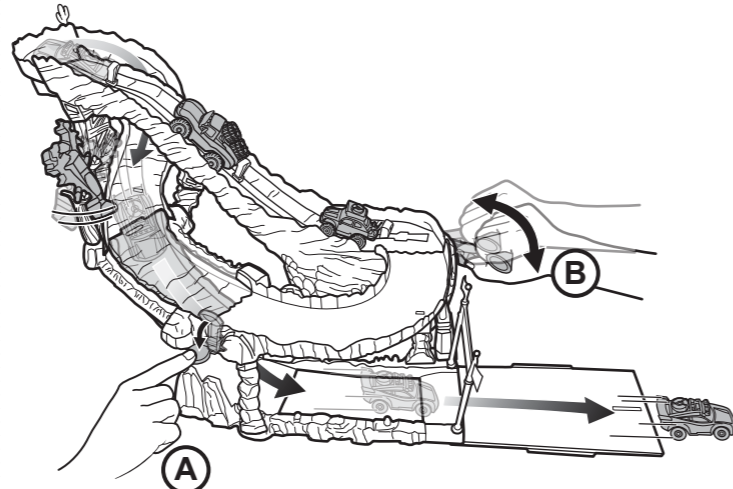
## MULTI-CAR MODE

- 1 Load cars (3 maximum). Shift handle up and down repeatedly to climb hill and start the race!



One vehicle included. Others shown sold separately, subject to availability.

- 2 Press tab to open trap door. First one to cross the finish line wins!

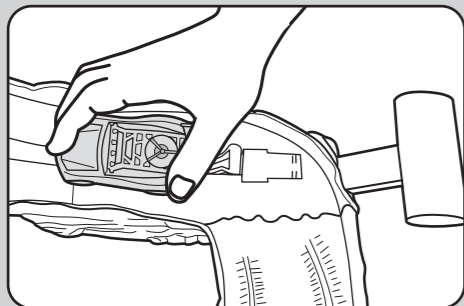


Not for use with some Cars vehicles.

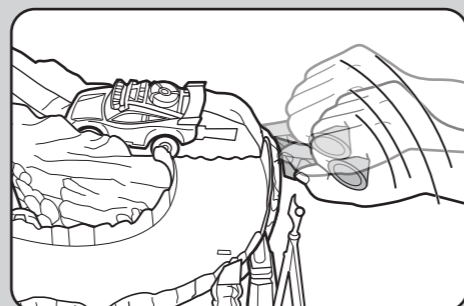
# 4 / PERFORMANCE TIPS

### For best performance:

A. Make sure the back of the vehicle is flush with the launcher.



B. Do not shift the handle down too hard. This will cause the car to fly off the track.



# ACTION SHIFTERS™ OFF-ROAD RALLY RACE INSTRUCTIONS

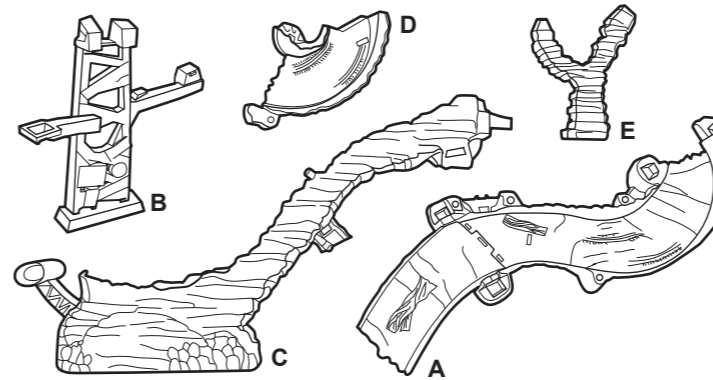
4+

## CONTENTS

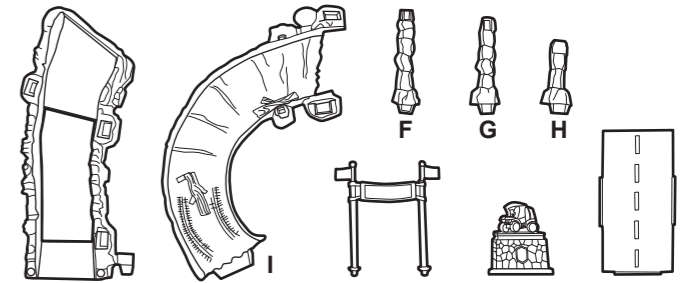


REFER TO LETTERS MOLDED ON TOY PARTS AND THROUGHOUT THE INSTRUCTIONS TO HELP WITH ASSEMBLY.

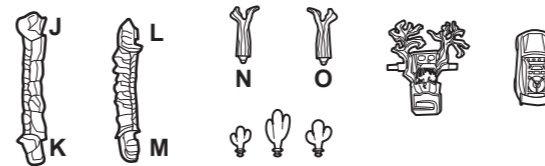
### Uphill Section



### Downhill Section



### Accessories



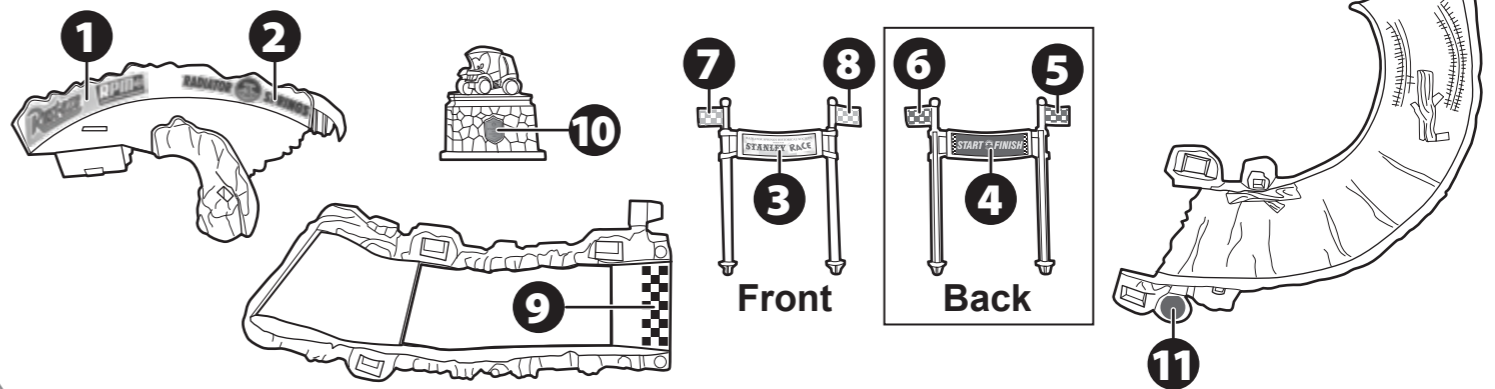
### Label Sheet



**WARNING:**  
CHOKING HAZARD - Small parts.  
Not for children under 3 years.

# 1 / APPLY LABELS

Helpful Hint: Apply labels before assembly by number as indicated.



©2014 Mattel. All Rights Reserved.

Mattel, Inc., 636 Girard Avenue, East Aurora, NY 14052, U.S.A. Consumer Relations 1-800-524-8697. Mattel U.K. Ltd., Vanwall Business Park, Maidenhead SL6 4UB. Helpline 01628 500303. Mattel Australia Pty., Ltd., Richmond, Victoria. 3121. Consumer Advisory Service - 1300 135 312. Mattel East Asia Ltd., Room 503-09, North Tower, World Finance Centre, Harbour City, Tsimshatsui, HK, China. Diimport & Diedarkan Oleh: Mattel SEA Ptd Ltd.(993532-P) Lot 13.5, 13th Floor, Menara Lien Hoe, Persiaran Tropicana Golf Country Resort, 47410 PJ. Malaysia. Tel:03-78803817, Fax:03-78803867.

© Volkswagen AG

© Disney/Pixar

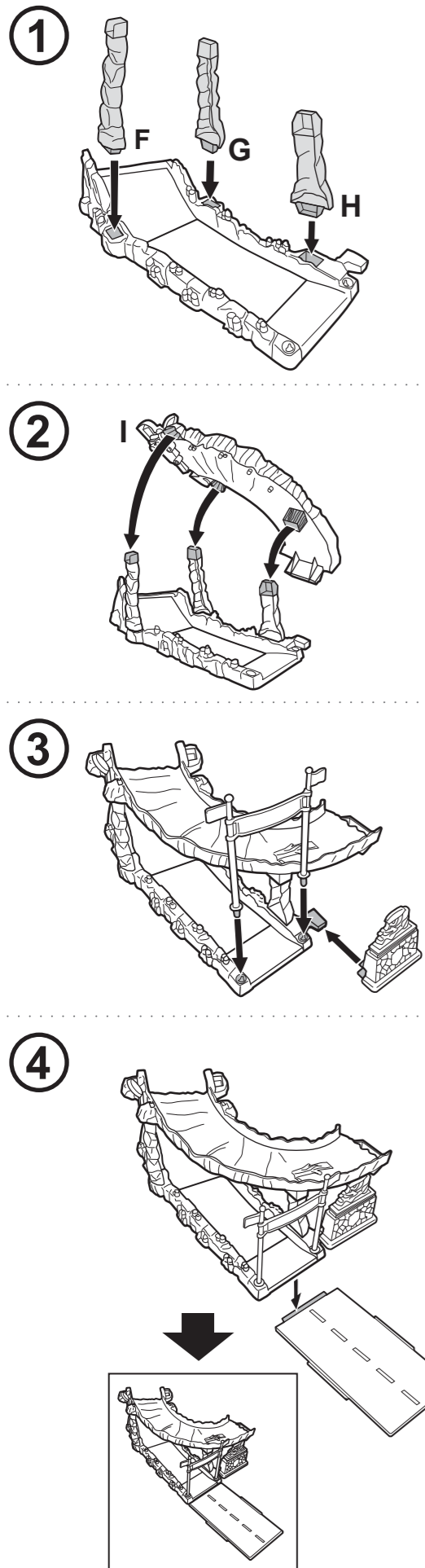
www.disney.com/cars

service.mattel.com

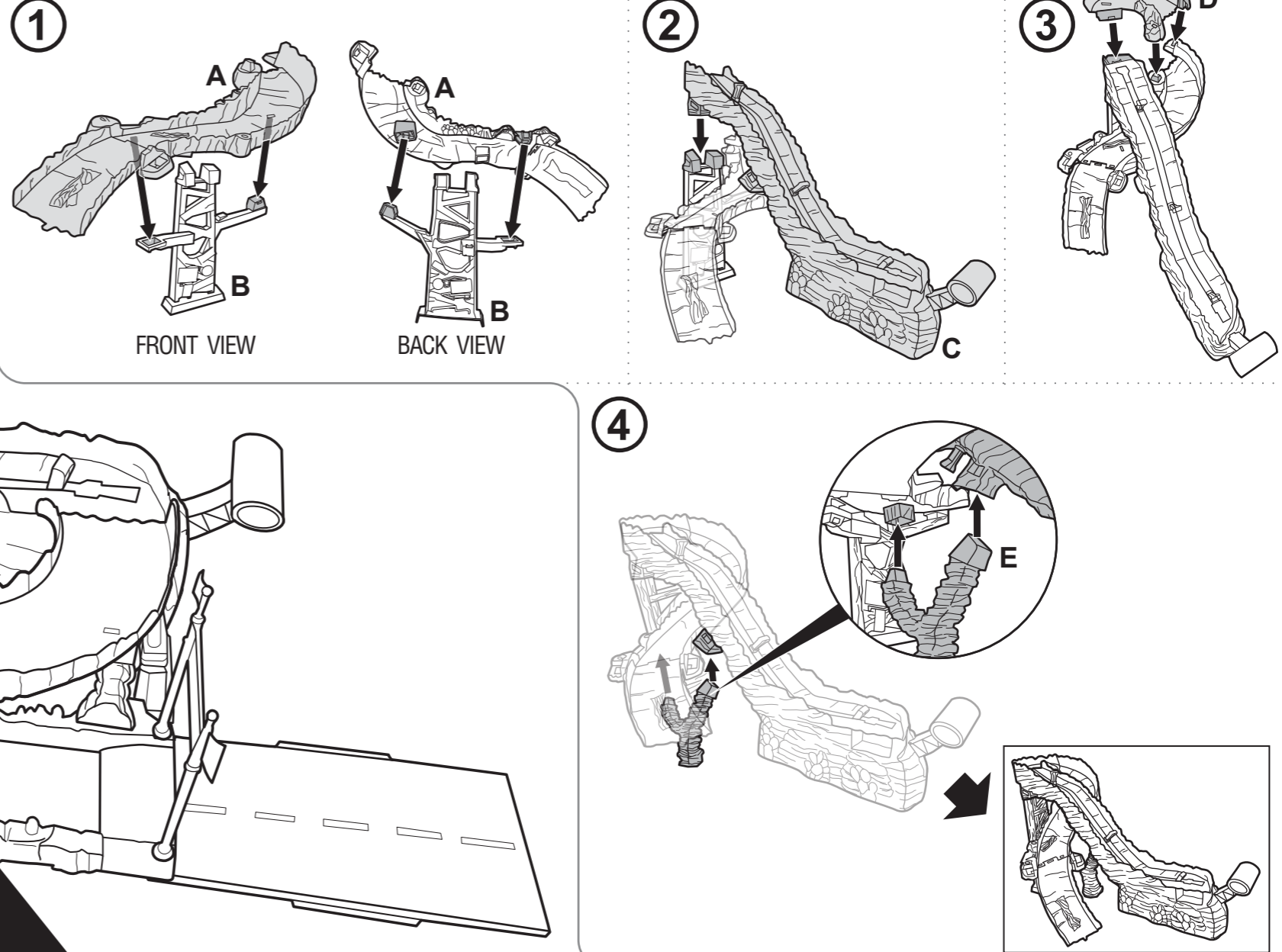
BGP24-0920



**Downhill Section**



**Uphill Section**



**Combine to complete assembly**

