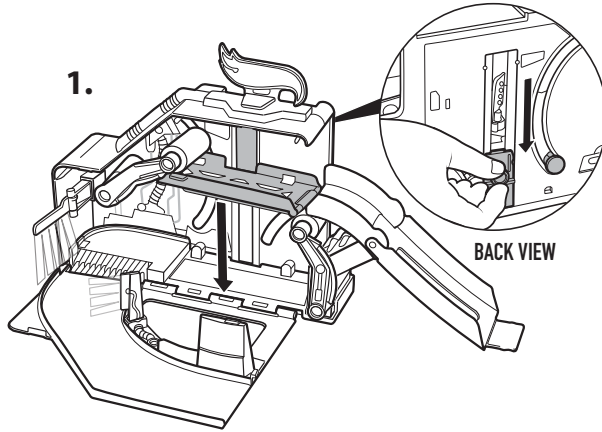
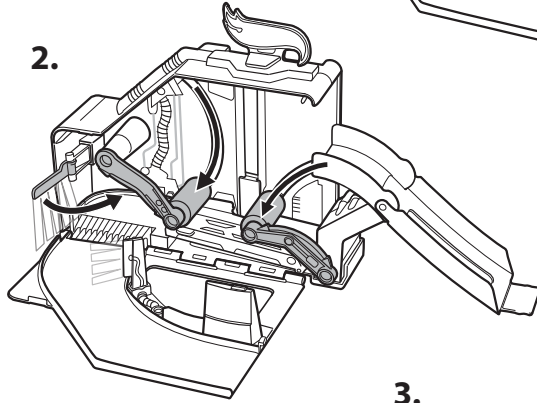


5 STORAGE

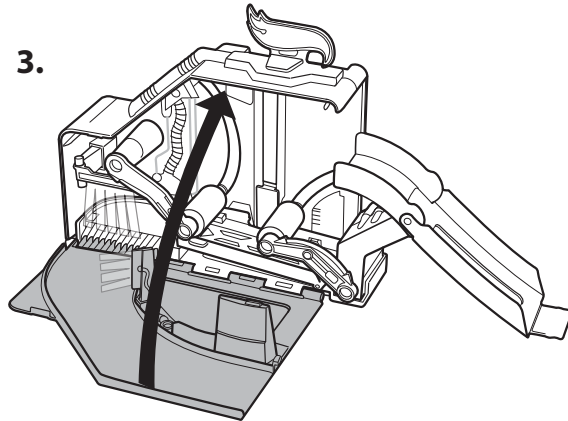
1.



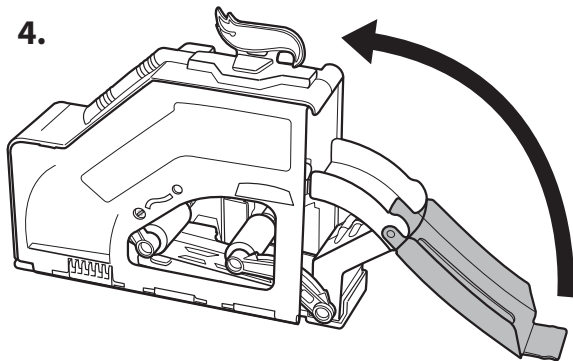
2.



3.



4.



TURBO WASH

INSTRUCTIONS

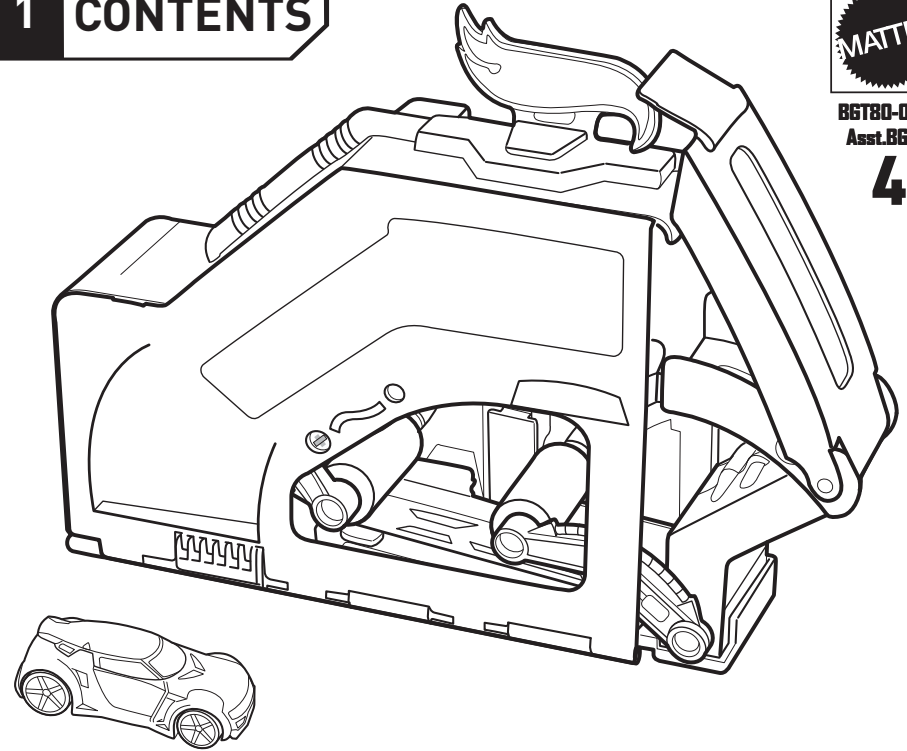
Please keep these instructions for future reference as they contain important information.

1 CONTENTS



86780-0920
Asst.86H94

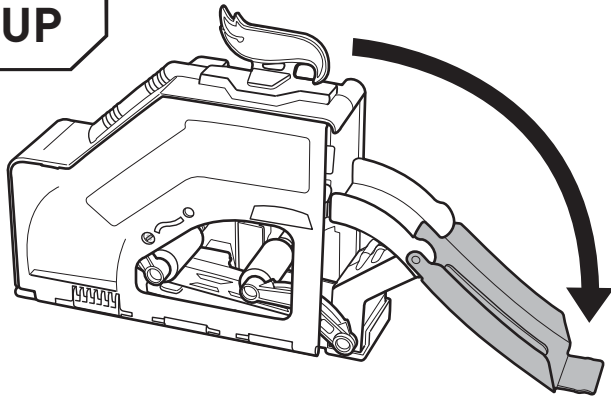
4+



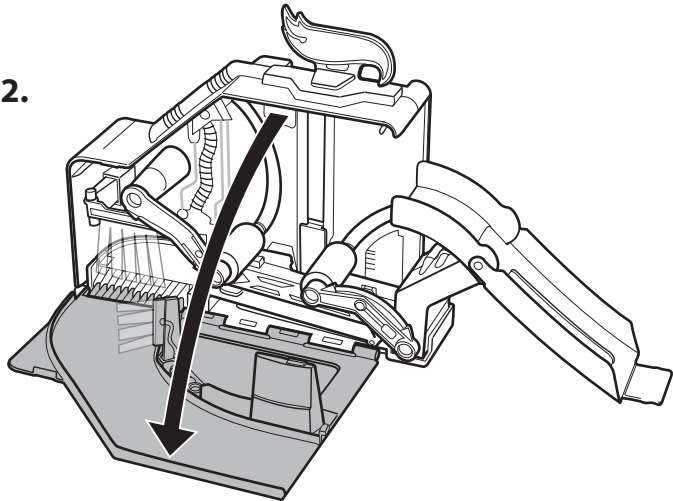
©2013 Mattel. All Rights Reserved. Mattel, Inc., 636 Girard Avenue, East Aurora, NY 14052, U.S.A. Consumer Relations 1-800-524-8697. Mattel U.K. Ltd., Vanwall Business Park, Maidenhead SL6 4UB. Helpline 01628 500303. Mattel Australia Pty., Ltd., Richmond, Victoria. 3121. Consumer Advisory Service - 1300 135 312. Mattel East Asia Ltd., Room 503-09, North Tower, World Finance Centre, Harbour City, Tsimshatsui, HK, China. Diimport & Diedarkan Oleh: Mattel SEA Ptd Ltd. (993532-P) Lot 13.5, 13th Floor, Menara Lien Hoe, Persiaran Tropicana Golf Country Resort, 47410 PJ. Malaysia. Tel:03-78803817, Fax:03-78803867. service.mattel.com

2 SET UP

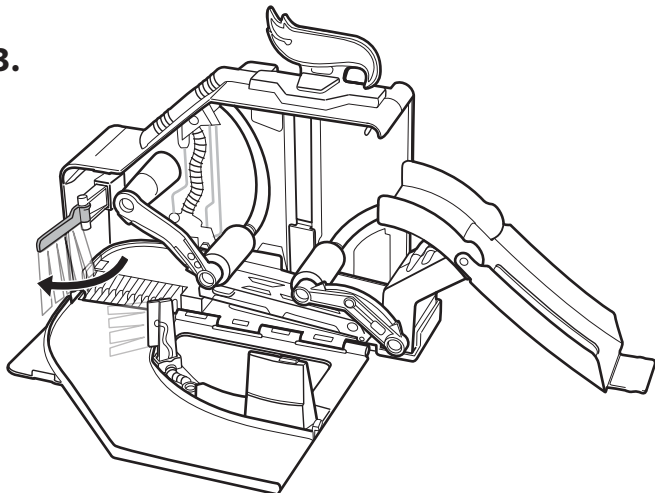
1.



2.

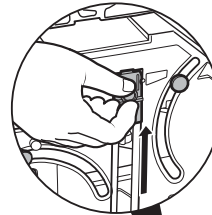
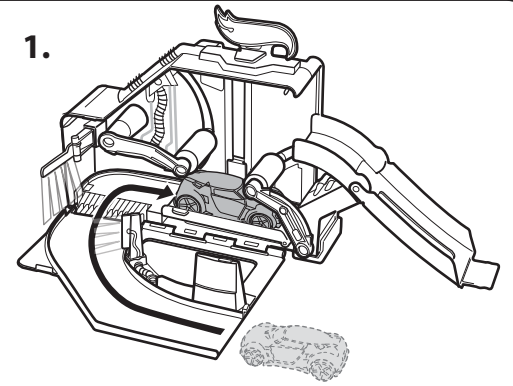


3.



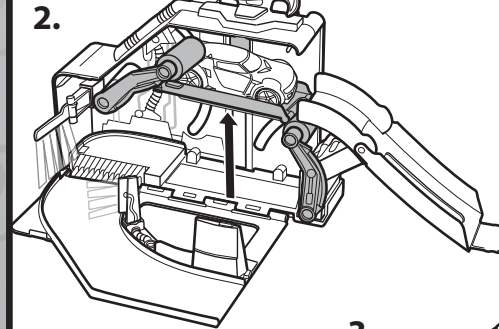
3 TO PLAY

1.

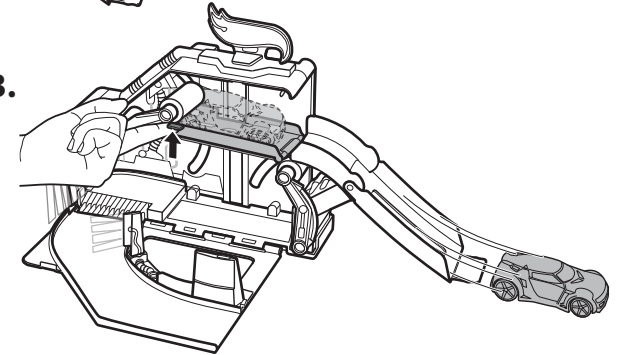


BACK VIEW

2.



3.



NOT FOR USE WITH SOME
HOT WHEELS® VEHICLES.

4 CONNECT

Connect to Hot Wheels® sets (sold separately).

