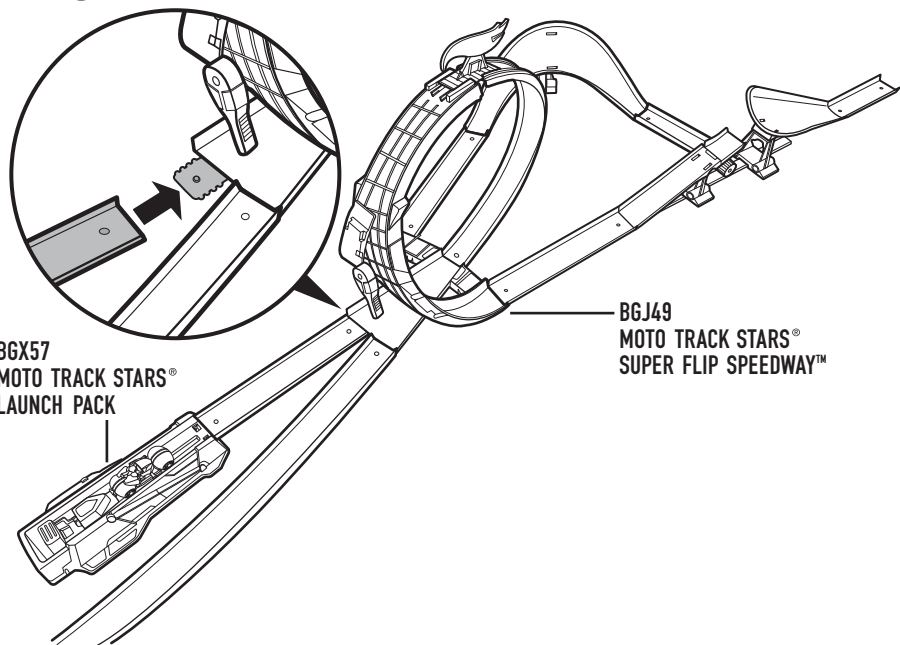
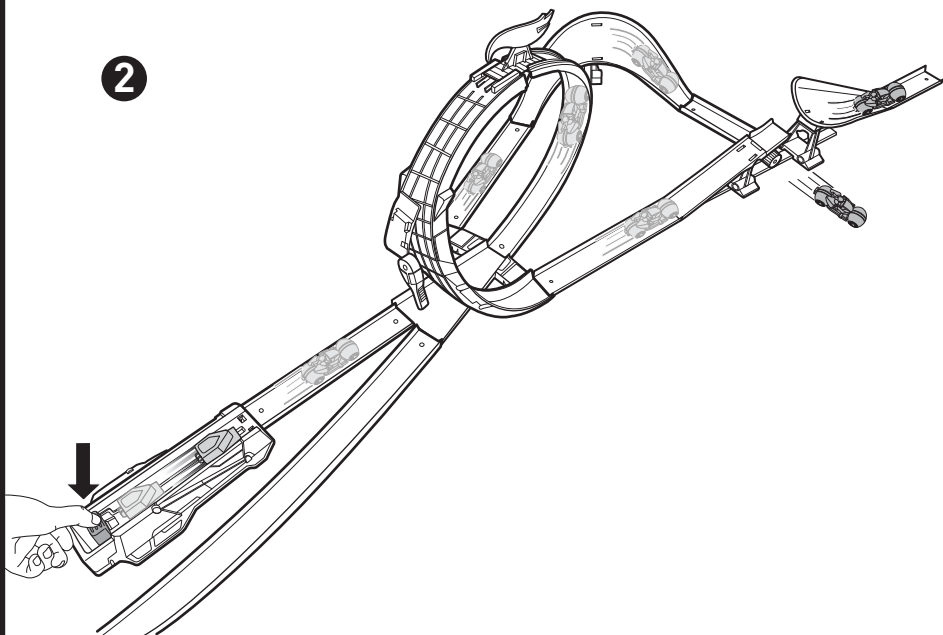


3 COLLECT AND CONNECT

1



2



Super Flip Speedway™ sold separately, subject to availability.



MOTO TRACK STARS LAUNCH PACK

INSTRUCTIONS

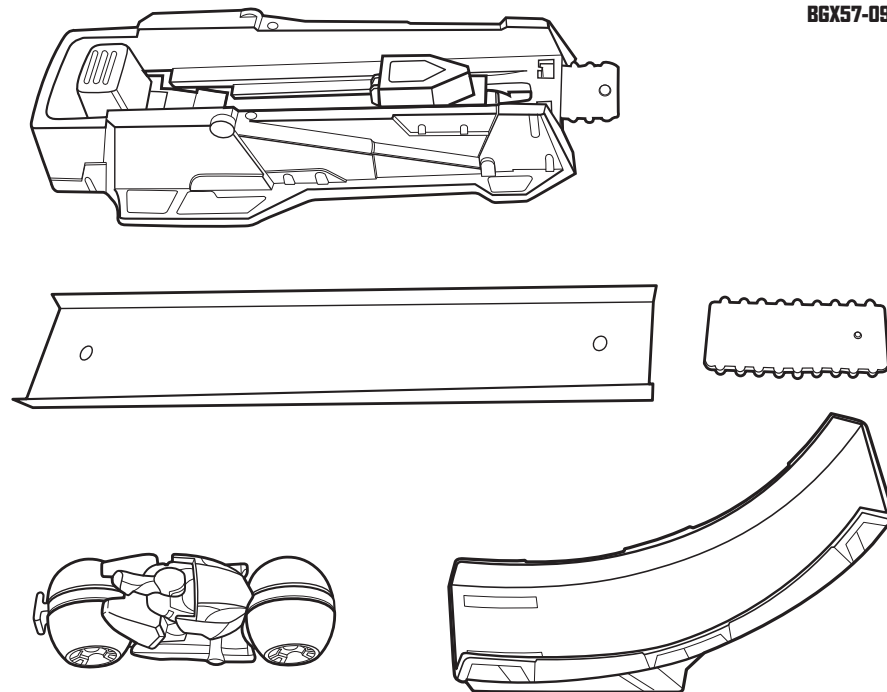
Please keep these instructions for future reference as they contain important information.

1 CONTENTS

4+



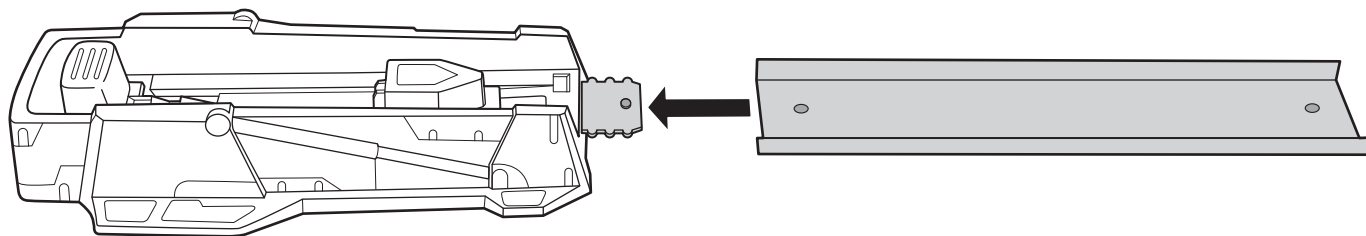
BGX57-0920



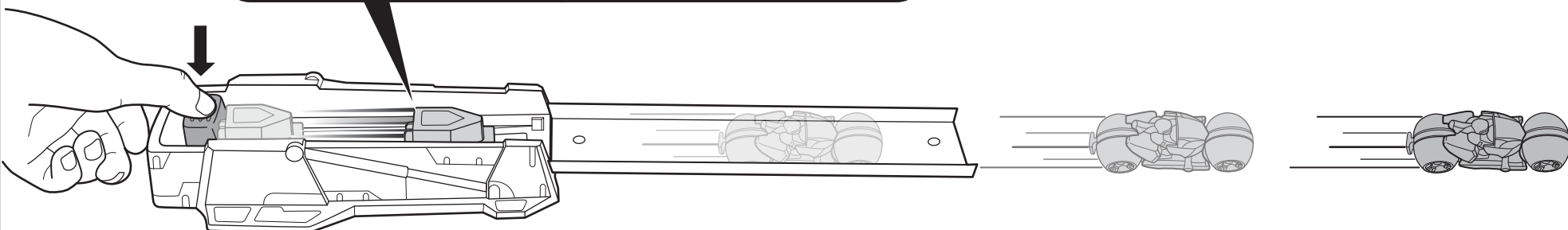
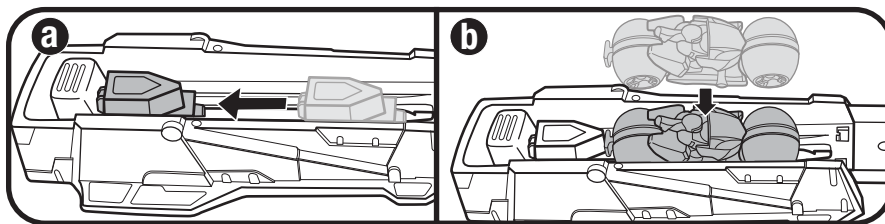
©2013 Mattel. All Rights Reserved. Mattel, Inc., 636 Girard Avenue, East Aurora, NY 14052, U.S.A. Consumer Relations 1-800-524-8697. Mattel U.K. Ltd., Vanwall Business Park, Maidenhead SL6 4UB. Helpline 01628 500303. Mattel Australia Pty., Ltd., Richmond, Victoria. 3121. Consumer Advisory Service - 1300 135 312. Mattel East Asia Ltd., Room 503-09, North Tower, World Finance Centre, Harbour City, Tsimshatsui, HK, China. Diimport & Diedarkan Oleh: Mattel SEA Ptd Ltd. (993532-P) Lot 13.5, 13th Floor, Menara Lien Hoe, Persiaran Tropicana Golf Country Resort, 47410 PJ. Malaysia. Tel:03-78803817, Fax:03-78803867. service.mattel.com

2 TO PLAY

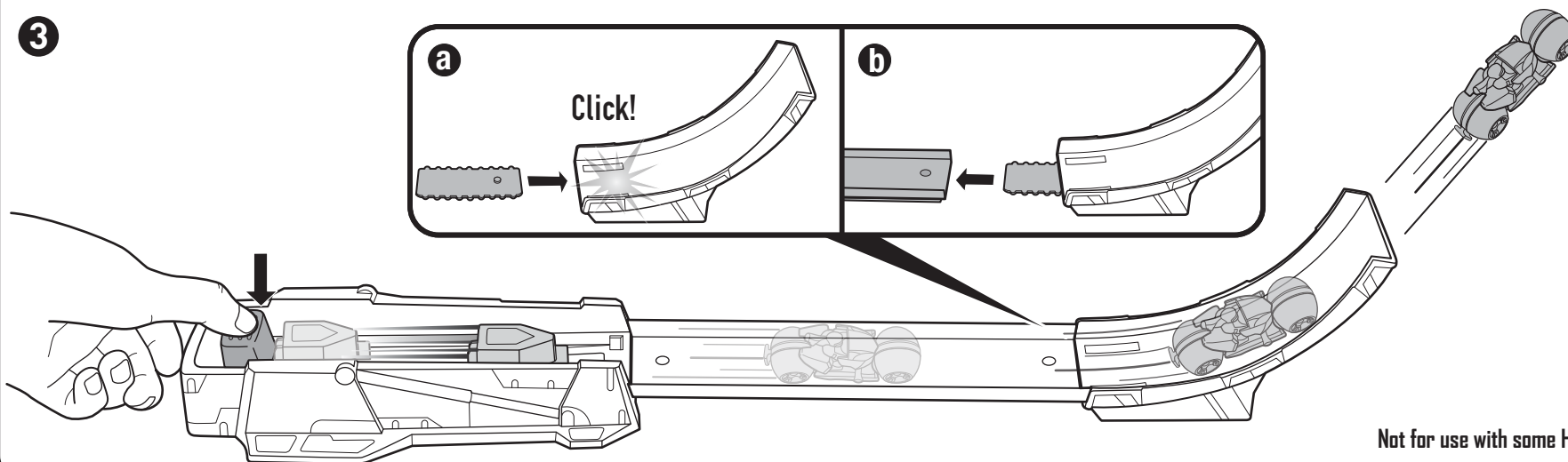
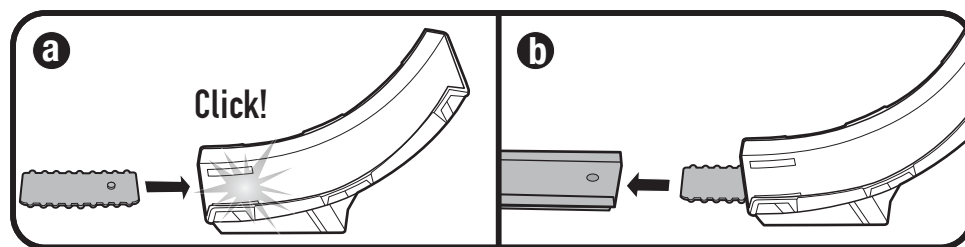
1



2



3



Not for use with some Hot Wheels® vehicles.