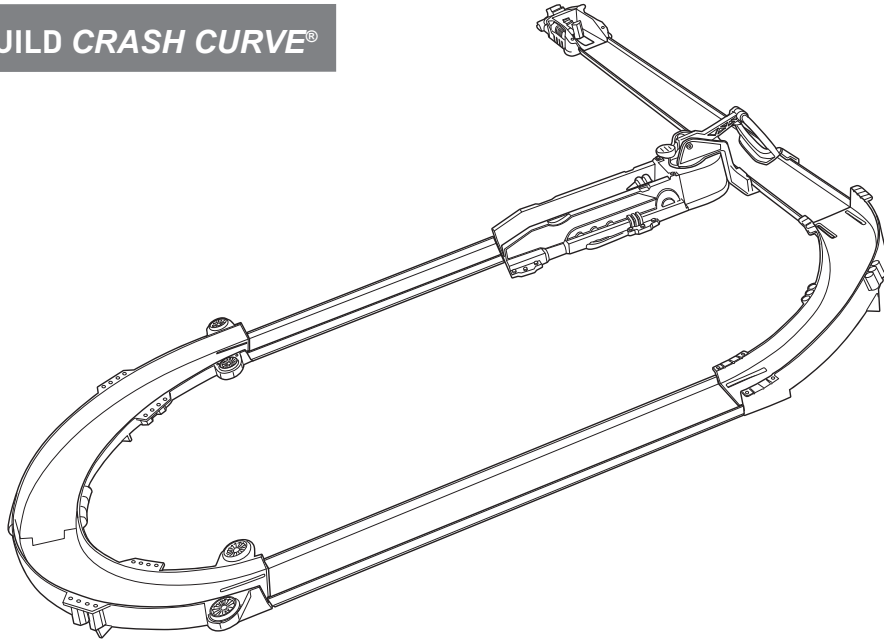


CONNECT & COMBINE TRACK BUILDER STUNTS AND ACCESSORIES TO CREATE TONS OF DIFFERENT SET-UPS!

BUILD CRASH CURVE®



TO BUILD THIS TRACK, YOU WILL NEED:

SIDE SHOT LAUNCHER™ stunt

TRACK ESSENTIALS™ CURVE PACK

(3 pieces of straight track, 3 pieces of curved track,
4 track connectors and the 3-speed launcher from this pack)

EACH SOLD SEPARATELY, SUBJECT TO AVAILABILITY.

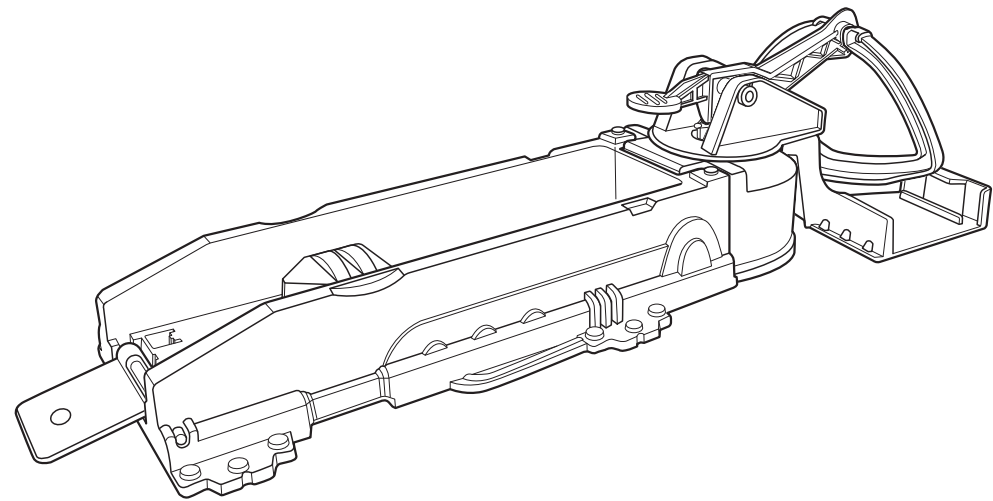
FOR MORE TRACK BUILDS, GO TO:

HOTWHEELS.COM/TRACKBUILDER



TRACK BUILDER

SIDE SHOT LAUNCHER™ STUNT



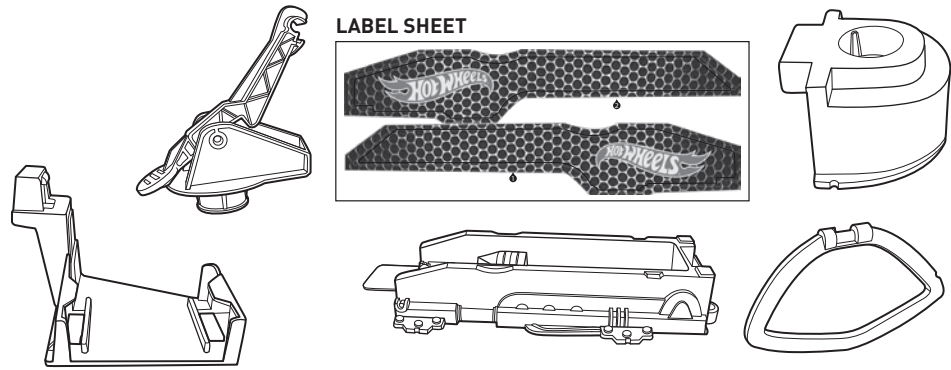
4+

service.mattel.com
HOTWHEELS.COM

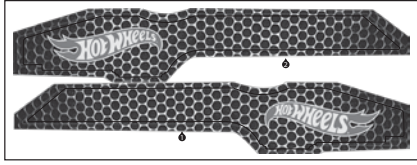


ASST.BGX66
BGX69-0920

PLEASE KEEP THESE INSTRUCTIONS FOR FUTURE REFERENCE AS THEY CONTAIN IMPORTANT INFORMATION.

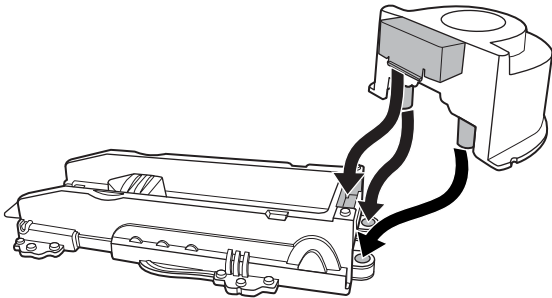


LABEL SHEET

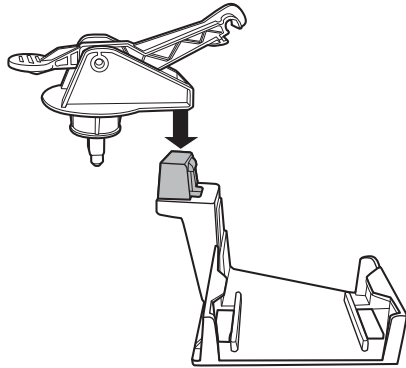


ASSEMBLY

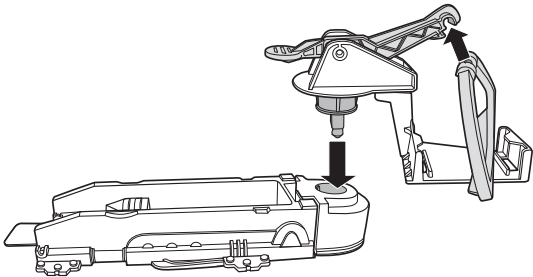
1.



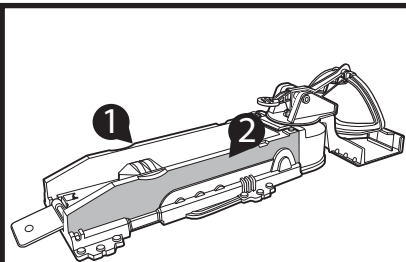
2.



3.

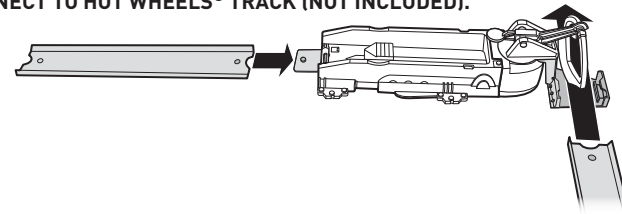


APPLY LABELS

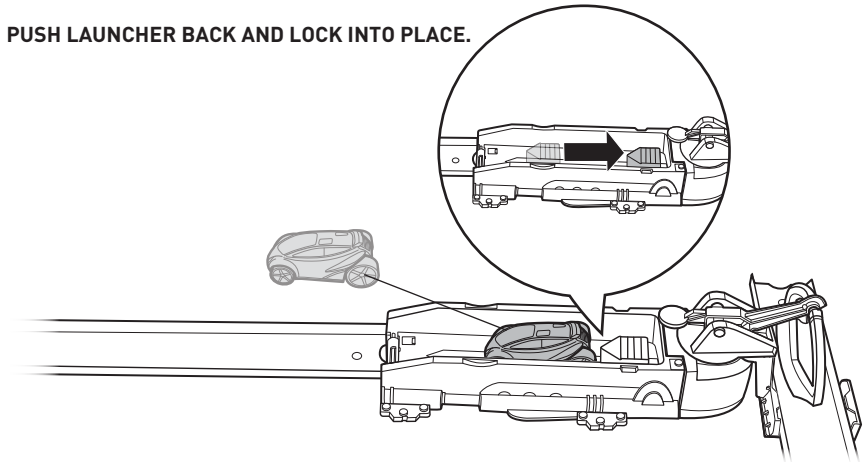


TO PLAY

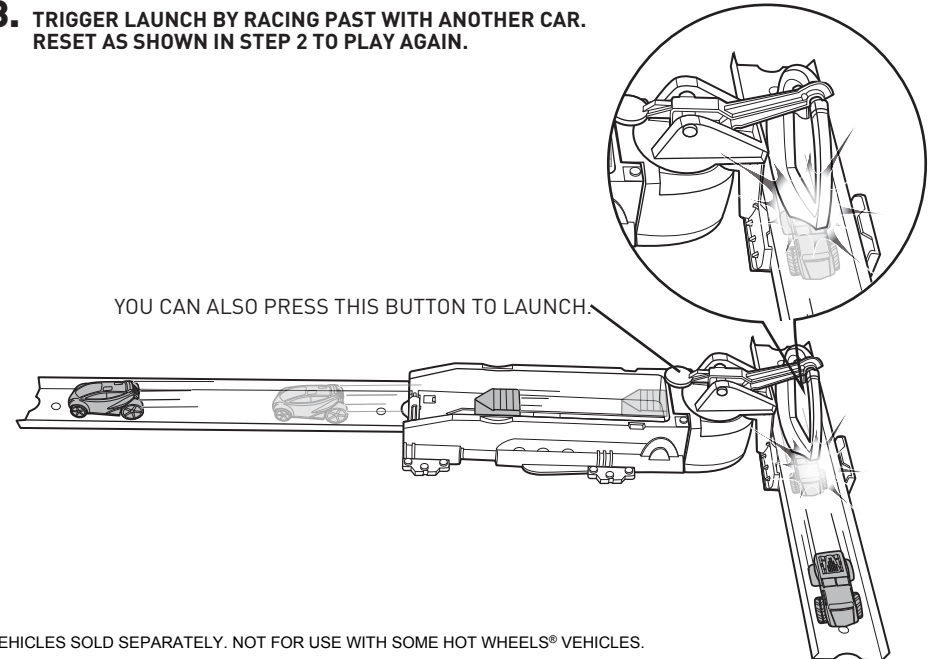
1. CONNECT TO HOT WHEELS® TRACK (NOT INCLUDED).



2. PUSH LAUNCHER BACK AND LOCK INTO PLACE.



3. TRIGGER LAUNCH BY RACING PAST WITH ANOTHER CAR. RESET AS SHOWN IN STEP 2 TO PLAY AGAIN.



VEHICLES SOLD SEPARATELY. NOT FOR USE WITH SOME HOT WHEELS® VEHICLES.