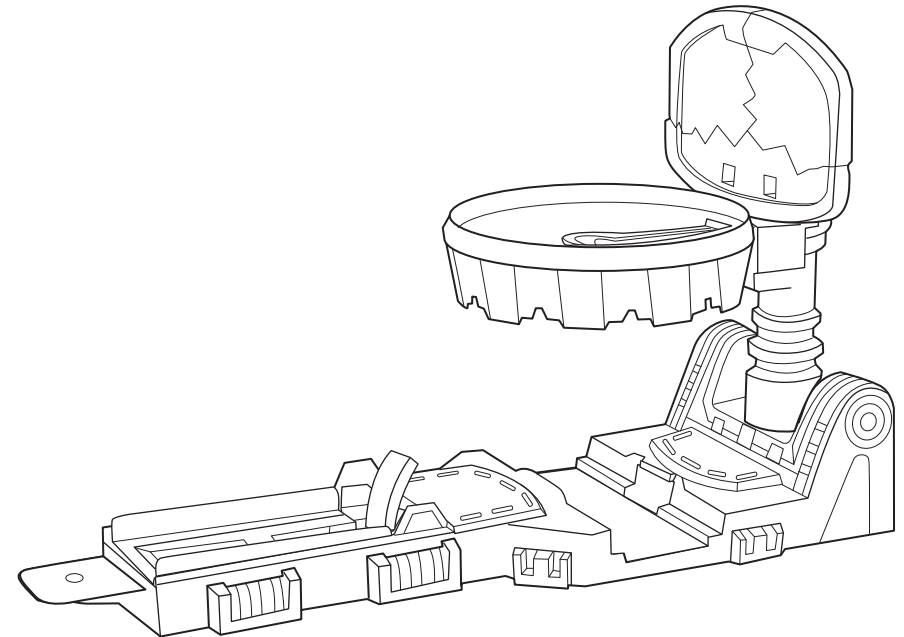
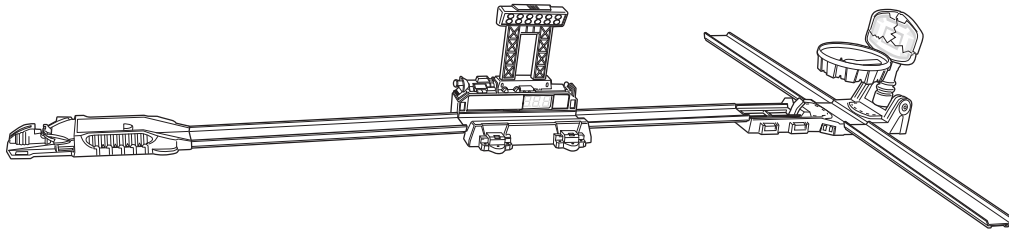


CONNECT & COMBINE TRACK BUILDER STUNTS AND ACCESSORIES TO CREATE TONS OF DIFFERENT SET-UPS!

BUILD STREET SPEED CHALLENGE™



TRACK BUILDER HOOP SHOT STUNT



TO BUILD THIS TRACK, YOU WILL NEED:

- HOOP SHOT stunt
- DIGITAL SPEEDOMETER accessory
- TRACK ESSENTIALS™ LAUNCH PACK
(4 pieces of straight track and the 3-speed launcher from this pack)

EACH SOLD SEPARATELY, SUBJECT TO AVAILABILITY.

FOR MORE TRACK BUILDS, GO TO:

HOTWHEELS.COM/TRACKBUILDER

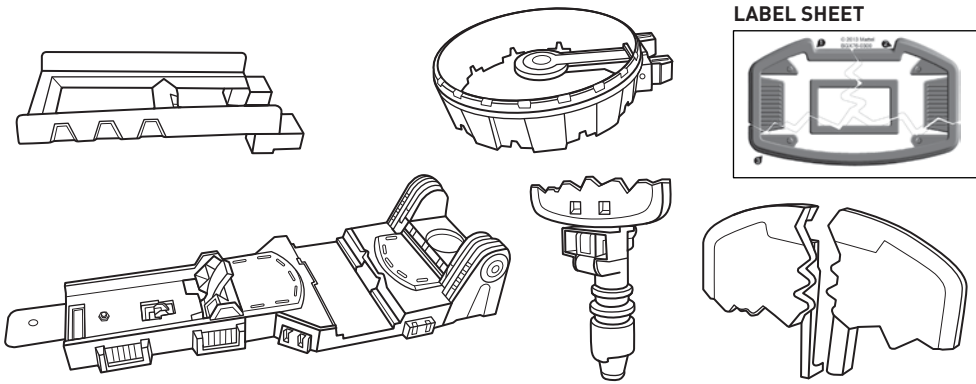
4+

service.mattel.com
HOTWHEELS.COM

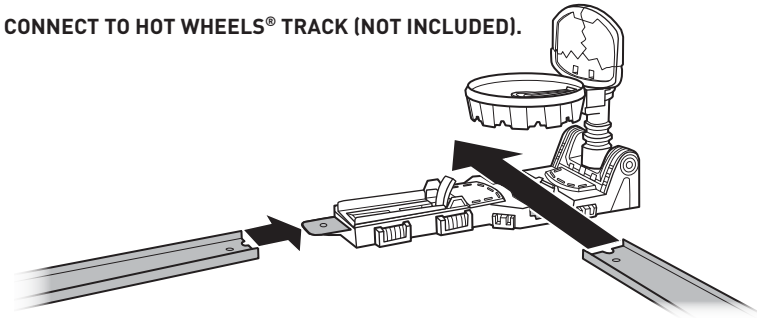


ASST.BGX75
BGX76-0920

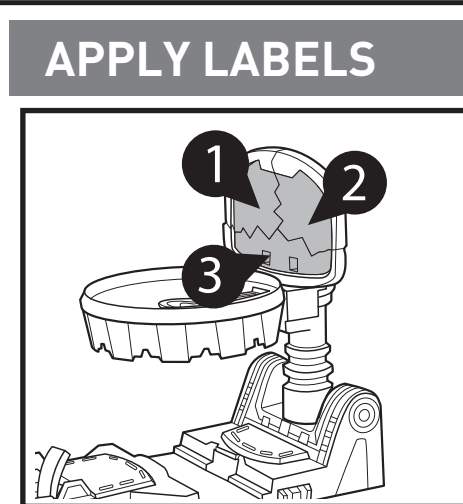
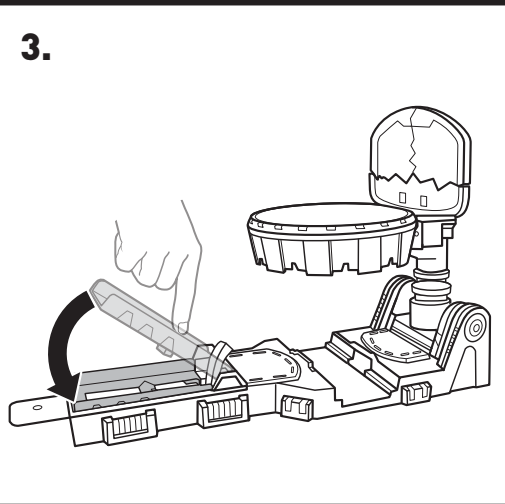
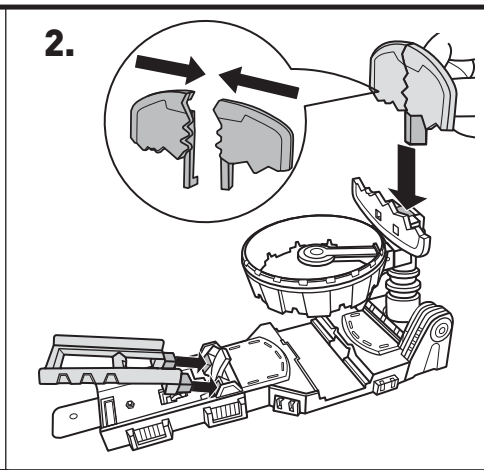
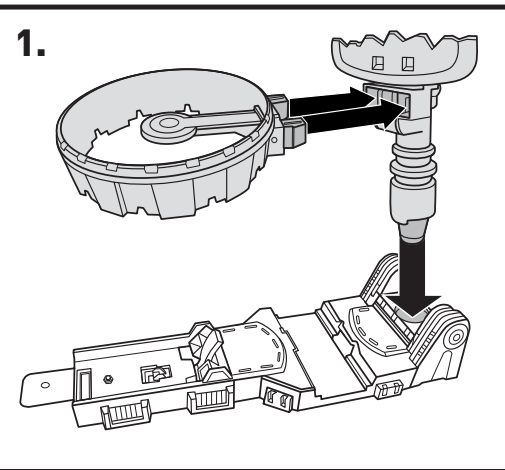
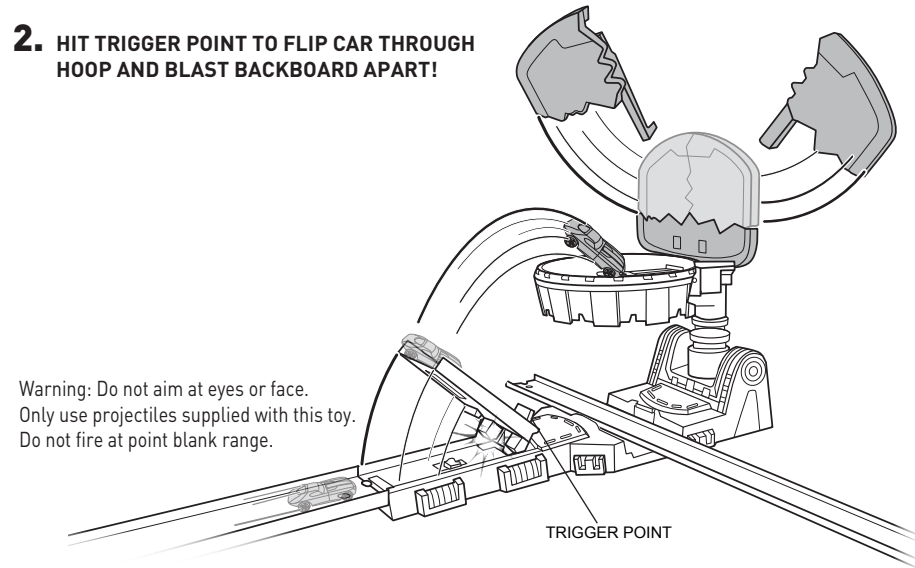
PLEASE KEEP THESE INSTRUCTIONS FOR FUTURE REFERENCE AS THEY CONTAIN IMPORTANT INFORMATION.



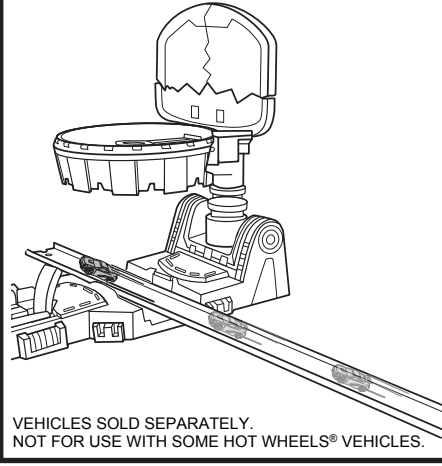
1. CONNECT TO HOT WHEELS® TRACK (NOT INCLUDED).



2. HIT TRIGGER POINT TO FLIP CAR THROUGH HOOP AND BLAST BACKBOARD APART!



3. YOU CAN ALSO RACE BELOW THE STUNT!



4. RESET TO PLAY AGAIN!

