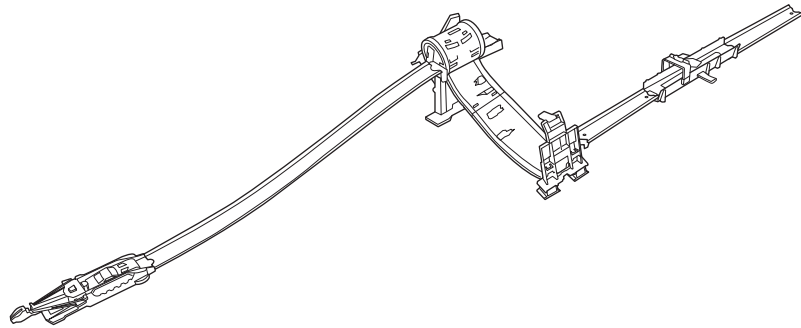


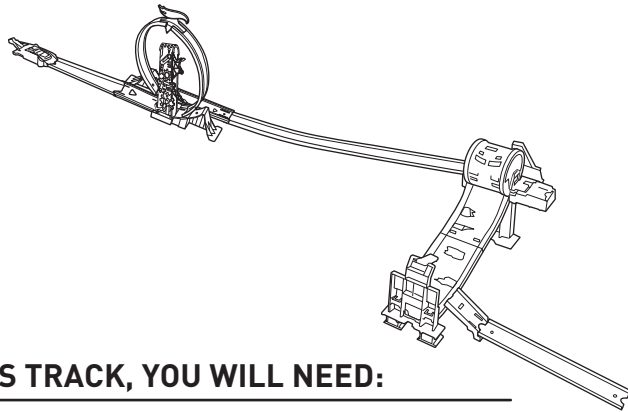
MORE WAYS TO PLAY

CONNECT & COMBINE TRACK BUILDER STUNTS AND ACCESSORIES TO CREATE TONS OF DIFFERENT SET-UPS!



TO BUILD THIS TRACK, YOU WILL NEED:

STUNT BARREL stunt TRACK ESSENTIALS™ LAUNCH PACK



TO BUILD THIS TRACK, YOU WILL NEED:

**STUNT BARREL stunt QUICK KICK LOOP™ stunt
TRACK ESSENTIALS™ CURVE PACK**

EACH SOLD SEPARATELY, SUBJECT TO AVAILABILITY.

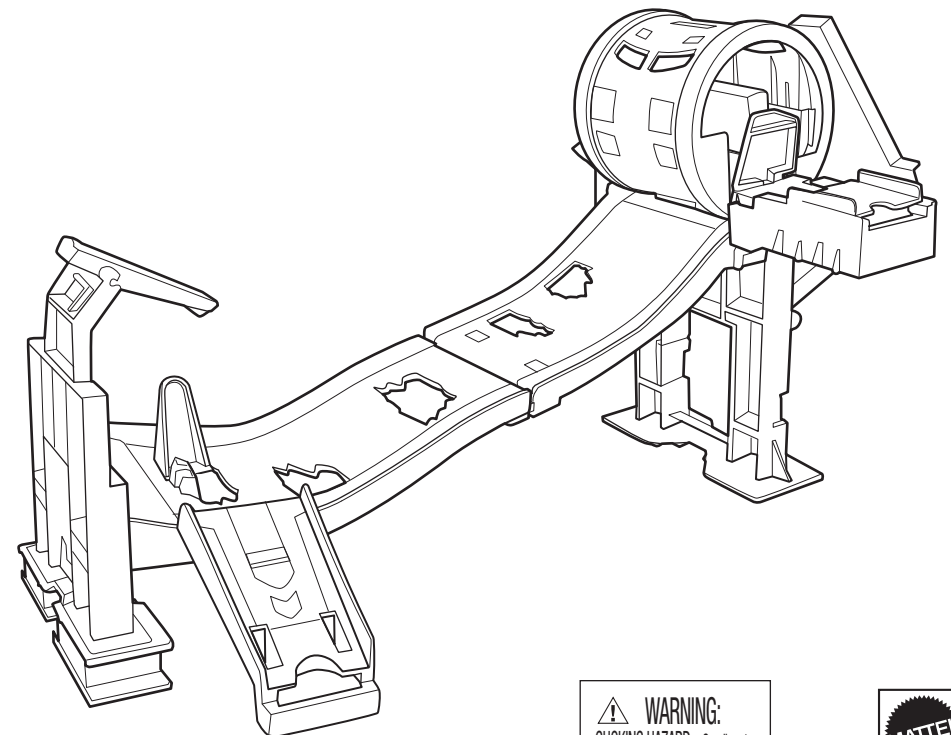
FOR MORE TRACK BUILDS, GO TO:

HOTWHEELS.COM/TRACKBUILDER

INSTRUCTIONS



TRACK BUILDER STUNT BARREL STUNT

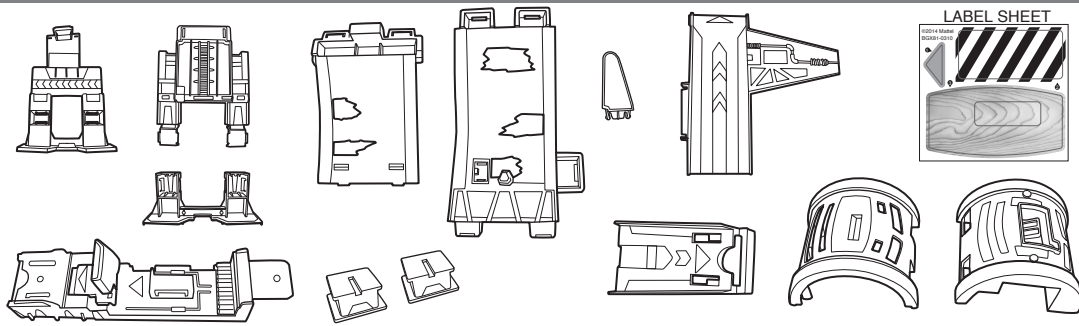


ASST.BGX75
BGX81-0920

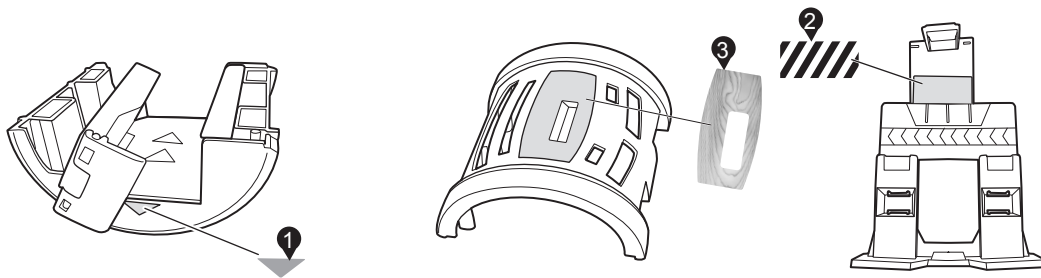
4+

service.mattel.com
HOTWHEELS.COM

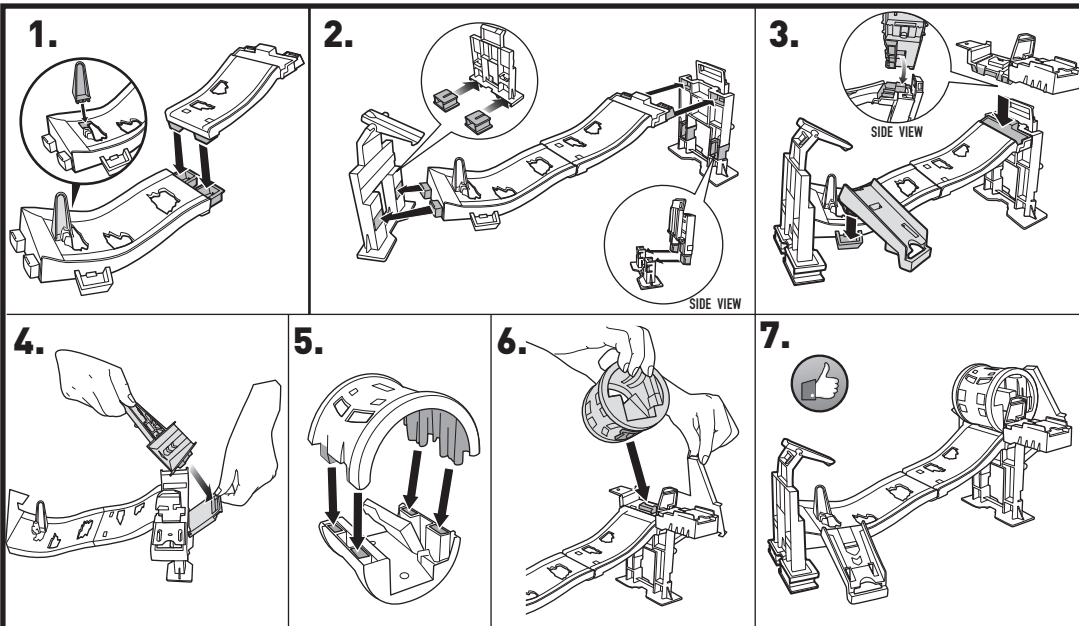
CONTENTS



APPLY LABELS

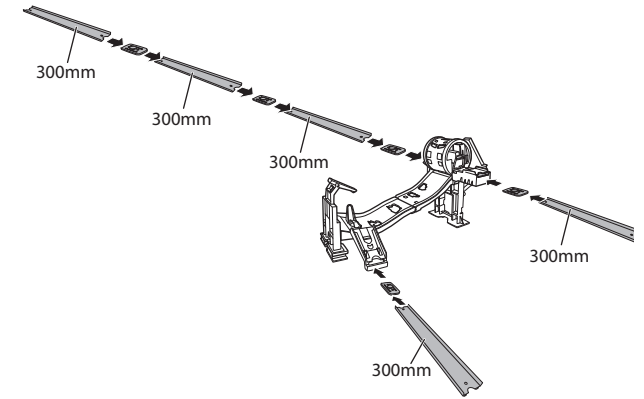


ASSEMBLY

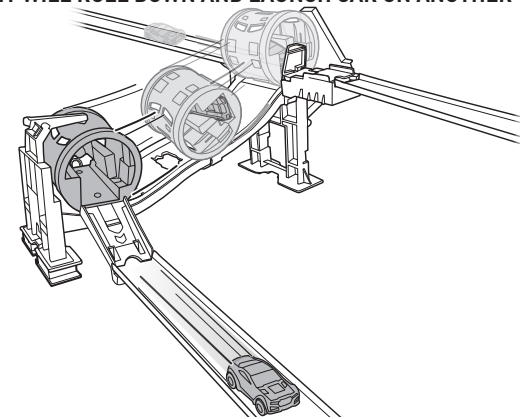


TO PLAY

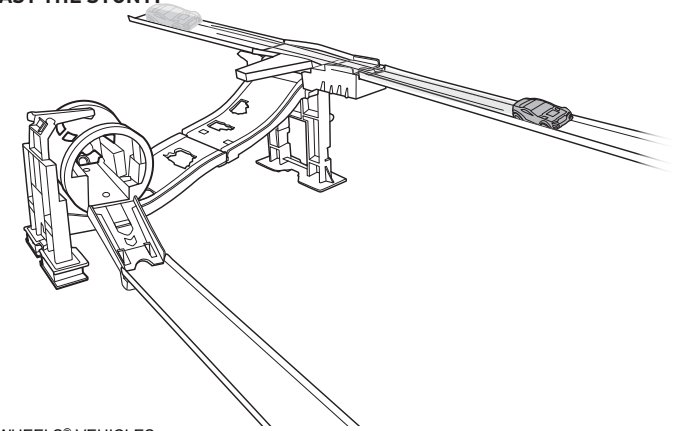
1. CONNECT TO HOT WHEELS® TRACK AND TRACK CONNECTORS (NOT INCLUDED).



2. RACE INTO THE BARREL. IT WILL ROLL DOWN AND LAUNCH CAR ON ANOTHER TRACK!



3. YOU CAN ALSO RACE PAST THE STUNT!



VEHICLES SOLD SEPARATELY.
NOT FOR USE WITH SOME HOT WHEELS® VEHICLES.