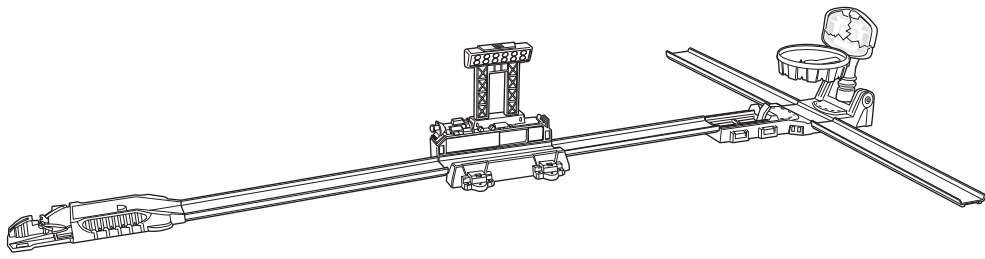


This is a battery-operated product. 1 flyer (00001-1373 G1) is required to be placed inside the packaging.

MORE WAYS TO PLAY

CONNECT & COMBINE TRACK BUILDER STUNTS AND ACCESSORIES TO CREATE TONS OF DIFFERENT SET-UPS!

BUILD STREET SPEED CHALLENGE™



TO BUILD THIS TRACK, YOU WILL NEED:

HOOP SHOT stunt

DIGITAL SPEEDOMETER accessory

TRACK ESSENTIALS™ LAUNCH PACK

(4 pieces of straight track and the 3-speed launcher from this pack)

EACH SOLD SEPARATELY, SUBJECT TO AVAILABILITY.

FOR MORE TRACK BUILDS, GO TO:

HOTWHEELS.COM /TRACKBUILDER

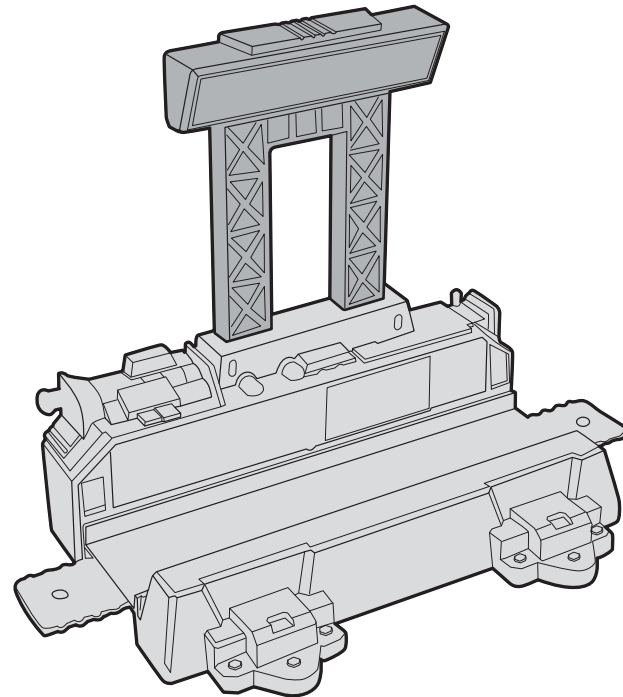
©2013 Mattel. All Rights Reserved. Mattel, Inc., 636 Girard Avenue, East Aurora, NY 14052, U.S.A. Consumer Relations 1-800-524-8697. Mattel U.K. Ltd., Vanwall Business Park, Maidenhead SL6 4UB. Helpline 01628 500303. Mattel Australia Pty., Ltd., Richmond, Victoria, 3121. Consumer Advisory Service - 1300 135 312. Mattel East Asia Ltd., Room 1106, South Tower, World Finance Centre, Harbour City, Tsimshatsui, HK, China. Diimport & Diedarkan Oleh: Mattel SEA Ptd Ltd. (993532-P) Lot 13.5, 13th Floor, Menara Lien Hoe, Persiaran Tropicana Golf Country Resort, 47410 PJ. Tel:03-78803817, Fax:03-78803867.

INSTRUCTIONS



TRACK BUILDER

DIGITAL SPEEDOMETER ACCESSORY



REQUIRES 3 "AAA" (LR03) ALKALINE BATTERIES (NOT INCLUDED). DISPOSE OF BATTERIES SAFELY.

4+

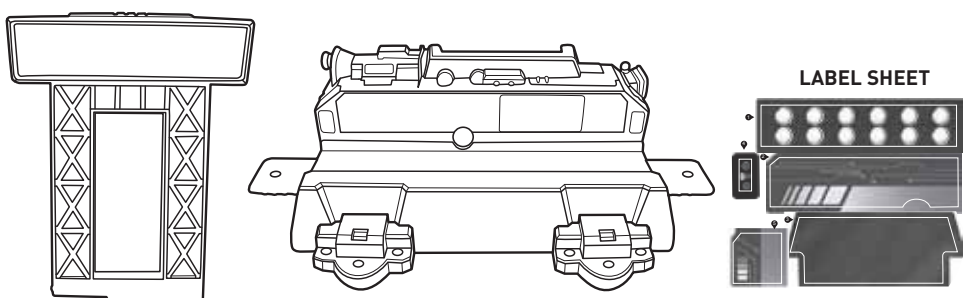
service.mattel.com
HOTWHEELS.COM



ASST.BGX82
BGX83-0920

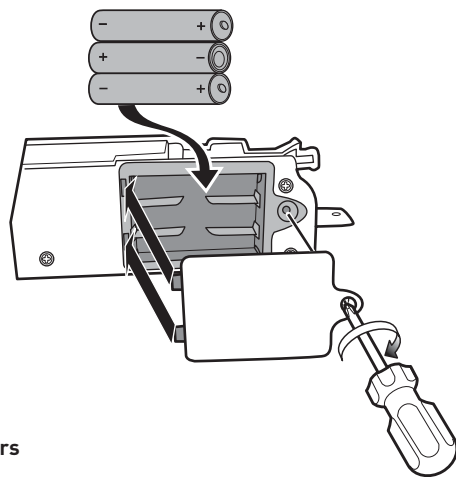
PLEASE KEEP THESE INSTRUCTIONS FOR FUTURE REFERENCE AS THEY CONTAIN IMPORTANT INFORMATION.

CONTENTS



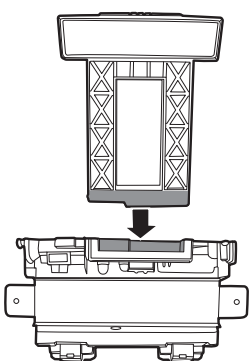
BATTERY INSTALLATION

- Unscrew the battery cover with a Phillips head screwdriver (not included).
- Install 3 "AAA" (LR03) batteries in the orientation (+/-) shown.
- Replace battery cover and tighten screw.
- For best performance, use only alkaline batteries.
- Replace batteries when the digital display dims.

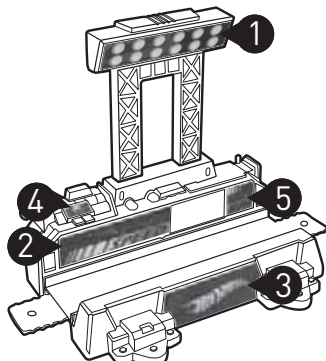


Note: This product works better indoors than outdoors where sunlight can sometimes interfere with the I/R.

ASSEMBLY

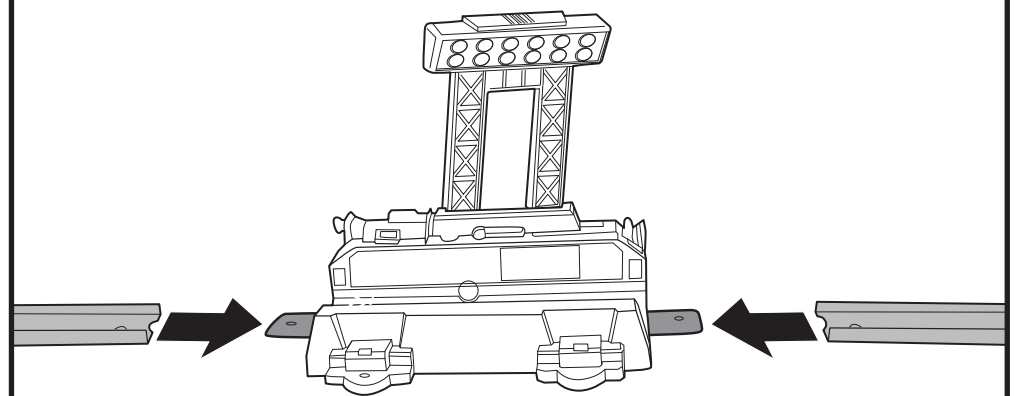


APPLY LABELS

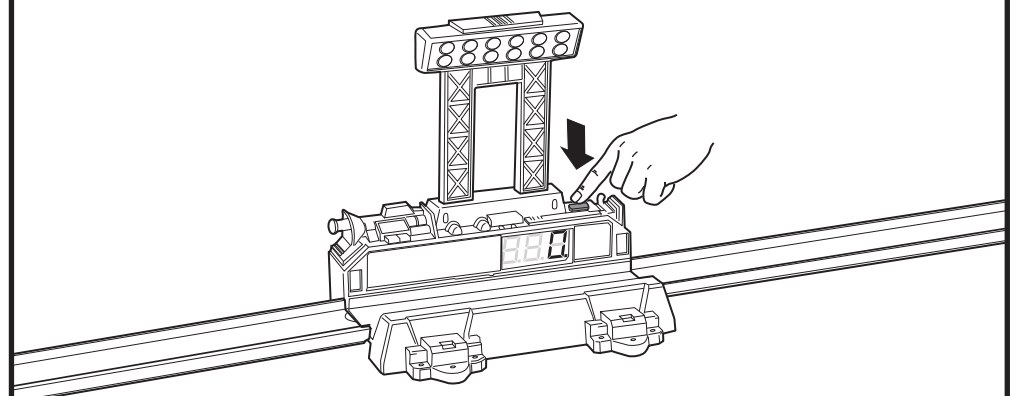


TO PLAY

1. CONNECT TO HOT WHEELS® TRACK (NOT INCLUDED).

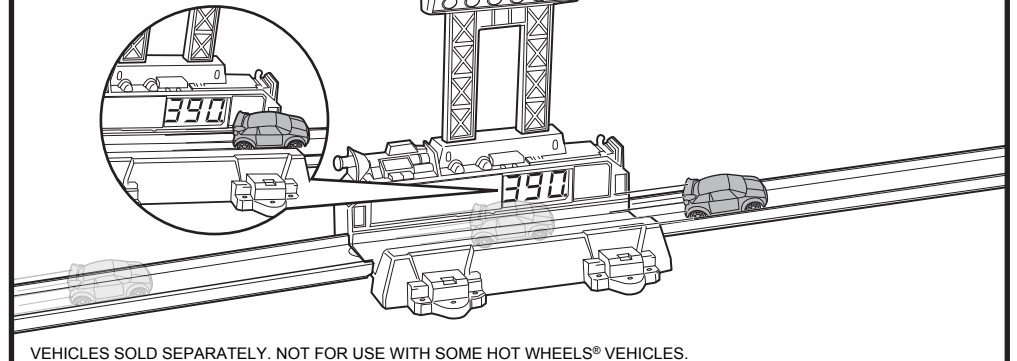


2. PRESS BUTTON TO ACTIVATE DIGITAL DISPLAY.



3. RACE THROUGH TO MEASURE HOT WHEELS® SPEED! Speed measurement is only an approximation.

DIGITAL SPEED READ-OUT



VEHICLES SOLD SEPARATELY. NOT FOR USE WITH SOME HOT WHEELS® VEHICLES.