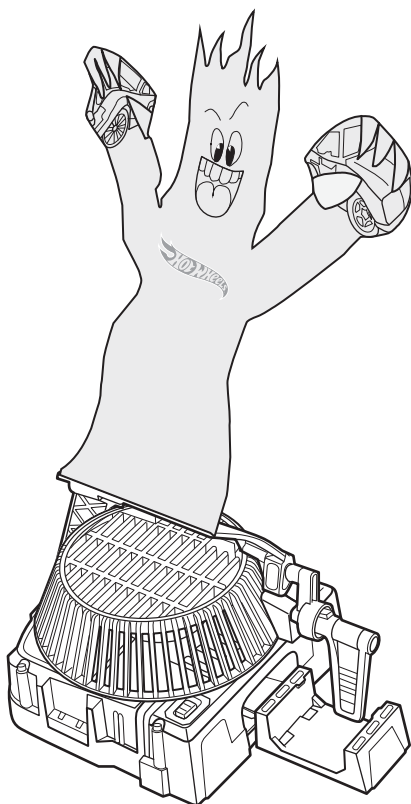




TRACK BUILDER FAN MAN™ STUNT



4+

service.mattel.com
HOTWHEELS.COM

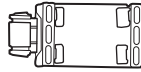
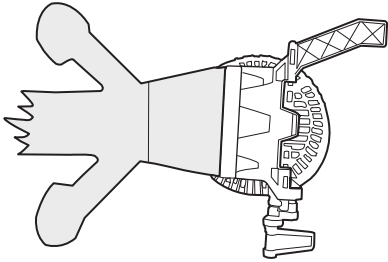
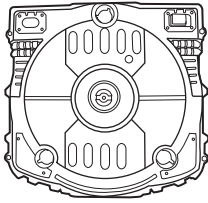


ASST.BGX82
BGX85-1100183345

Requires 2 "C" size (LR14) alkaline batteries, not included.
Dispose of battery(ies) safely.

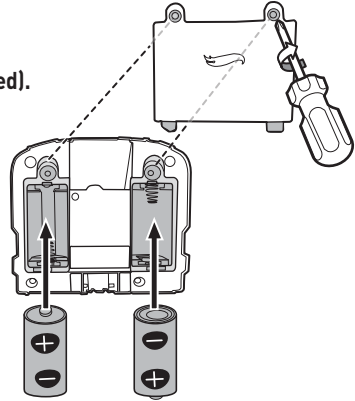
PLEASE KEEP THESE INSTRUCTIONS FOR FUTURE
REFERENCE AS THEY CONTAIN IMPORTANT INFORMATION.

CONTENTS



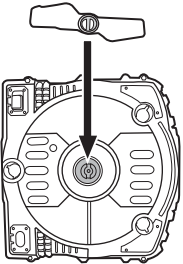
BATTERY INSTALLATION

- Unscrew the battery cover with a Phillips head screwdriver (not included).
- Install 2“C” size (LR14) alkaline batteries (not included) in the orientation (+/-) shown.
- Replace battery cover and tighten screws.
- For longer life use alkaline batteries.
- Replace batteries when fan slows and cannot keep figure aloft.

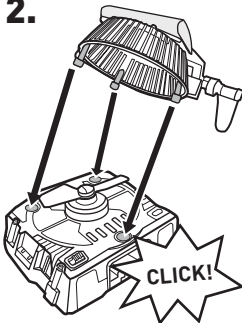


ASSEMBLY

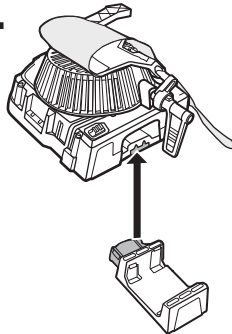
1.



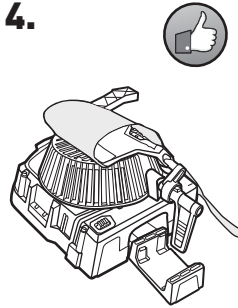
2.



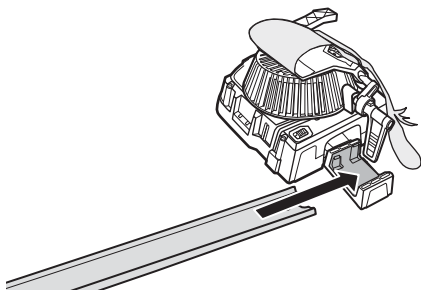
3.



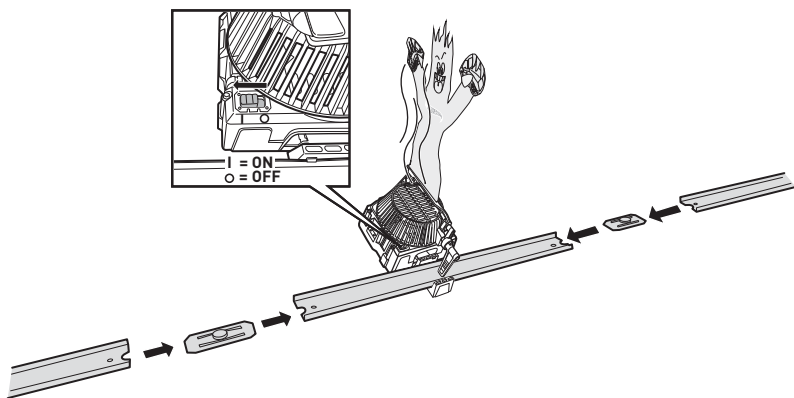
4.



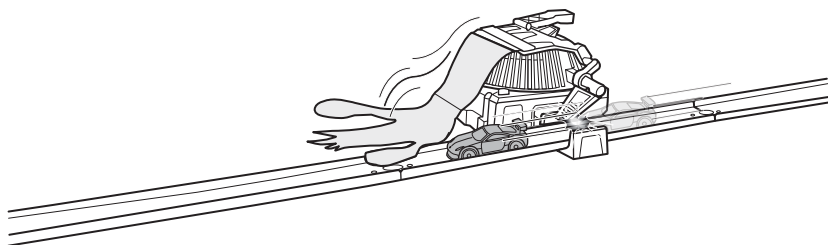
1. CONNECT TO HOT WHEELS® TRACK AND TRACK CONNECTORS (NOT INCLUDED).



2. SWITCH THE FAN ON (!)



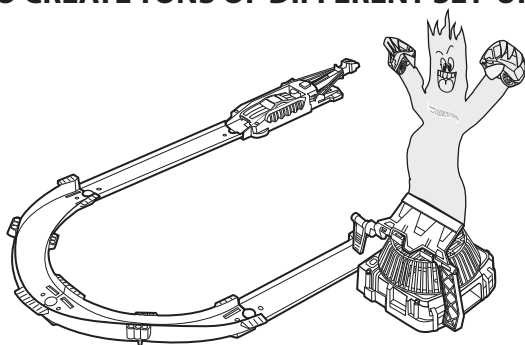
3. RACE PAST TO COLLAPSE THE FIGURE!



VEHICLES SOLD SEPARATELY. NOT FOR USE WITH SOME HOT WHEELS® VEHICLES.

MORE WAYS TO PLAY

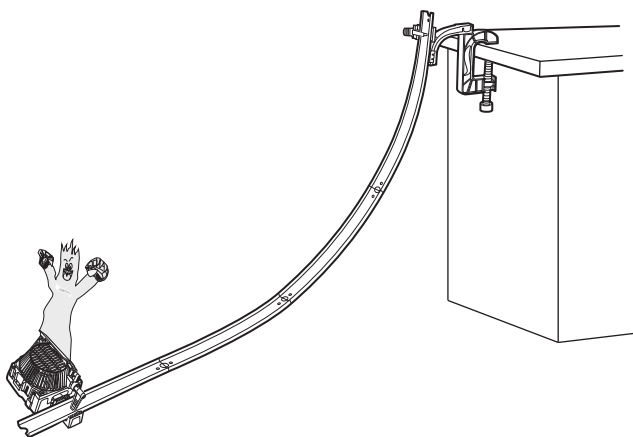
CONNECT & COMBINE TRACK BUILDER STUNTS AND ACCESSORIES TO CREATE TONS OF DIFFERENT SET-UPS!



TO BUILD THIS TRACK, YOU WILL NEED:

TRACK ESSENTIALS™ CURVE PACK

FAN MAN™ stunt



TO BUILD THIS TRACK, YOU WILL NEED:

FAN MAN™ stunt

TRACK ESSENTIALS™ GRAVITY PACK stunt

EACH SOLD SEPARATELY, SUBJECT TO AVAILABILITY.

FOR MORE TRACK BUILDS, GO TO:

***HOTWHEELS.COM*/TRACKBUILDER**

©2014 Mattel. All Rights Reserved. Mattel, Inc., Mattel, Inc., 636 Girard Avenue, East Aurora, NY 14052, U.S.A. Consumer Services 1-800-524-8697. Mattel U.K. Ltd., Vanwall Business Park, Maidenhead SL6 4UB. Helpline 01628 500303. Mattel Australia Pty., Ltd., Richmond, Victoria. 3121. Consumer Advisory Service - 1300 135 312. Mattel East Asia Ltd., Room 503-09, North Tower, World Finance Centre, Harbour City, Tsimshatsui, HK, China. Diimport & Diedarkan Oleh: Mattel Southeast Asia Pte. Ltd., No 19-1, Tower 3 Avenue 7, Bangsar South City, No 8, Jalan Kerinchi, 59200 Kuala Lumpur, Malaysia. Tel: 03-78803817, Fax: 03-78803867.