

Fisher-Price®

BHB96
CFD39



Please keep this instruction sheet for future reference,
as it contains important information.

Requires three AA (LR6) **alkaline** batteries (not included).

Adult assembly is required.

Tool required: Phillips screwdriver (not included).

Wipe toy with a clean, damp cloth. Do not immerse.

This toy has no consumer serviceable parts. Do not take apart.

fisher-price.co.uk

Consumer Information



- Protect the environment by not disposing of this product with household waste (2002/96/EC). Check your local authority for recycling advice and facilities.



Great Britain: Vanwall Business Park, Maidenhead SL6 4UB. Helpline: 01628 500303. www.service.mattel.com/uk.

Mattel Europa B.V., Gondel 1, 1186 MJ Amstelveen, Nederland.

Australia: Mattel Australia Pty. Ltd., 658 Church Street, Locked Bag #870, Richmond, Victoria 3121 Australia. Consumer Advisory Service 1300 135 312.

New Zealand: 16-18 William Pickering Drive, Albany 1331, Auckland.

Asia: Mattel East Asia Ltd, Room 503-09, North Tower, World Finance Centre, Harbour City, Tsimshatsui, HK, China.

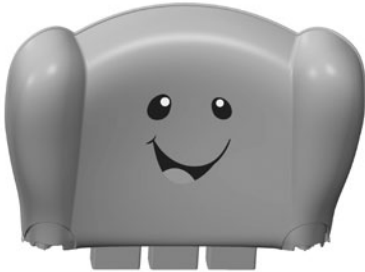
Malaysia: Diimport & Diedarkan Oleh: Mattel SEA Ptd Ltd. (993532-P) Lot 13.5, 13th Floor, Menara Lien Hoe, Persiaran Tropicana Golf Country Resort, 47410 PJ. Malaysia. Tel: 03-78803817, Fax: 03-78803867.

Assembled Parts



CAUTION

This package contains small parts. For adult assembly only.



Seat Back



Seat Bottom



2 Feet



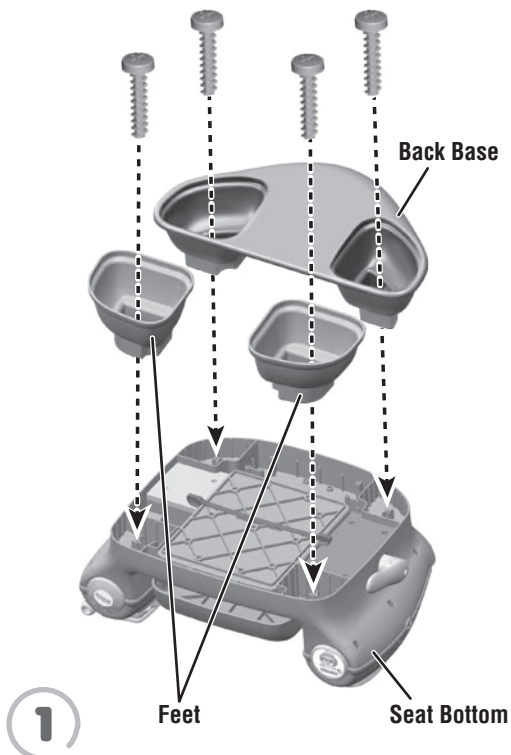
Back Base



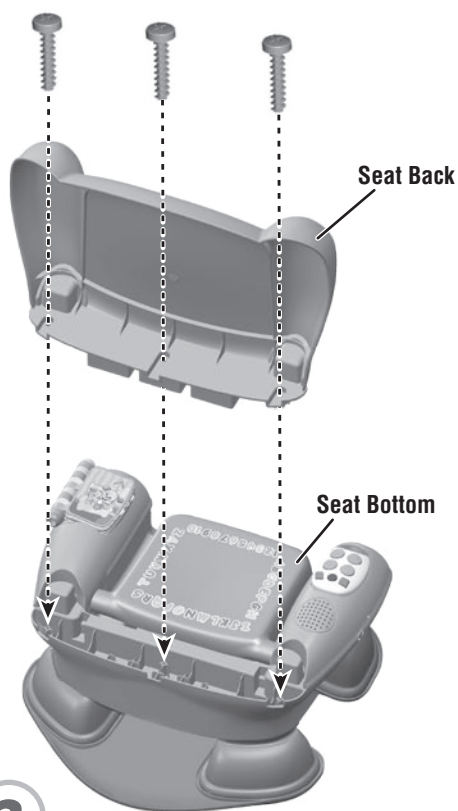
M4 x 16 mm Screws – 7
SHOWN ACTUAL SIZE

Tighten and loosen screws with a Phillips screwdriver. Do not over-tighten the screws.

Assembly

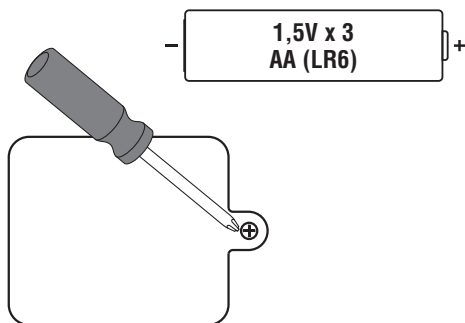


- Place both feet onto the seat bottom.
Hint: Each foot is designed to fit the seat bottom one way. If a foot does not seem to fit, try the other one.
- Place the back base onto the seat bottom.
- Insert a screw into each foot and two screws into the back base. Tighten the screws.



- Fit the seat back into the slot in the seat bottom.
- Insert **three** screws into the seat back and tighten.

Battery Installation



- For longer life, use **alkaline** batteries.
- Loosen the screw in the battery compartment door and remove the door.
- Insert three, new AA (LR6) **alkaline** batteries.
- Replace the battery compartment door and tighten the screw.
- If this toy begins to operate erratically you may need to reset the electronics. Remove the batteries and reinstall.
- When sound or lights from this toy become faint or stop, it's time for an adult to change the batteries.

Hint: After re-installing or changing batteries, you will need to re-input your child's age to use the automatic learning content feature. See next page to "Enter Baby's Age".



- Protect the environment by not disposing of this product with household waste (2002/96/EC). Check your local authority for recycling advice and facilities.

Battery Safety Information

In exceptional circumstances, batteries may leak fluids that can cause a chemical burn injury or ruin your product. To avoid battery leakage:

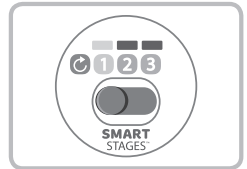
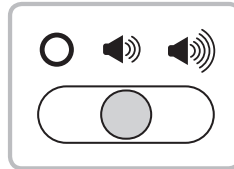
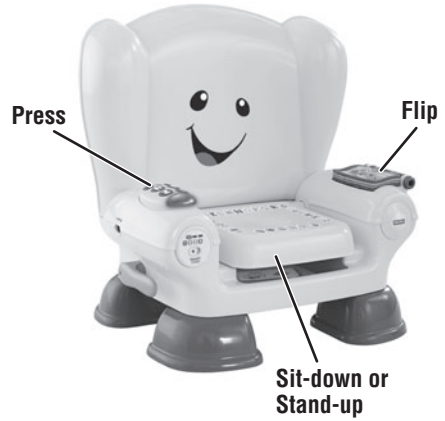
- Do not mix old and new batteries or batteries of different types: alkaline, standard (carbon-zinc) or rechargeable (nickel-cadmium).
- Insert batteries as indicated inside the battery compartment.
- Remove batteries during long periods of non-use. Always remove exhausted batteries from the product. Dispose of batteries safely. Do not dispose of this product in a fire. The batteries inside may explode or leak.
- Never short-circuit the battery terminals.
- Use only batteries of the same or equivalent type, as recommended.
- Do not charge non-rechargeable batteries.
- Remove rechargeable batteries from the product before charging.
- If removable, rechargeable batteries are used, they are only to be charged under adult supervision.

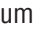


Enter Baby's Age



- After installing batteries, turn power on. Listen to the voice prompt to set your child's current age. Press the shape buttons on the arm of the chair:
 - ▲ Triangle to increase months of age.
 - Square to decrease months of age.
 - Circle to save your child's age.
- If you would like to reset the automatic age feature, simply insert a pointed object into the reset hole on the arm of the chair.

Learning as baby grows!



- Slide the power/volume switch to ON with low volume , ON with high volume  or OFF .
- Slide the Smart Stages™ mode switch to:
 - 1 Explore - 12M+**
Listen to simple words, phrases or songs!
 - 2 Encourage - 18M+**
This level expands on the introduction of numbers, opposites, actions and more.
 - 3 Pretend - 24M+**
Older babies can engage in imaginative play.