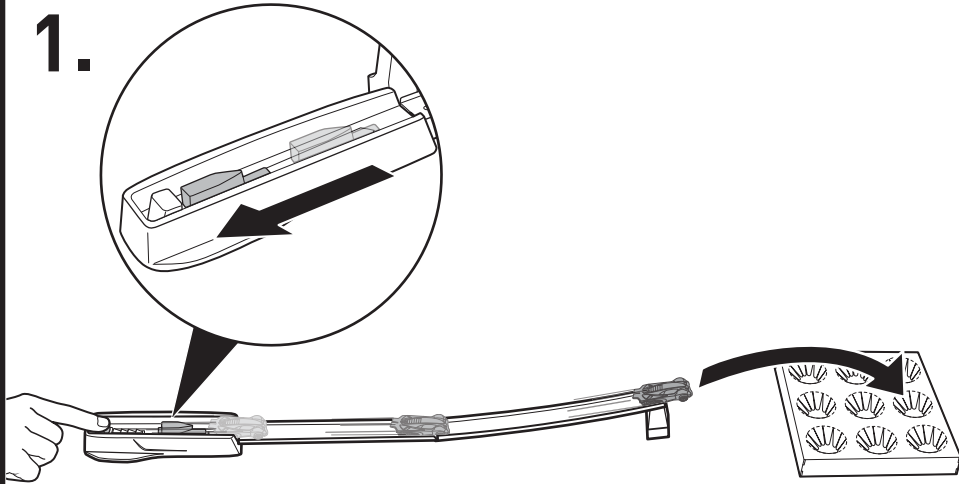


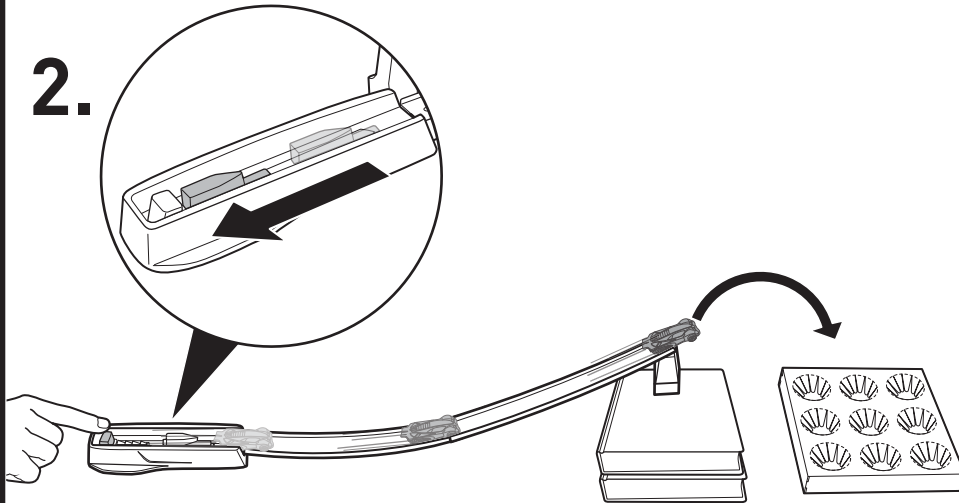
### 3 TO PLAY

1.



Try different launch settings to find the best performance.

2.



Add books for higher jumps!

NOT FOR USE WITH SOME HOT WHEELS® VEHICLES.



## JUMP & SCORE™

### INSTRUCTIONS

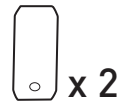
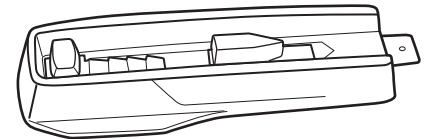
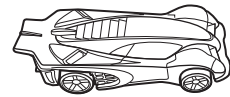
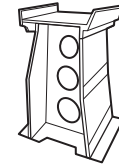
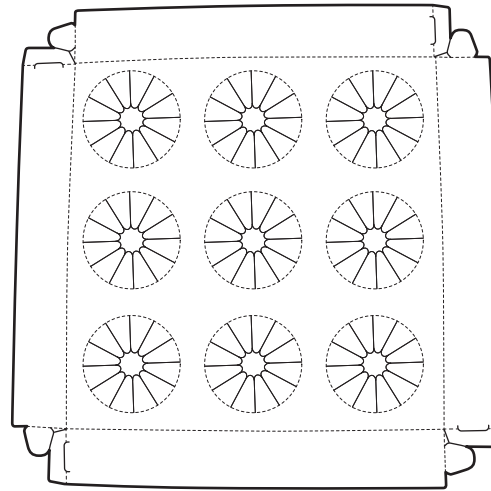
Please keep these instructions for future reference as they contain important information.

### 1 CONTENTS

4+



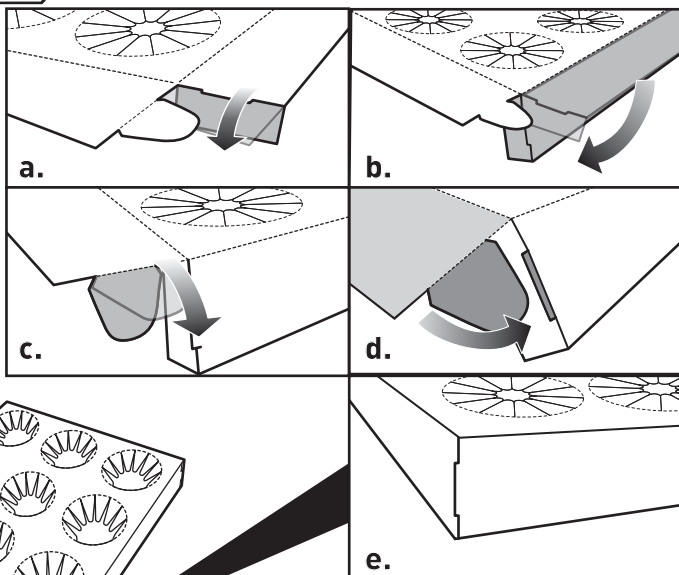
BGT62-0920  
ASST.BGH87



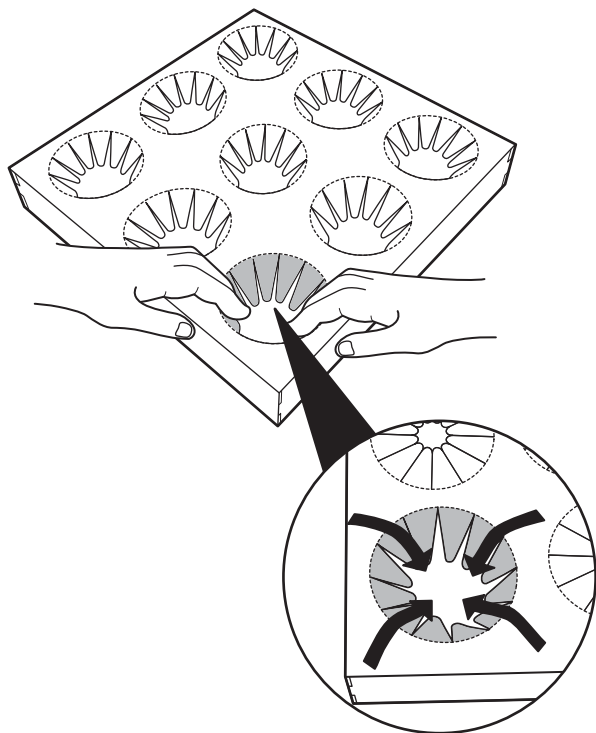
©2013 Mattel. All Rights Reserved. Mattel, Inc., 636 Girard Avenue, East Aurora, NY 14052, U.S.A. Consumer Relations 1-800-524-8697. Mattel U.K. Ltd., Vanwall Business Park, Maidenhead SL6 4UB. Helpline 01628 500303. Mattel Australia Pty., Ltd., Richmond, Victoria. 3121. Consumer Advisory Service - 1300 135 312. Mattel East Asia Ltd., Room 503-09, North Tower, World Finance Centre, Harbour City, Tsimshatsui, HK, China. Diimport & Diedarkan Oleh: Mattel SEA Ptd Ltd.(993532-P) Lot 13.5, 13th Floor, Menara Lien Hoe, Persiaran Tropicana Golf Country Resort, 47410 PJ, Malaysia. Tel:03-78803817, Fax:03-78803867.

service.mattel.com

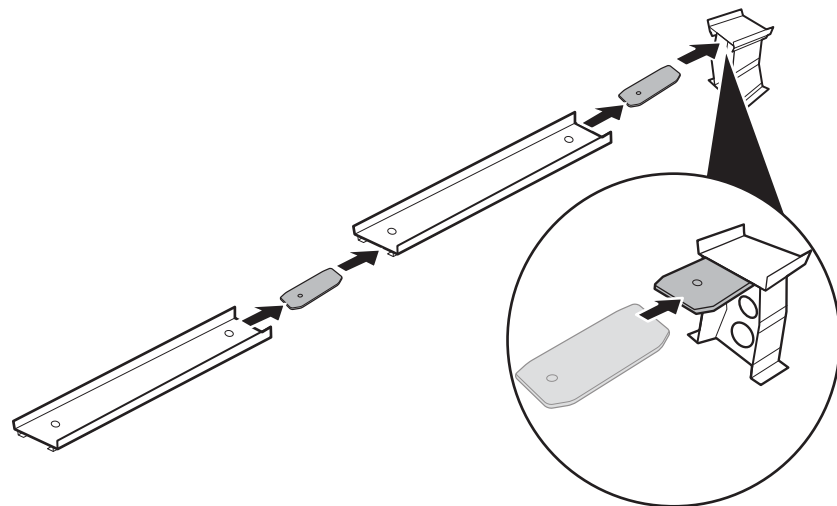
1. Assemble each corner as shown.



2. Fold all flaps down to complete the game board.



3.



4.

