

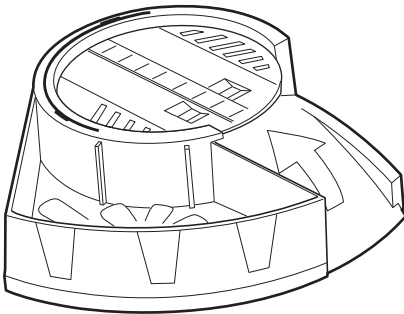


SPIN CYCLE™

INSTRUCTIONS

Keep these instructions for future reference as they contain important information.

1 CONTENTS



4+

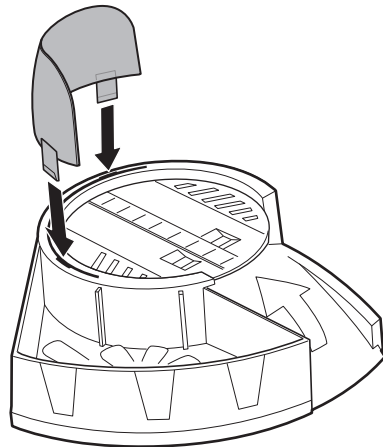


ASST. BGK00
BHN10-0920



2 ASSEMBLY

**Water toys sometimes get messy.
Protect play surfaces before use.**

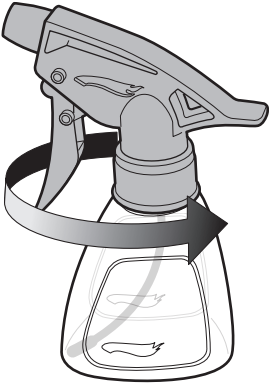


3

TO PLAY

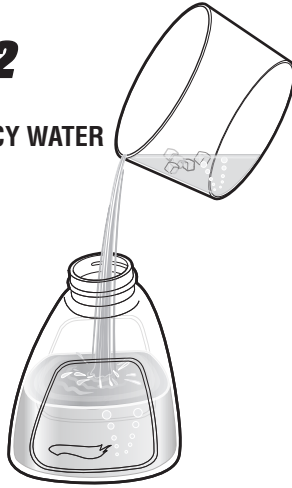
For best performance of color change feature, please use icy water under 50°F/10°C.

1



2

ICY WATER



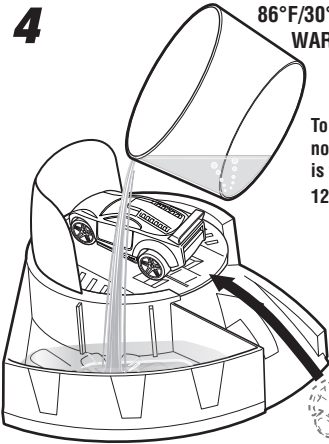
3



4

86°F/30°C-104°F/40°C
WARM WATER

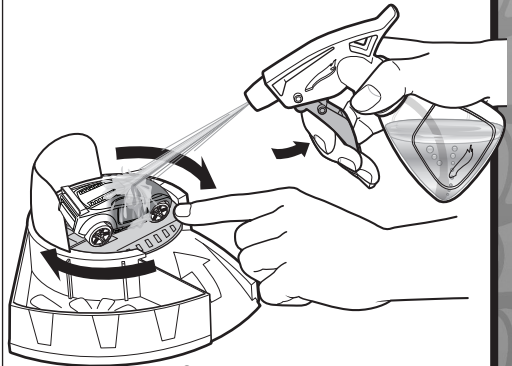
To avoid burns do not use water that is too hot, above 120°F/48°C.



Overfilling of reservoir may cause leakage.

5

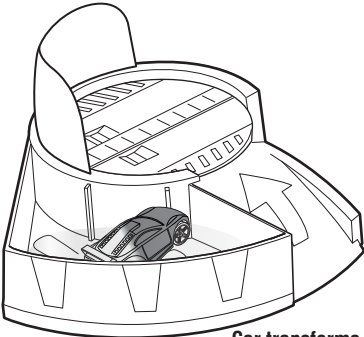
Spin platform to blast car from all sides.



Car transforms to cold water color.

6

Drain, rinse, clean and dry all items thoroughly before storing.



Car transforms to warm water color.

Warm-water tray can be used to store the spray bottle when not in use.

Color change will last longer if you do not expose this toy to intense heat or direct sunlight for prolonged periods of time.

